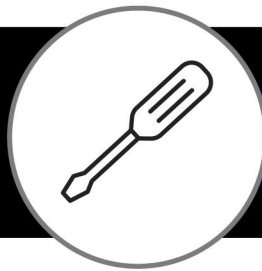


Assembly Guide

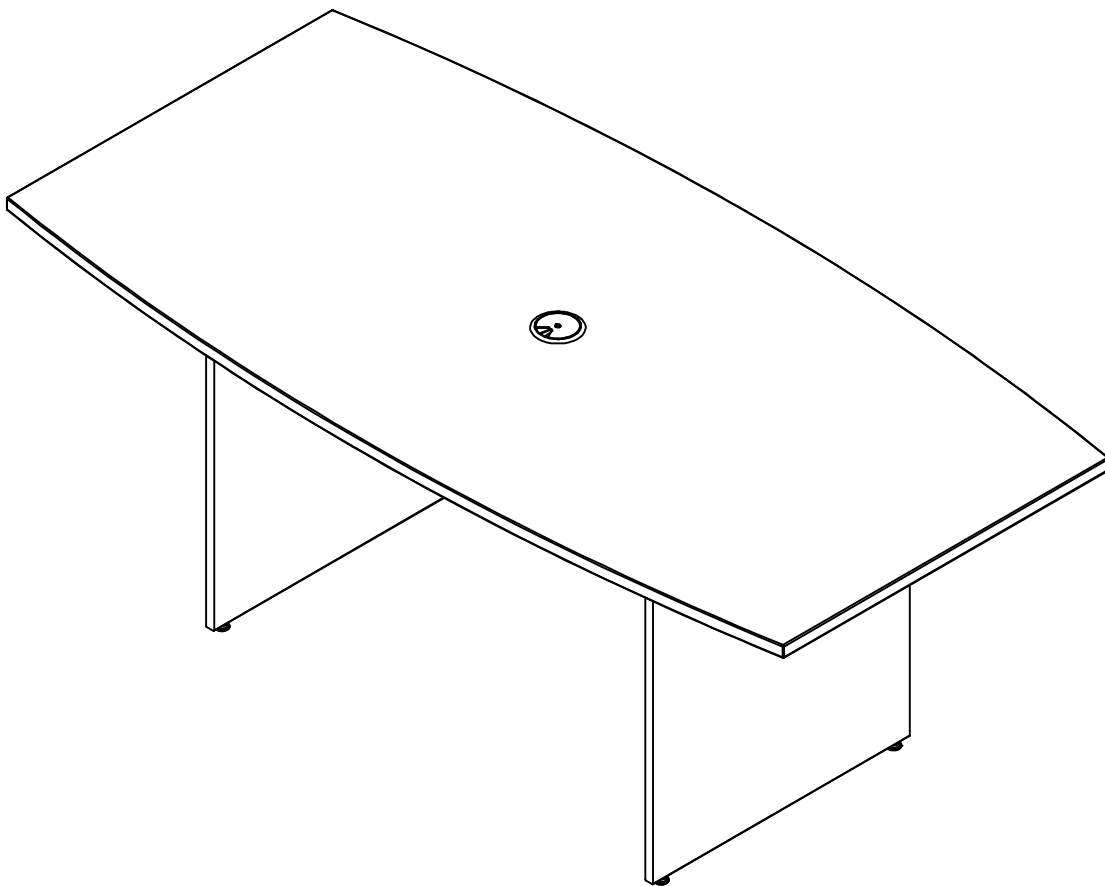


If you're having any difficulty during assembly of this product, don't hesitate to call us at **1-800-950-4782.**

Our customer service experts are trained to provide step-by-step instruction and can easily replace any missing or damaged parts.

Representatives are available Monday-Friday from 8:30 a.m. to 7:30 p.m. (ET)

72" x 36" Conference Table



Lot Code #

Instruction Sheet Number A179923D

Keep manual for future reference.

For best results, keep these tips in mind:

- ① We know you want to finish this assembly as quickly as possible, but trust us: you'll have a better experience if you take it one step at a time.
- ② Give yourself some room to work near where you want the fully assembled product.
- ③ If your floor isn't carpeted, assemble this product on the empty carton to avoid scratching.
- ④ Do you have a friend who owes you a favor? Some steps may go a little easier with a second set of hands.

DOs

- ✔ Use a #2 Phillips head screwdriver (or other handheld tools as indicated)
- ✔ Wear safety glasses at all times during assembly
- ✔ Carefully follow the instructions in this guide and complete all steps in order
- ✔ Give us a call if you're having trouble with a particularly tricky step

DON'Ts

- ✘ We know power tools are quick and easy, but you shouldn't use them when assembling this product (unless otherwise specified)
- ✘ Never move your furniture with items inside or resting on the surface
- ✘ Do not attempt to use this product before all steps have been completed



Watch assembly videos right on your phone or computer!



Some steps include QR codes that link to helpful videos. Watch out for the icon below! Simply open up your smartphone camera to scan the code.

(Users of older smartphones may need to install a QR Reader.)

SCAN HERE



FOR VIDEOS

Or visit <https://www.bushbusinessfurniture.com/CustomerService/HowtoAssemble.aspx>

IMPORTANT SAFETY INFORMATION



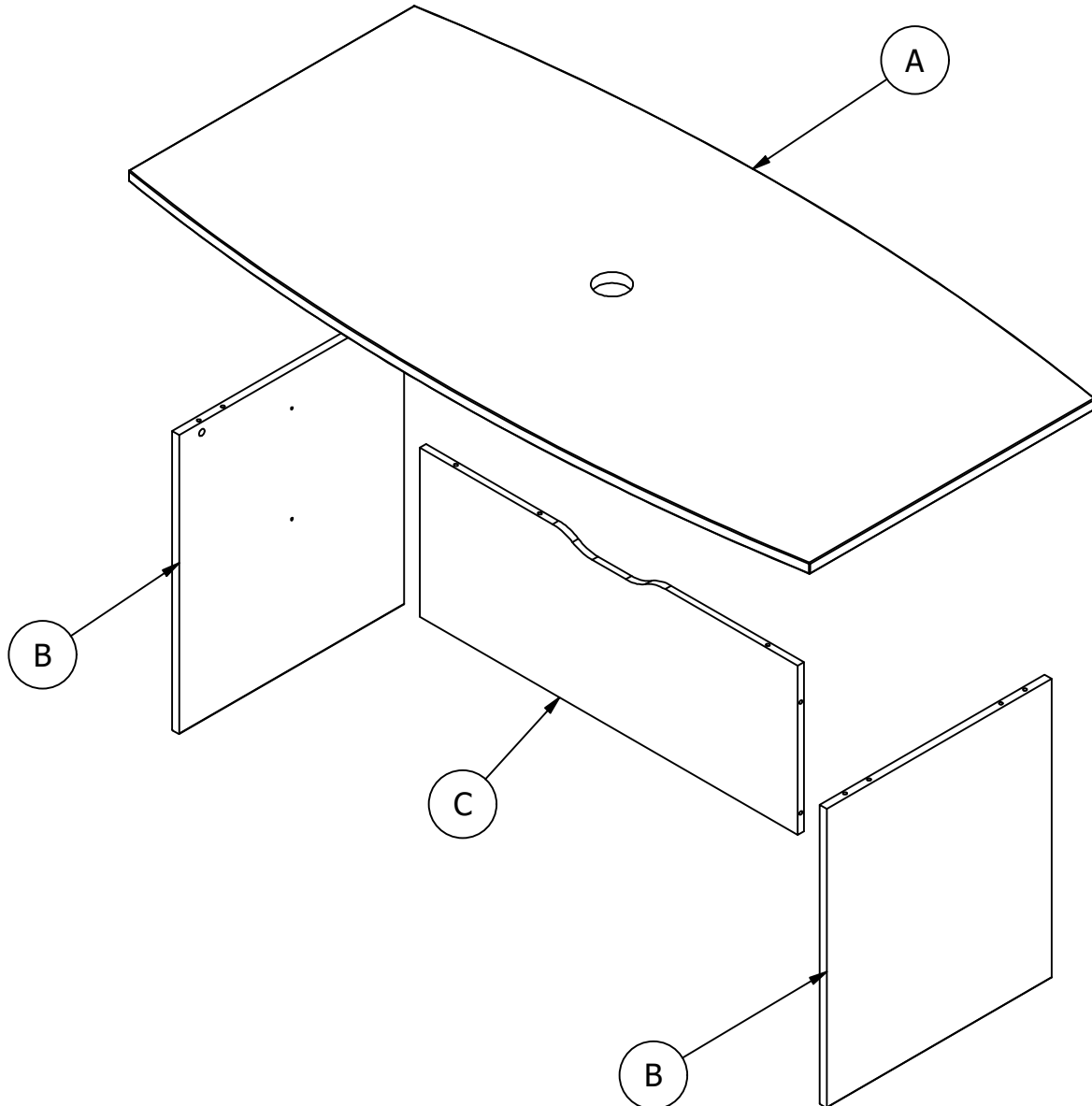
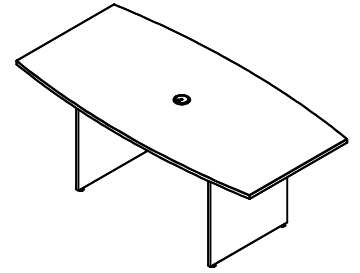
PLEASE READ WARNINGS

Improper use can cause safety hazards, or damage to your furniture and household items.

Warning	Do	Don't	Why it's important
Serious injury may occur.	<ul style="list-style-type: none">Assemble following all instructions using all indicated parts and hardware provided.	<ul style="list-style-type: none">Do not move unit when loaded.Do not load with a television or other heavy equipment.Do not exceed the maximum load limits stated in the instructions.	Improper assembly, use or loading can lead to product instability, tip-over or collapse.

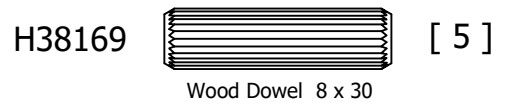
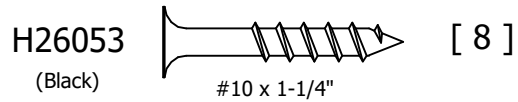
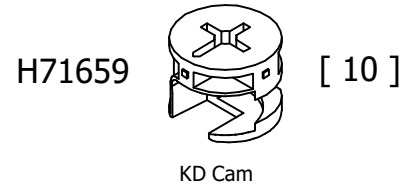
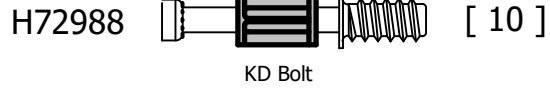
Advertencia	Hacer	No	Por qué es importante
Se pueden producir lesiones graves.	<ul style="list-style-type: none">Ensamble siguiendo todas las instrucciones utilizando todas las piezas y ferretería indicados provistos.	<ul style="list-style-type: none">No mueva la unidad cuando esté cargada.No cargue con un televisor u otro equipo pesado.No exceda los límites máximos de carga establecidos en las instrucciones.	El ensamblaje, uso o carga inadecuados pueden provocar inestabilidad del producto, vuelco o colapso.

Avertissement	Faire	Ne le fais pas	Pourquoi c'est important
Des blessures graves peuvent survenir.	<ul style="list-style-type: none">Assemblez en suivant toutes les instructions en utilisant toutes les pièces et le matériel indiqués fournis.	<ul style="list-style-type: none">Ne déplacez pas l'unité lorsqu'elle est chargée.Ne chargez pas avec un téléviseur ou un autre équipement lourd.Ne dépassez pas les limites de charge maximale indiquées dans les instructions.	Un assemblage, une utilisation ou un chargement incorrects peuvent entraîner une instabilité du produit, un renversement ou un effondrement.

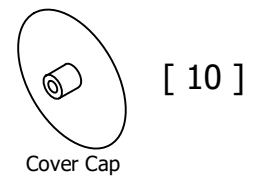
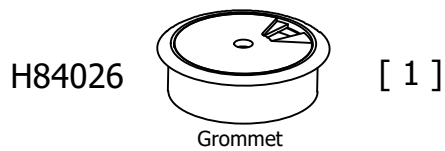
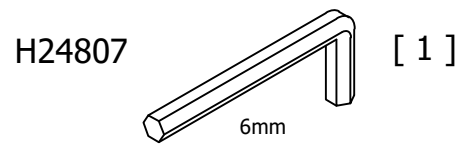
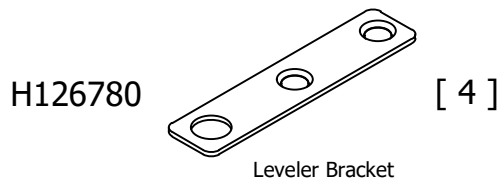
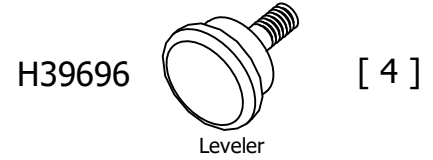
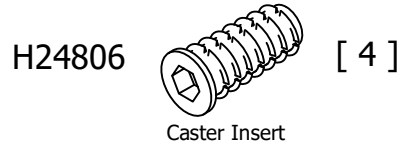


Have an assembly question or need a replacement part? Just call
1-800-950-4782, we are here to help.

Fasteners are shown actual size.



Hardware not to scale.

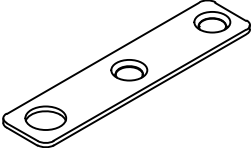
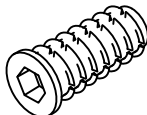
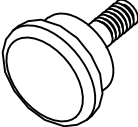
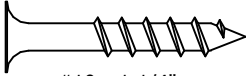
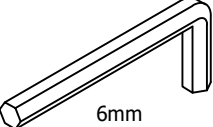


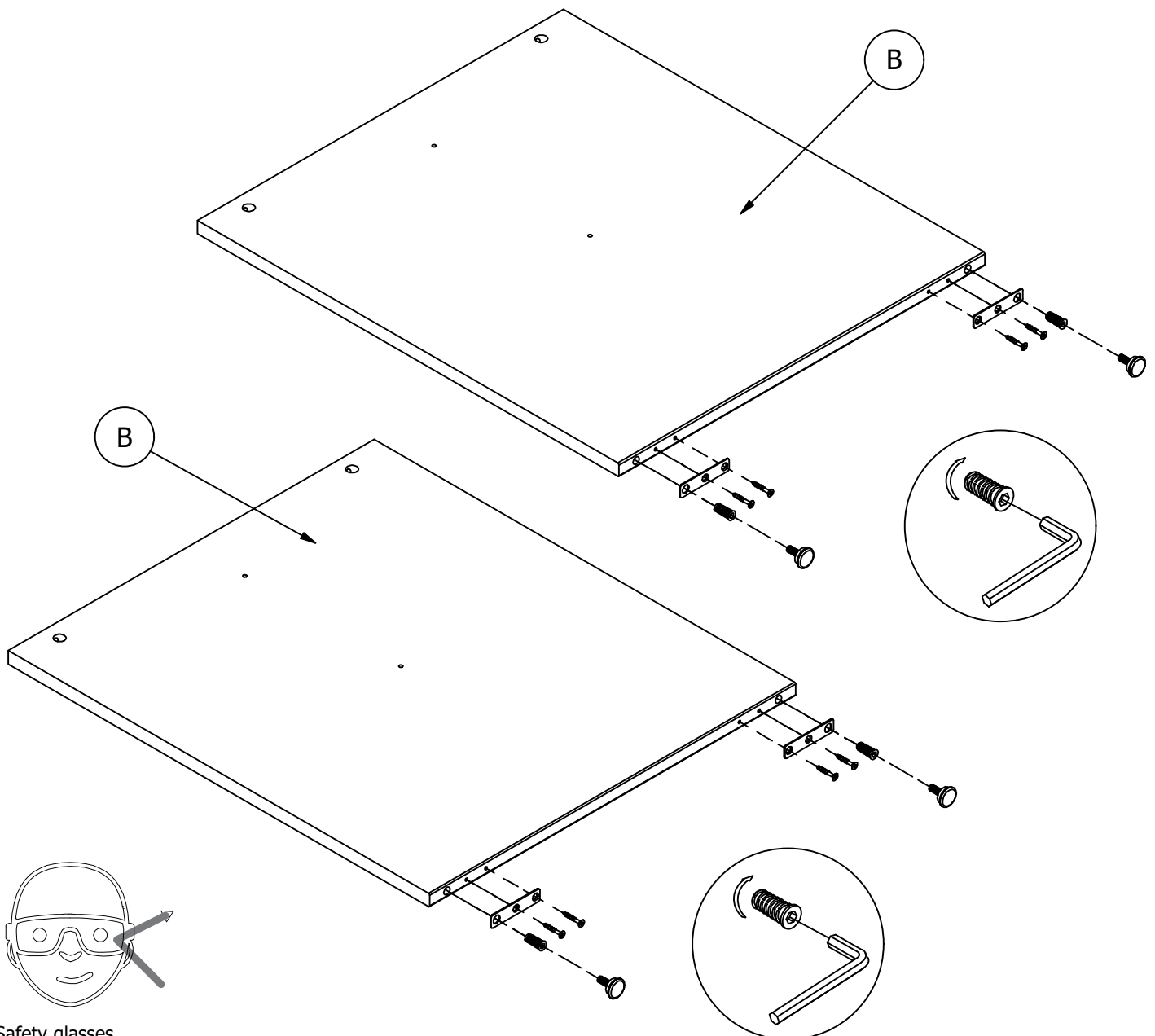
Have an assembly question or need a replacement part? Just call
1-800-950-4782, we are here to help.

STEP 1

Prepare Panels

A179923D

- H126780  [4]
Leveler Bracket
- H24806  [4]
Caster Insert
- H39696  [4]
Leveler
- H26053 (Black)  [8]
#10 x 1-1/4"
- H24807  6mm



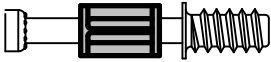

Safety glasses
Gafas de seguridad
Lunettes de protection


Have an assembly question or need a replacement part? Just call **1-800-950-4782**, we are here to help.

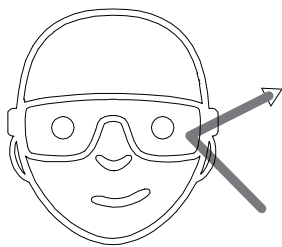
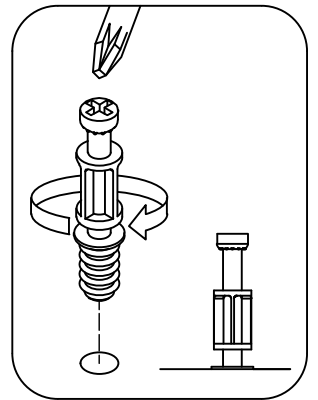
STEP 2

Prepare Panels

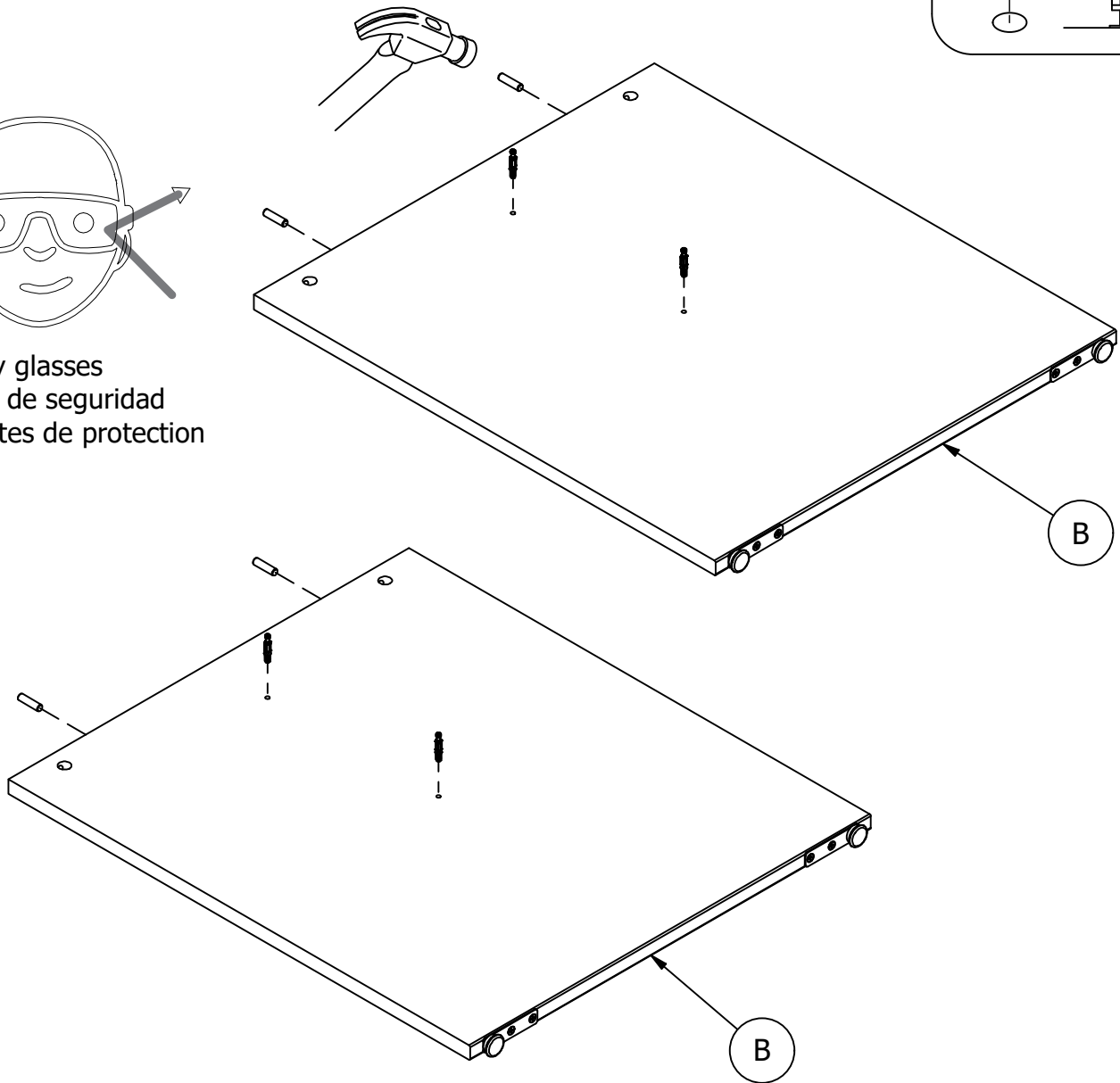
A179923D

H72988  [4]
KD Bolt

H38169  [4]
Wood Dowel 8 x 30



Safety glasses
Gafas de seguridad
Lunettes de protection



Have an assembly question or need a replacement part? Just call
1-800-950-4782, we are here to help.

STEP 3

Prepare Panel

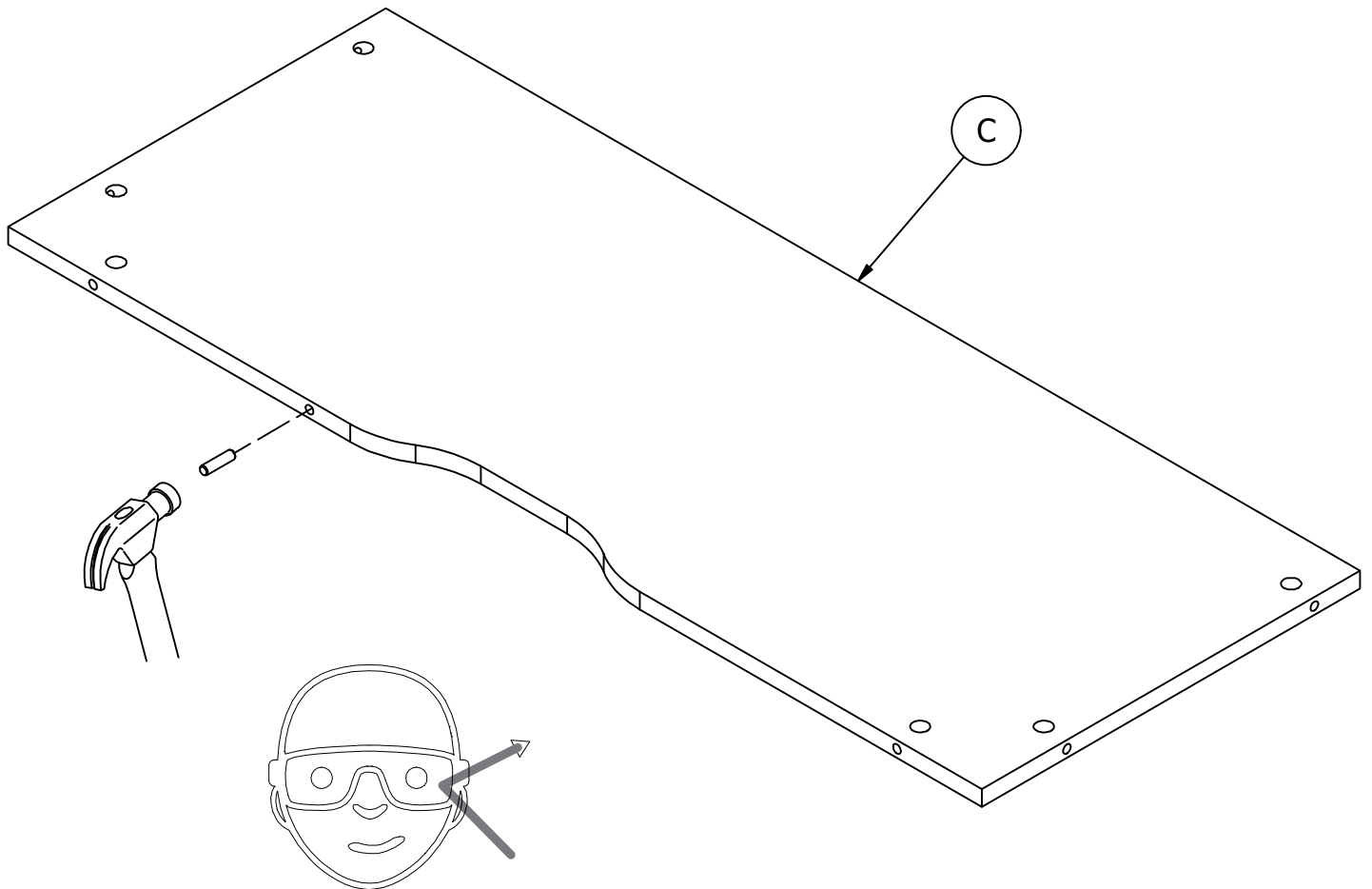
A179923D

H38169



[1]

Wood Dowel 8 x 30



Safety glasses
Gafas de seguridad
Lunettes de protection

Have an assembly question or need a replacement part? Just call
1-800-950-4782, we are here to help.

STEP 4

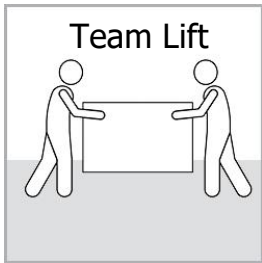
Assemble Panels

A179923D

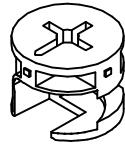
Scan QR Code to Watch Video on:



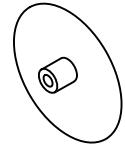
How to Tighten KD Cams



H71659 [4]

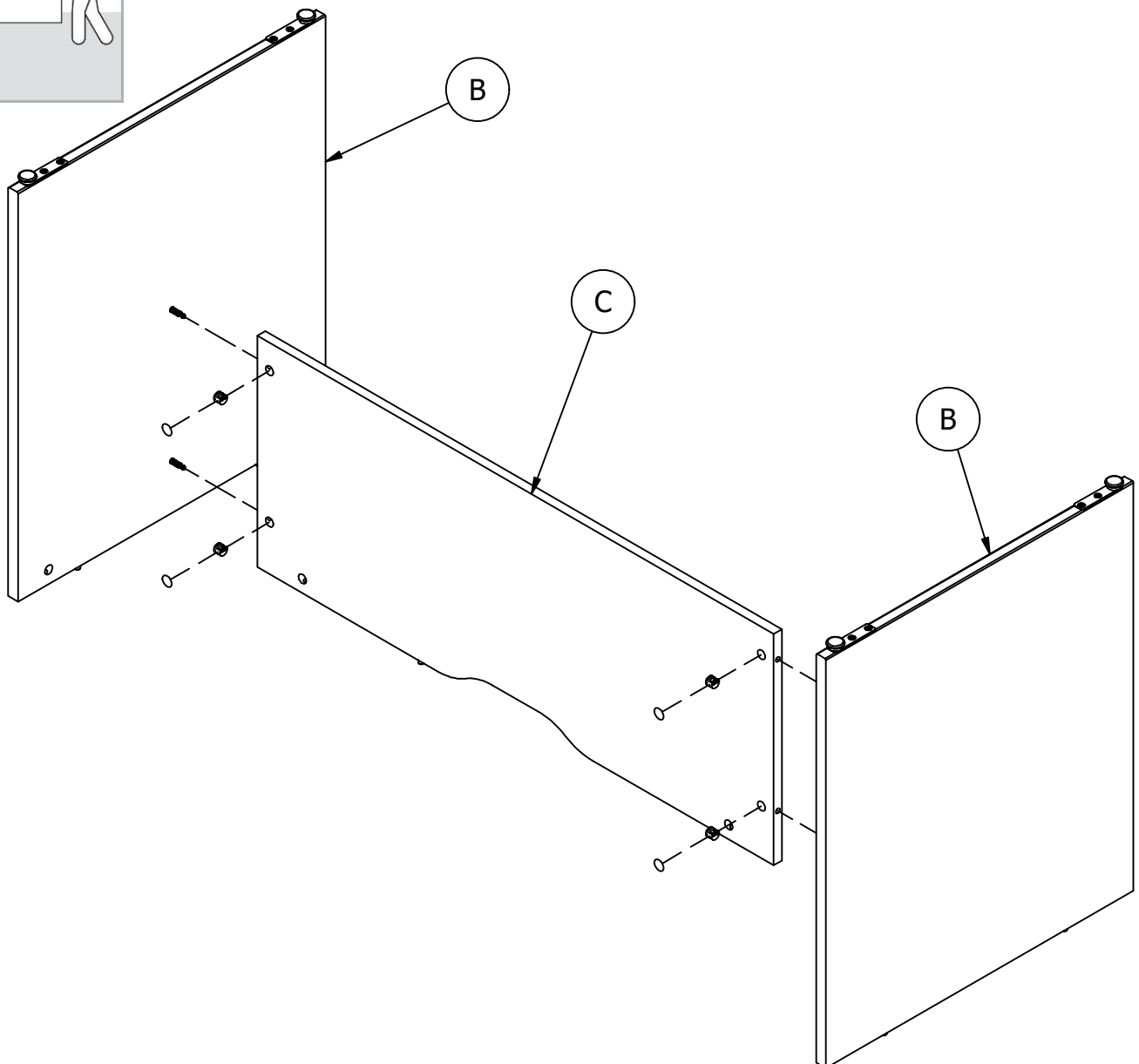
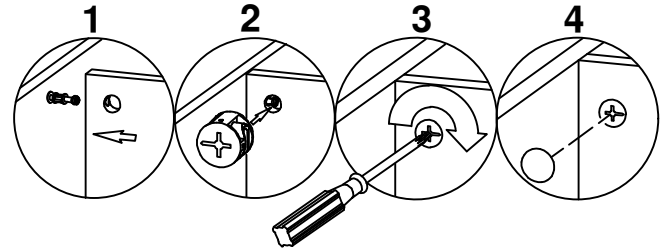


KD Cam



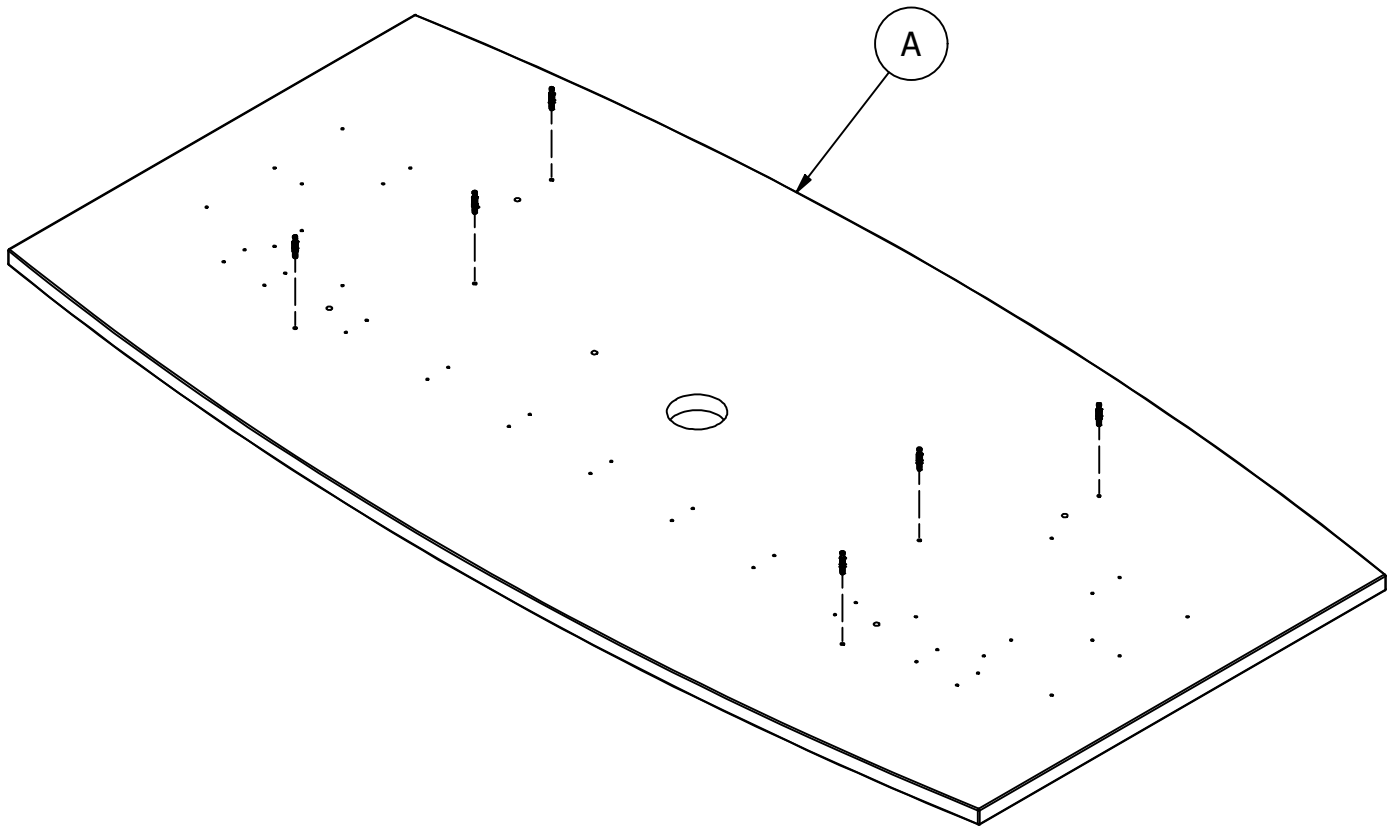
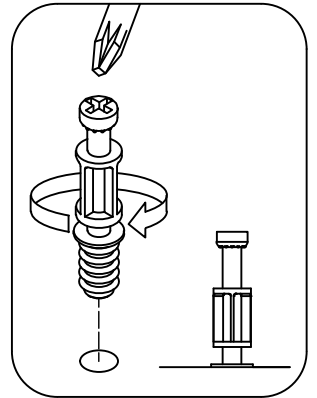
[4]

Cover Cap



Have an assembly question or need a replacement part? Just call **1-800-950-4782**, we are here to help.

H72988 [6]
KD Bolt



STEP 6

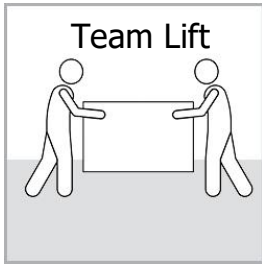
Assemble Panels

A179923D

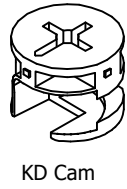
Scan QR Code to Watch Video on:



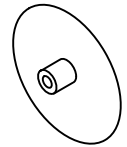
How to Tighten KD Cams



H71659 [6]

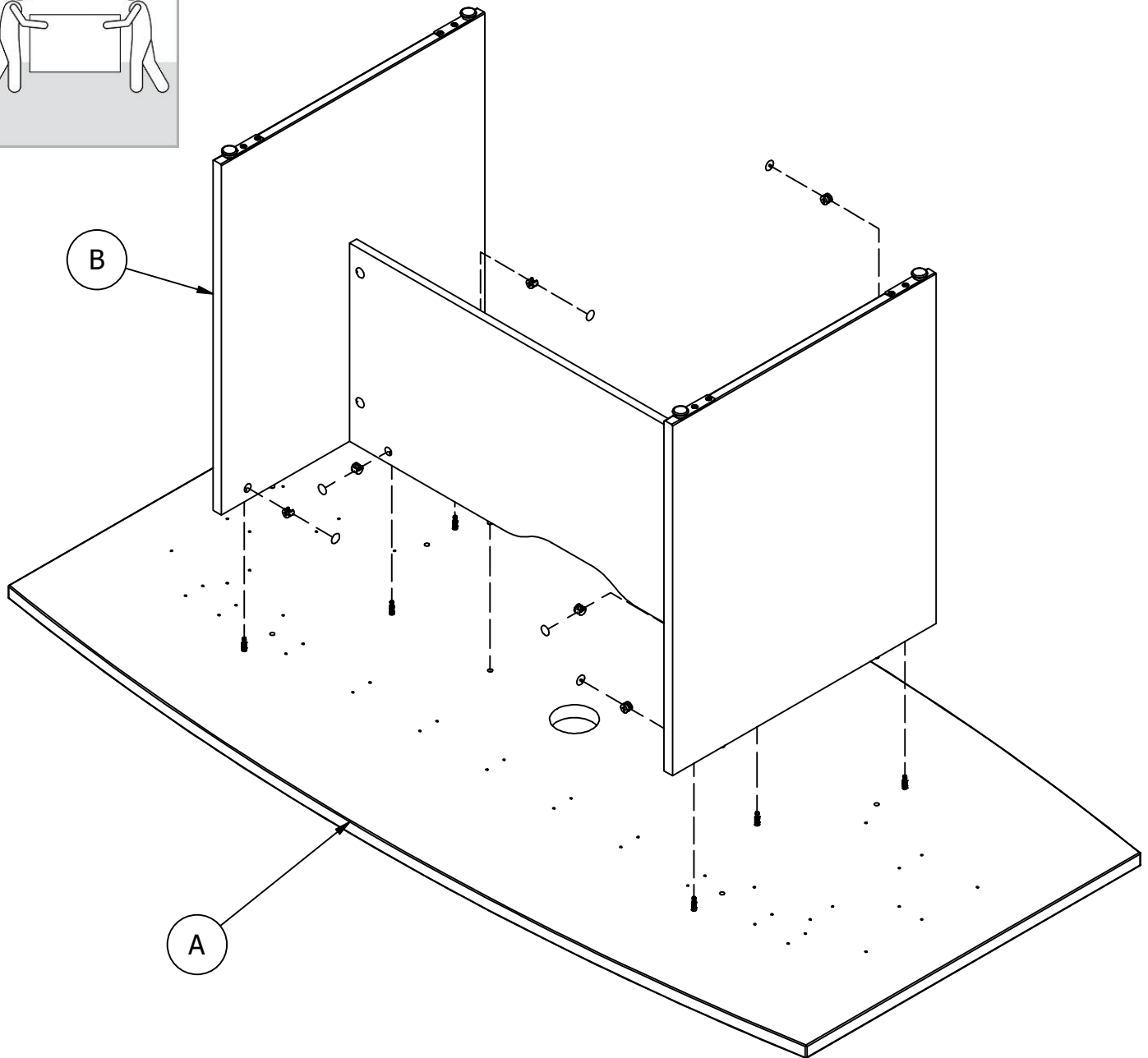
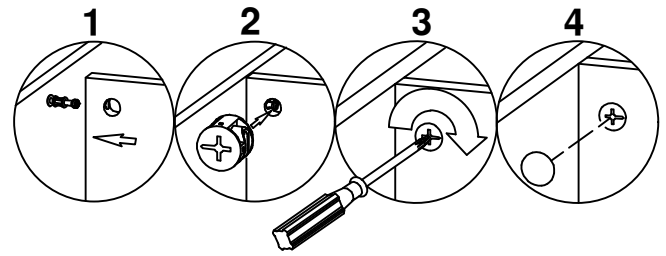


KD Cam



[6]

Cover Cap



Have an assembly question or need a replacement part? Just call **1-800-950-4782**, we are here to help.

STEP 7

Maximum Loading and Cleaning

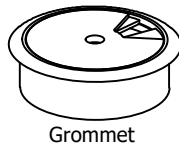
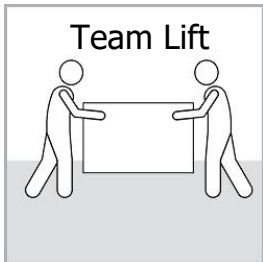
A179923D

Scan QR Code to
Watch Video on:



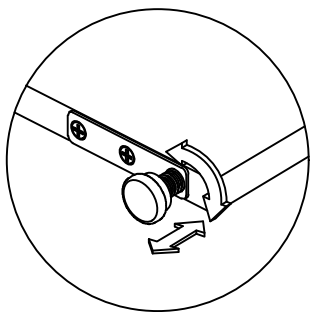
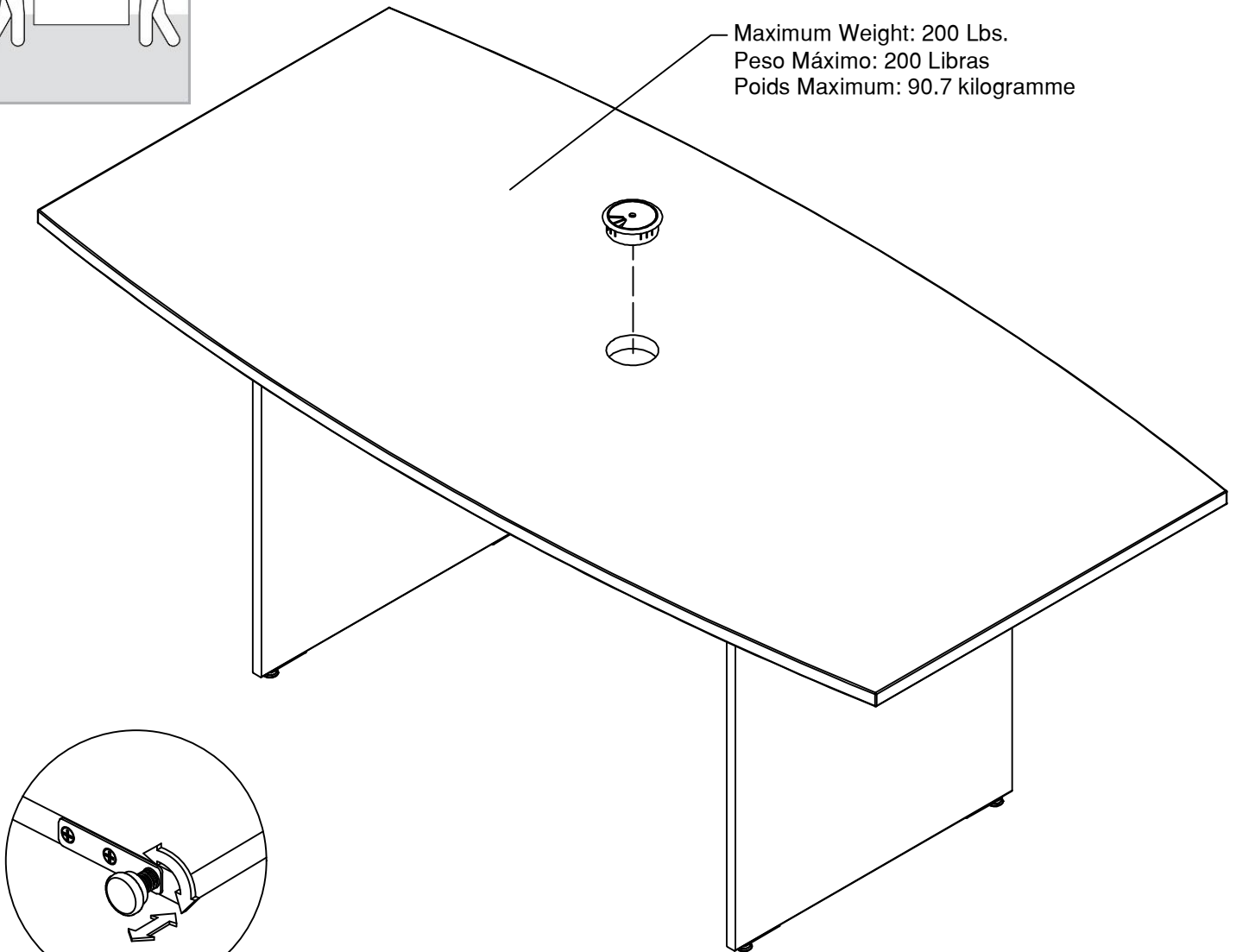
How to Clean
the Surface

Gently clean surfaces with a damp sponge eraser.



[1]

Maximum Weight: 200 Lbs.
Peso Máximo: 200 Libras
Poids Maximum: 90.7 kilogramme

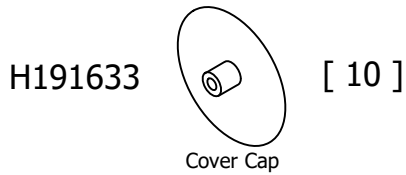


Congratulations! You are all done. If
you have any questions or concerns,
please call.

Have an assembly question or need a replacement part? Just call
1-800-950-4782, we are here to help.

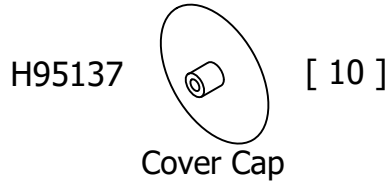
99TB7236BW

- A [1] W216198
- B [2] W216190
- C [1] W216199



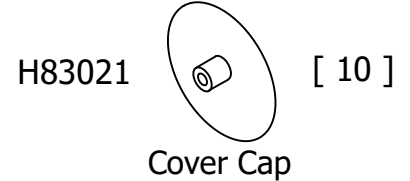
99TB7236HC

- A [1] W179036
- B [2] W179037
- C [1] W179038



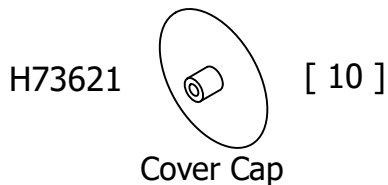
99TB7236MH

- A [1] W216210
- B [2] W216202
- C [1] W216211



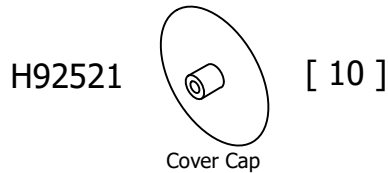
99TB7236MR

- A [1] W176665
- B [2] W174229
- C [1] W172245



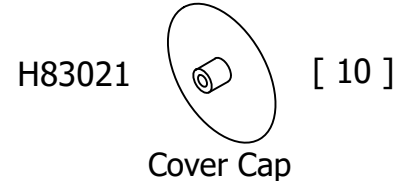
99TB7236SG

- A [1] W186894
- B [2] W186895
- C [1] W186896



99TB7236PG

- A [1] W200308
- B [2] W200309
- C [1] W200310



99TB7236WH

- A [1] W200311
- B [2] W200312
- C [1] W200313

