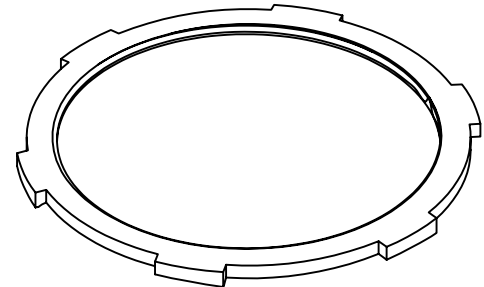
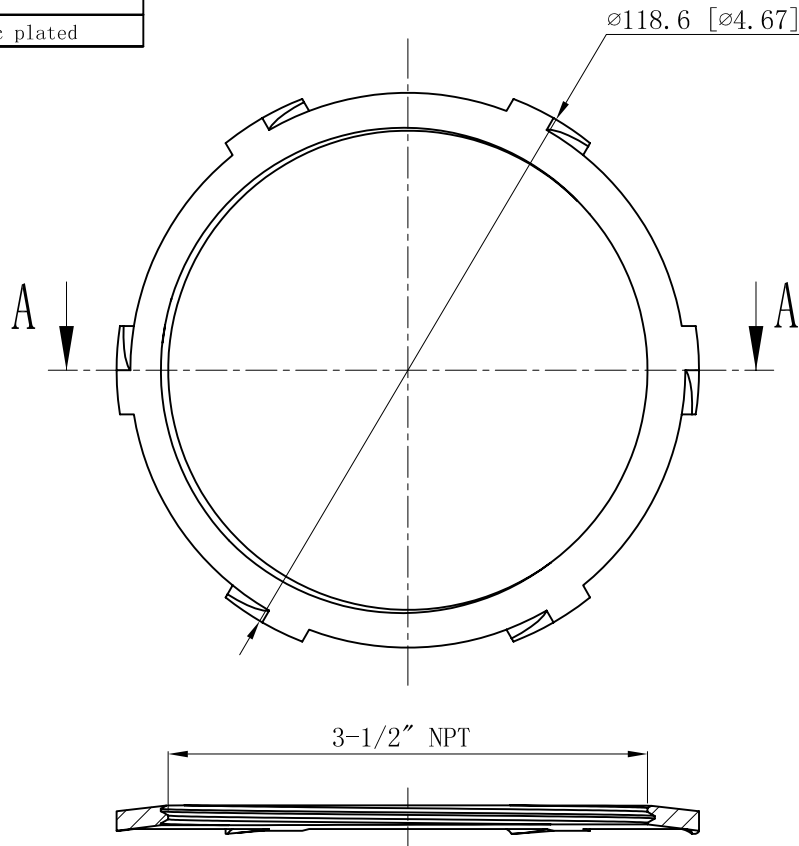


SIDES	BOTTOM
Material: Steel-0.157"-C1008~C1018, Zinc plated	



CUTAWY VIEW A-A

This data sheet is for reference only .GARVIN INDUSTRIES reserves the right to make changes to the design without prior notice.

DESCRIPTION
TRADE REFERENCE TERMS

STANDARD PACKING
5 PCS

TITLE			GARVIN INDUSTRIES		
STEEL LOCKNUTS					
SIZE	DWG NO.				REV
A4	LN-350				
DATA SHEET					