

### Features

- Digitally controlled thermostatic mixing valve
- Antiscald protection
- Built-in temperature and flow control
- Allows for two different temperature and flow zones in your shower
- Includes optional flow restrictor, limiting total flow to 1.75 gpm (6.6 lpm), for installations where water conservation or CEC compliance is desired
- Use with the KOHLER Konnect® app to unlock additional Anthem system features, Kohler-developed experiences, and system updates
- Up to 22 gpm (83 lpm) flow rate at 45 psi (3.1 bar) with maximum flow of 9.5 gpm (36 lpm) from one outlet
- Four independently controllable 1/2" (13 mm) outlets with brass tube connections
- 3/4" (19 mm) inlets with brass tube connections

### Material

- Reinforced engineering-grade thermoplastic body

### Installation

- Mounts within standard 2" x 4" (38 x 102 mm) walls
- Install valve approximately 32' (9754 mm) away from the digital control (cable supplied with control)
- Prewired with two-prong plug for connection to 120 V GFCI receptacle
- After digital control is connected to valve and power source, follow on-screen prompts for easy setup; no Internet needed. (Digital control sold separately)

### Required Products/Accessories

For wall-mount installation  
K-28214 Digital control

### Optional Products/Accessories

K-28213 Remote on/off button for digital thermostatic valve



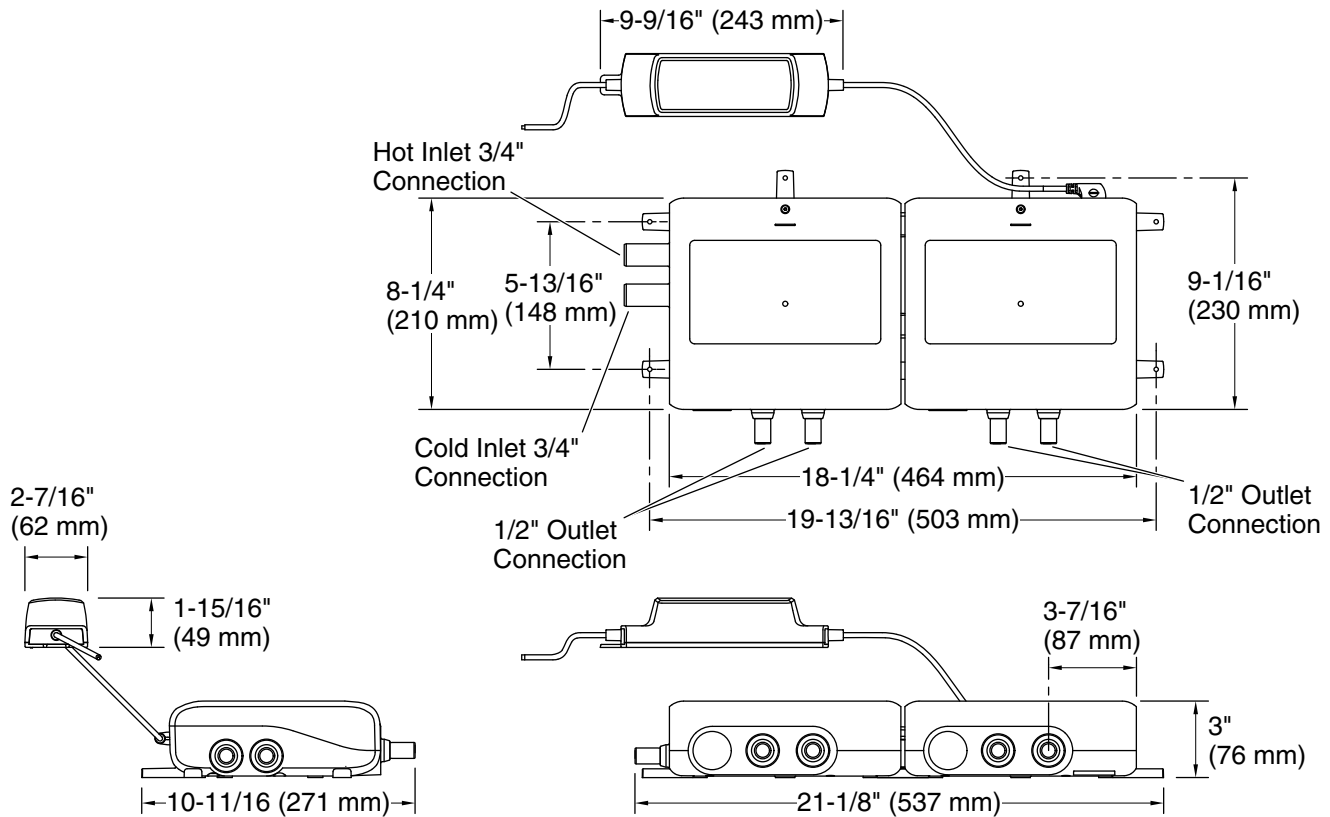
### Codes/Standards

ASME A112.18.1/CSA B125.1  
ASSE 1016/ASME A112.1016/CSA B125.16  
UL 1951  
CSA C22.2 No. 14  
CSA C22.2 No. 68  
IAPMO Certification  
cUL Listed  
UL Listed

### KOHLER® Electronic Faucets, Valves, and Controls Five-Year Limited Warranty

See website for detailed warranty information.

The BLUETOOTH® word mark and logos are registered trademarks owned by Bluetooth SIG, Inc. and any use of such marks by Kohler Co. is under license. Other trademarks and trade names are those of their respective owners.



### Required Electrical Service

One circuit required, protected with Class A Ground-Fault Circuit-Interrupter (GFCI). Outside North America, this device may be known as a Residual Current Device (RCD).

Thermostatic valve: 120 V, 1.6 A, 60 Hz

### Technical Information

All product dimensions are nominal.

Power source: Plug - AC, included

### Shower Valve:

Flow Rate (Max) @ 45 psi 22.5 gal/min (85.2 l/min)

Manufacturer's minimum rated flow: 0.9 gal/min (3.4 l/min)

Pressure: 45 psi (3.1 bar)

Maximum (Static) Pressure: 125 psi (8.6 bar)

Minimum (Operating) Pressure: 15 psi (1 bar)

Drain included: No

Electrical component Thermostatic valve: 120 V, 1.6 A, 60 Hz rating:

### Handshower:

Rated maximum flow: 0 gal/min (0 l/min)

### Notes

Ports should be tied together in the event a port is not utilized. Do NOT cap any port.

For use with showerheads or handsprays rated at 0.9 gal/min (3.4 l/min) or higher.