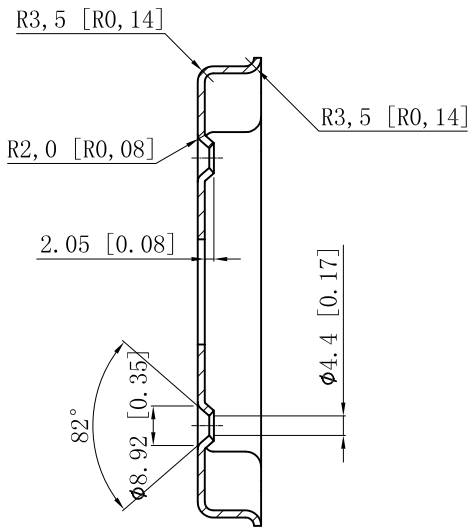
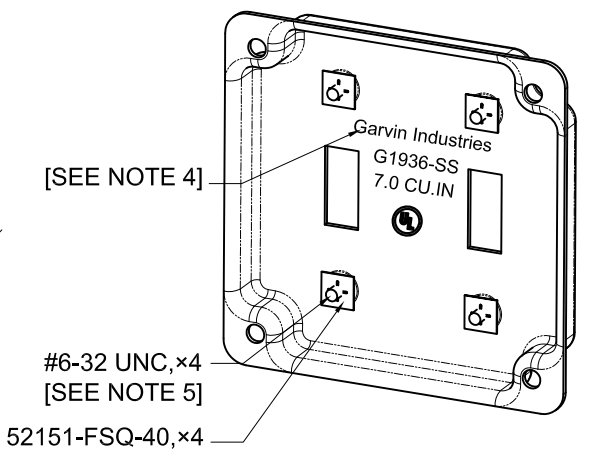
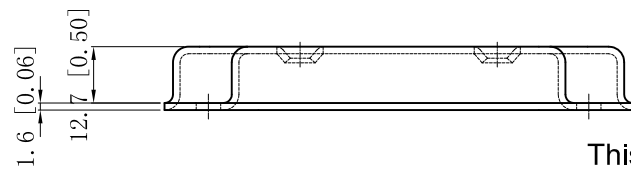
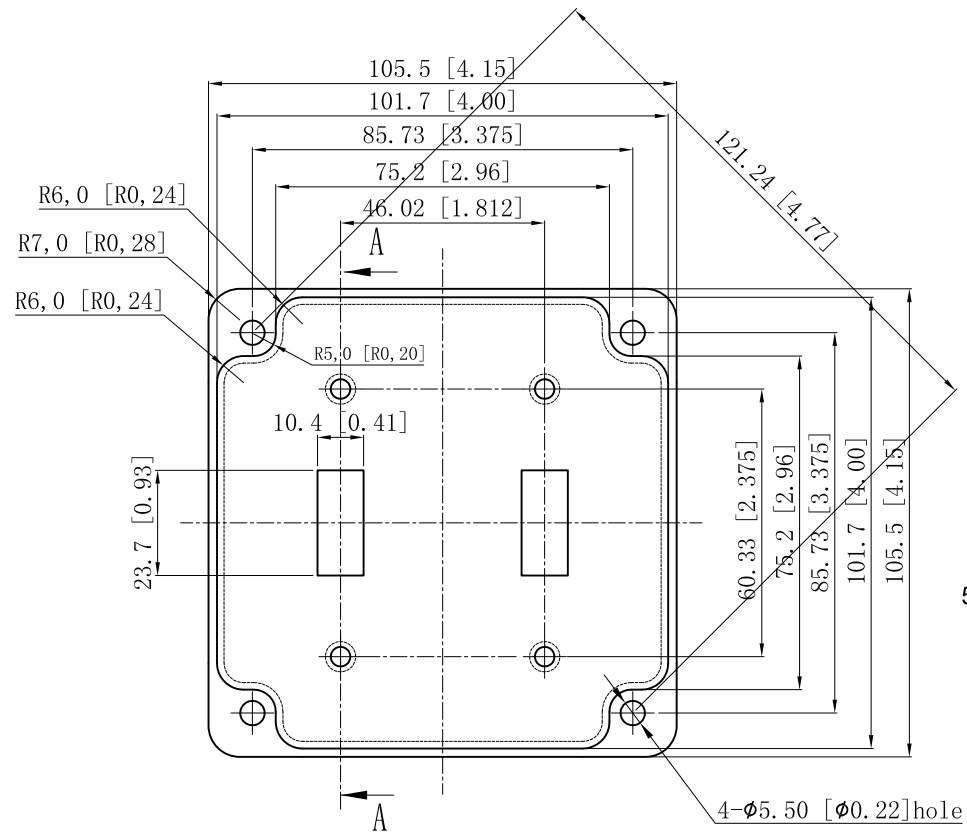


SIDES	BOTTOM
4 PCS 6-32X5/16 Screws Pack In Poly-bag Separately	
Material: 0.051~0.059"-316 Stainless Steel	



CUTAWAY VIEW A-A



This data sheet is for reference only .GARVIN INDUSTRIES reserves the right to make changes to the design without prior notice.

DESCRIPTION
TRADE REFERENCE TERMS

STANDARD PACKING
50 PCS

GARVIN INDUSTRIES		
TITLE 4" SQUARE INDUSTRIAL "GARVIN" COVERS		
SIZE A4	DWG NO. G1936-SS	REV A
DATA SHEET		
www.garvinindustries.com		