



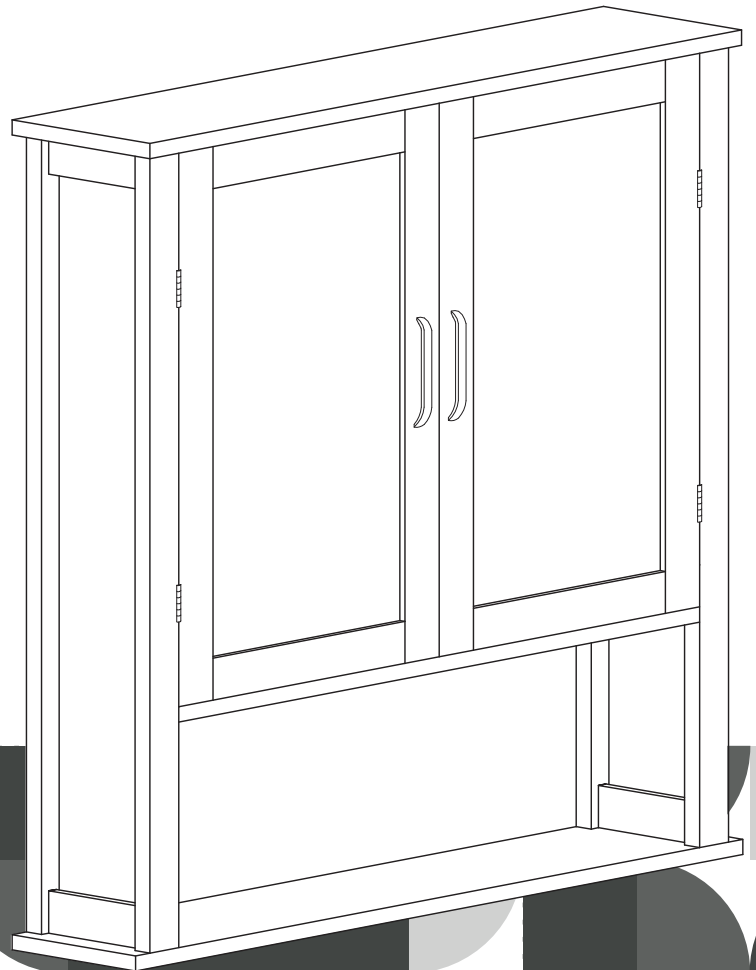
**Extended Warranty
Sign Up**

E-1

Welcome home!

EHF-F0019

**TEAMSON HOME
Mercer Wall
Mounted Cabinet**





**Questions? Comments? Need help?
Call or email us any time!**

Global Customer Service

USA

+1(800)935-3959

Mon - Fri 10:00am ~ 2:00pm EST

✉ support@teamson.com

EU/UK

+44(0)1952-916-050

Mon - Thu 9:00am ~ 5:00pm GMT

Friday 9:00am ~ 4:00pm GMT

✉ support@teamson.co.uk

ASIA

深圳办公室:

+86(0755)8885-3558.分机号331

Mon - Sat 9:00am ~ 5:00pm GMT+8

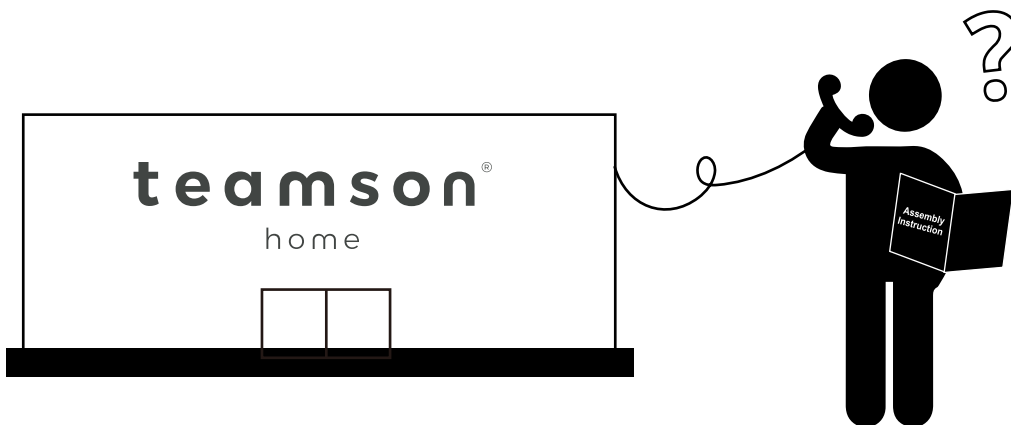
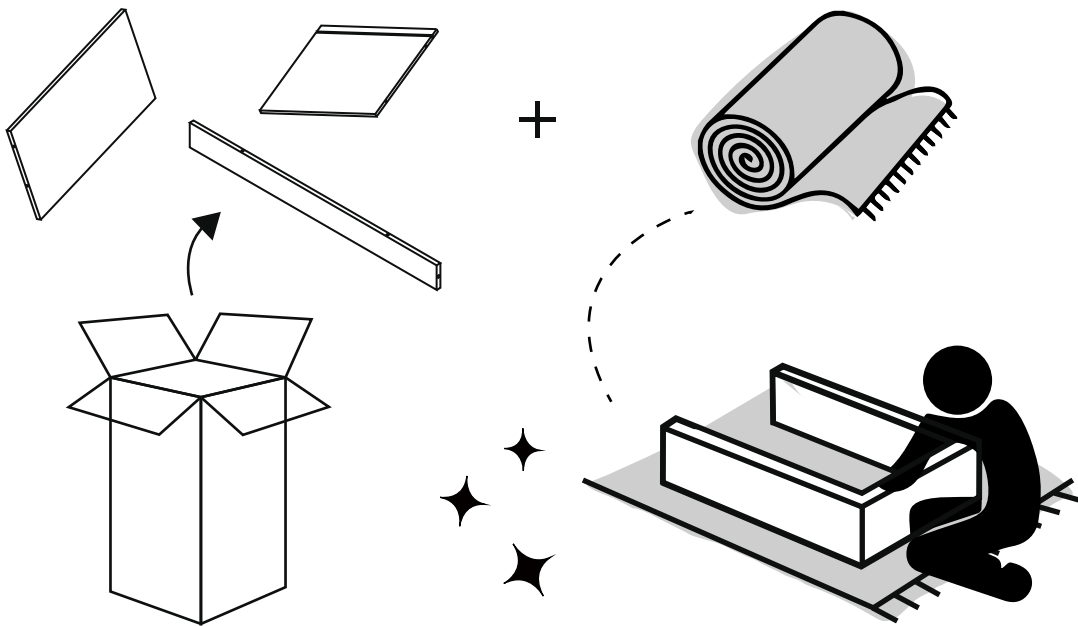
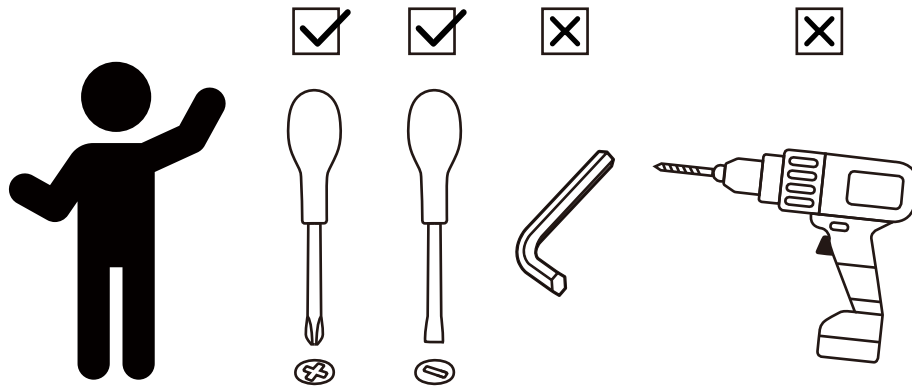
✉ sales_ec@teamson.com

台北办公室:

+886(2)2556-6268

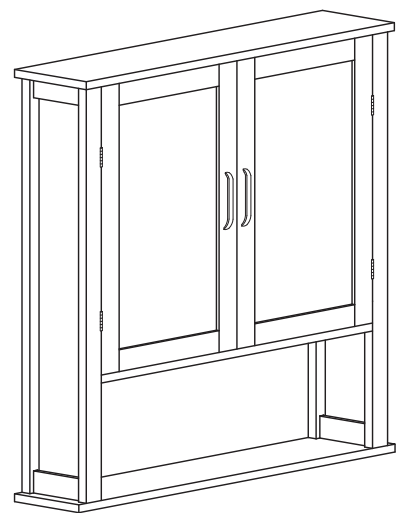
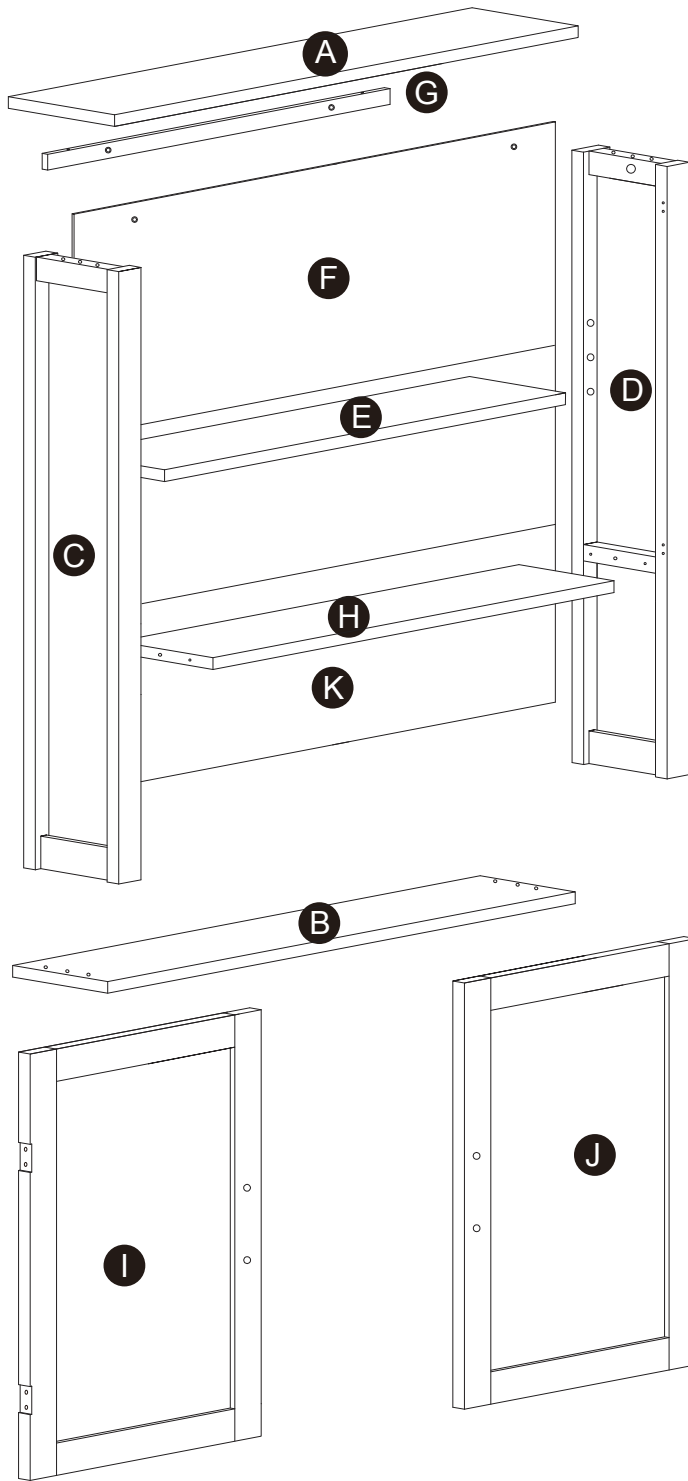
Mon - Fri 9:00am ~ 5:00pm GMT+8

✉ sales_ec@teamson.com



** Got questions? Please have your product code (on the first page of this instruction, e.g. TD-12345A) and the order number ready, give us a call or email us through our customer care support! We are always ready to assist you!

Exploded Drawing



Scan for assembly instructions.

Product Parts

A



1 PC

B



1 PC

C



1 PC

D



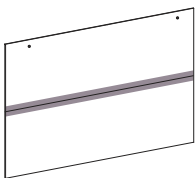
1 PC

E



1 PC

F



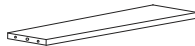
1 PC

G



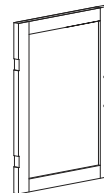
1 PC

H



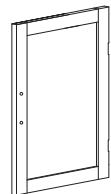
1 PC

I



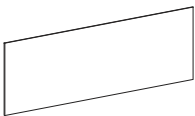
1 PC

J



1 PC

K



1 PC

! Care Instructions

Dust surface with a dry soft cloth. Do not use window cleaners or cleaning abrasives as they will scratch the surface and could damage the protective coating

! WARNING

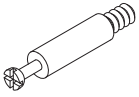
Small parts and sharp edges may be present prior to assembly.



Scan for assembly instructions.

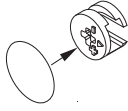
Hardware

1



6 PCS

2



Ø15*9

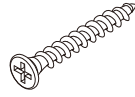
6 PCS

3



4 PCS

4



Ø4*40mm

4 PCS

5



Ø3*12mm

8 PCS

6



Ø3*10mm D=7

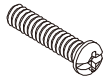
20 PCS

7



2 PCS

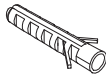
8



5/32"*19mm

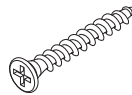
4 PCS

9



2 PCS

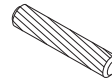
10



Ø4*38mm

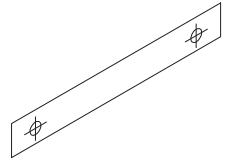
2 PCS

11



Ø6*30mm

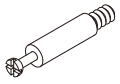
10 PCS



Scan for assembly instructions.

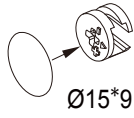
Step 1

1



6 pcs

2



Ø15*9

4 pcs

4



Ø4*40mm

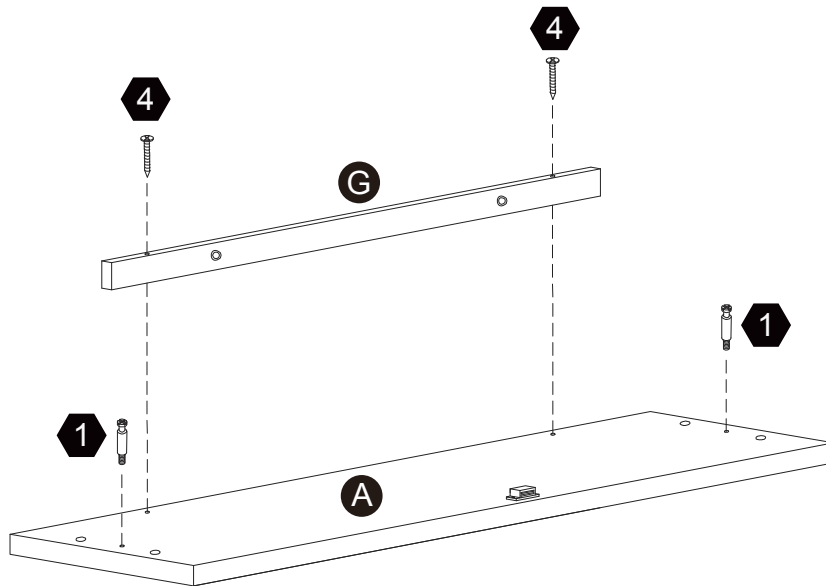
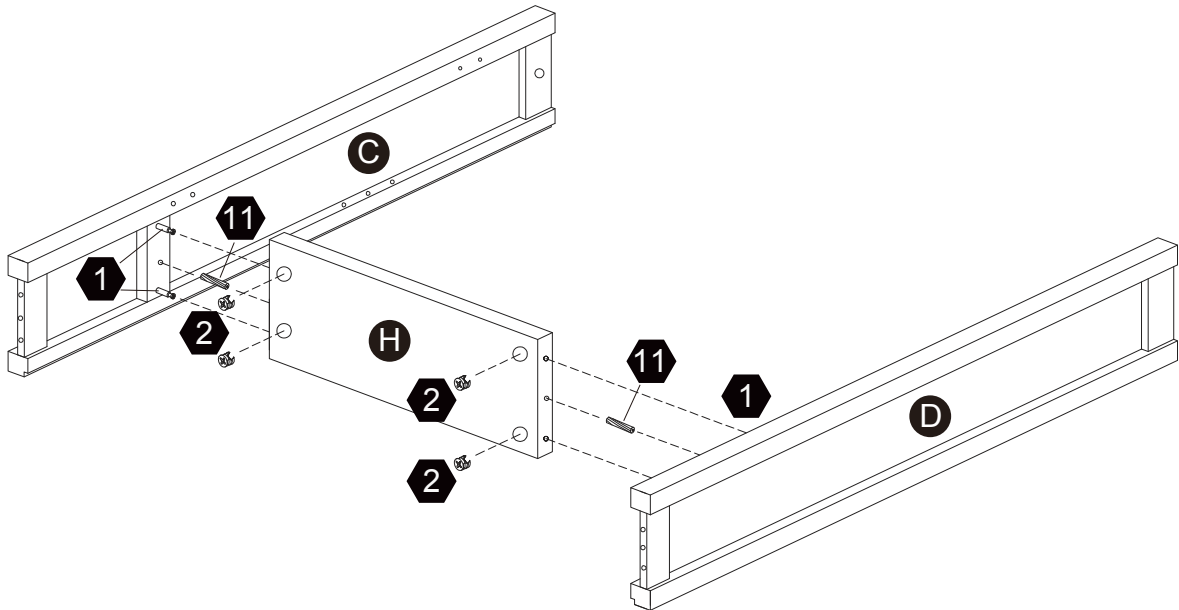
2 pcs

11



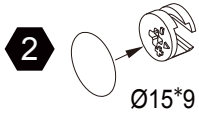
2 pcs

Ø6*30mm



Scan for assembly instructions.

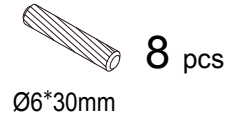
Step 2



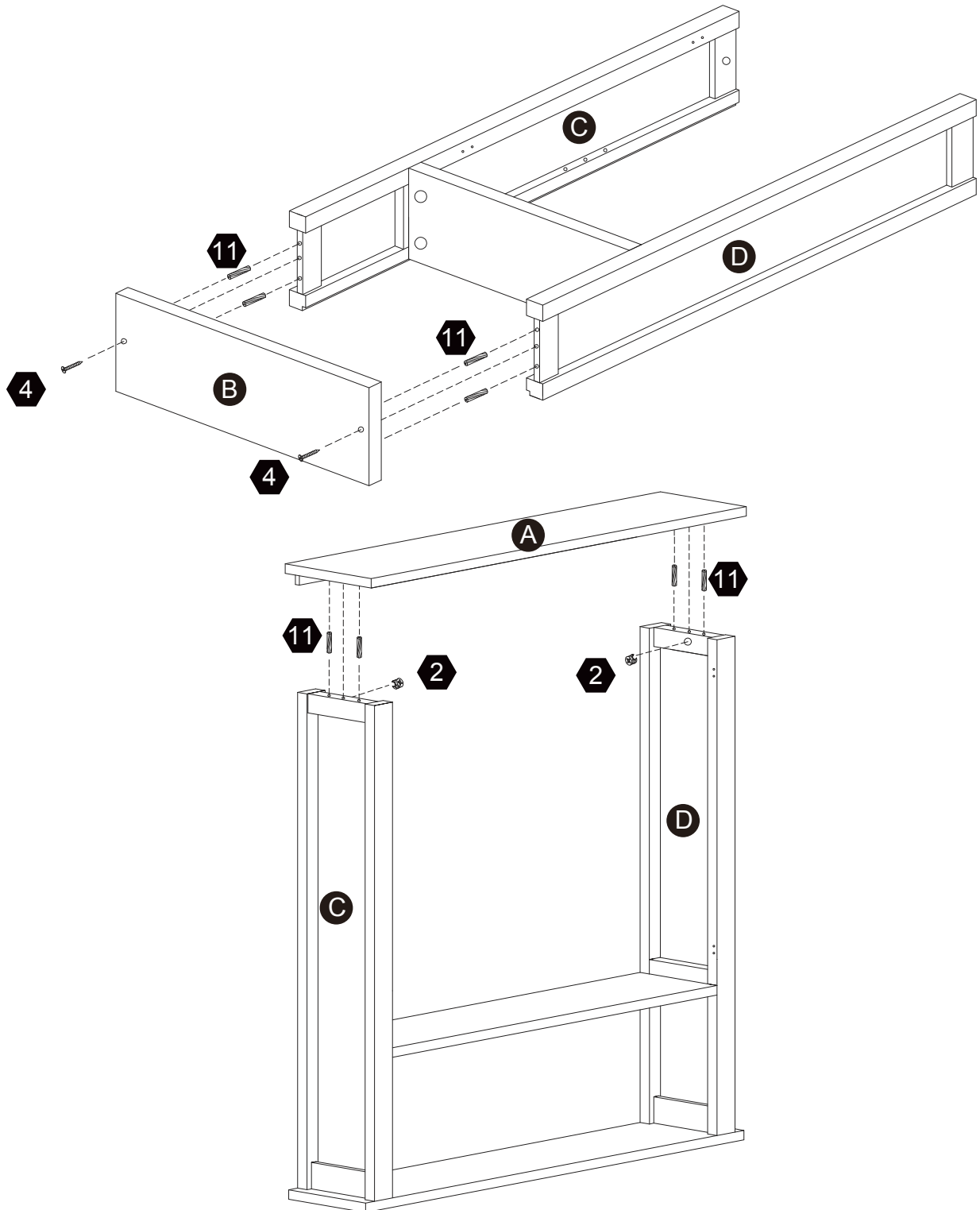
2 pcs



2 pcs

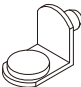






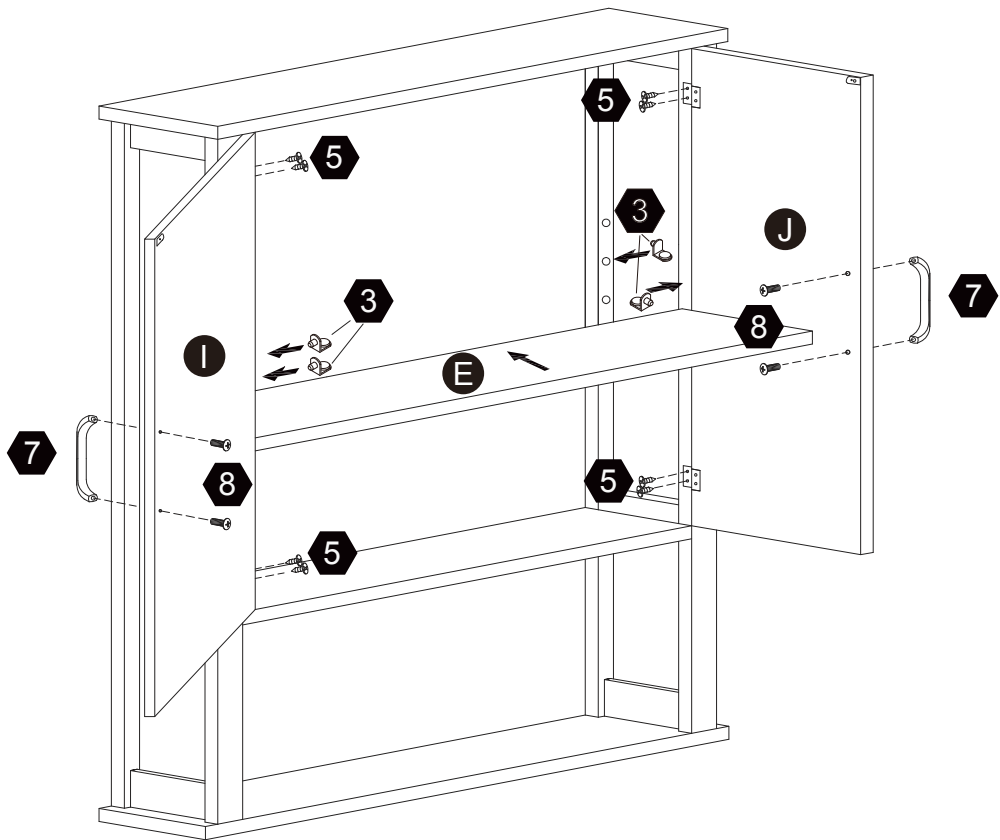
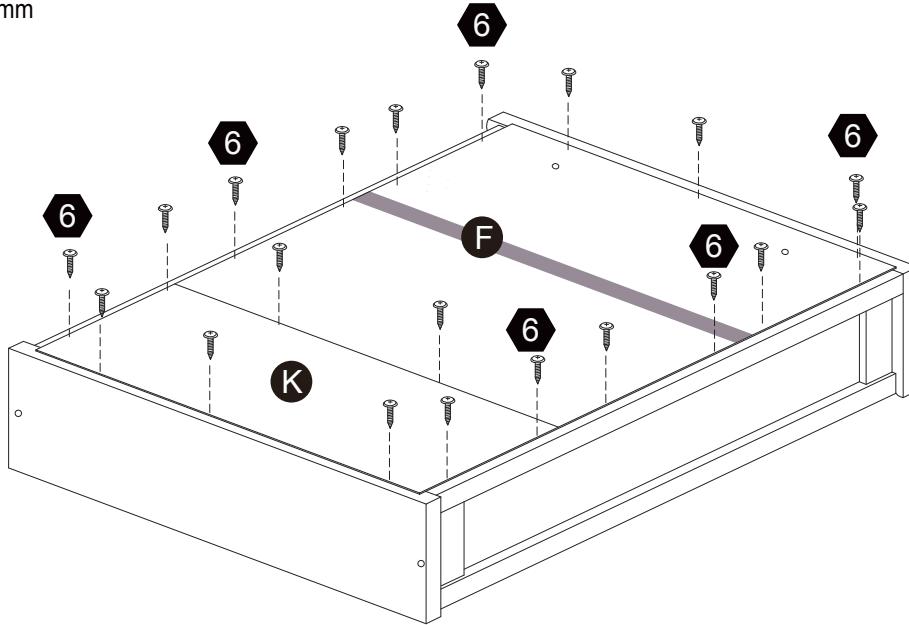
8 pcs



Scan for assembly instructions.

Step 3

- 3**  4 pcs
- 5**  8 pcs $\text{Ø}3 \times 12\text{mm}$
- 6**  20 pcs $\text{Ø}3 \times 10\text{mm D}=7$
- 7**  2 pcs
- 8**  4 pcs $5/32'' \times 19\text{mm}$



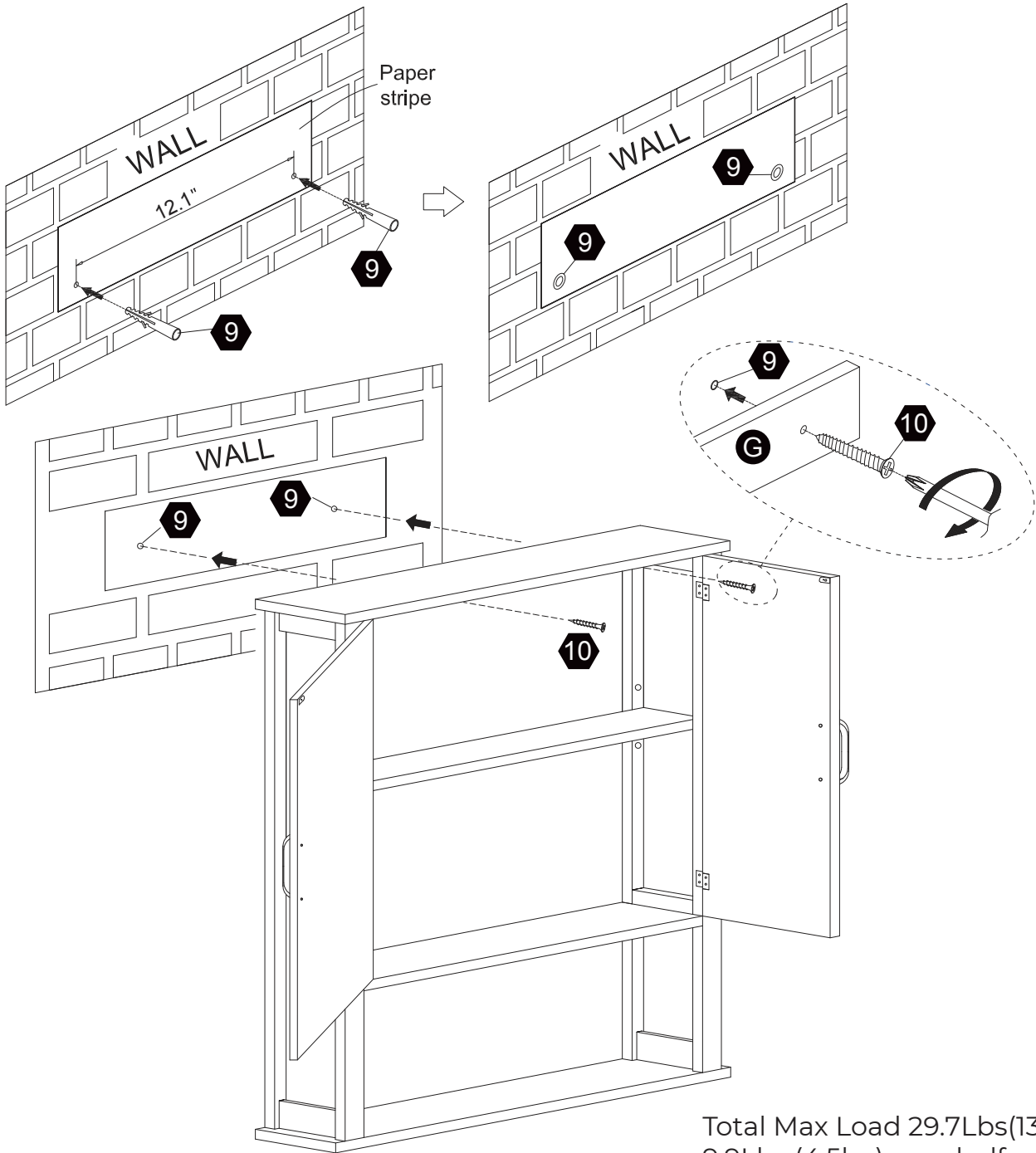
Scan for assembly instructions.

Step 4



Warning:

Serious or fatal injuries can occur from furniture tip-over. To help prevent furniture tip-over: Use provided mounting hardware to secure furniture to the wall. This may reduce but not eliminate the risk of furniture tip-over. Do not allow children to climb on furniture.



Scan for assembly instructions.

