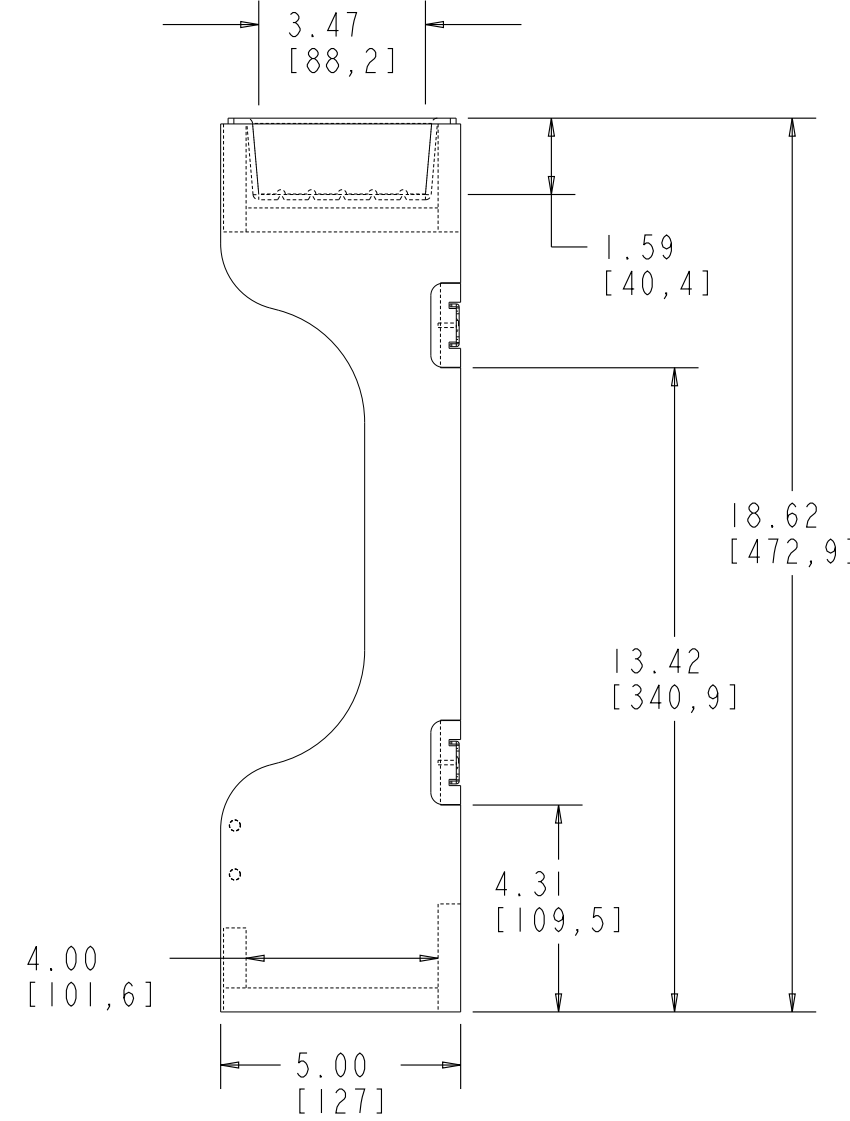
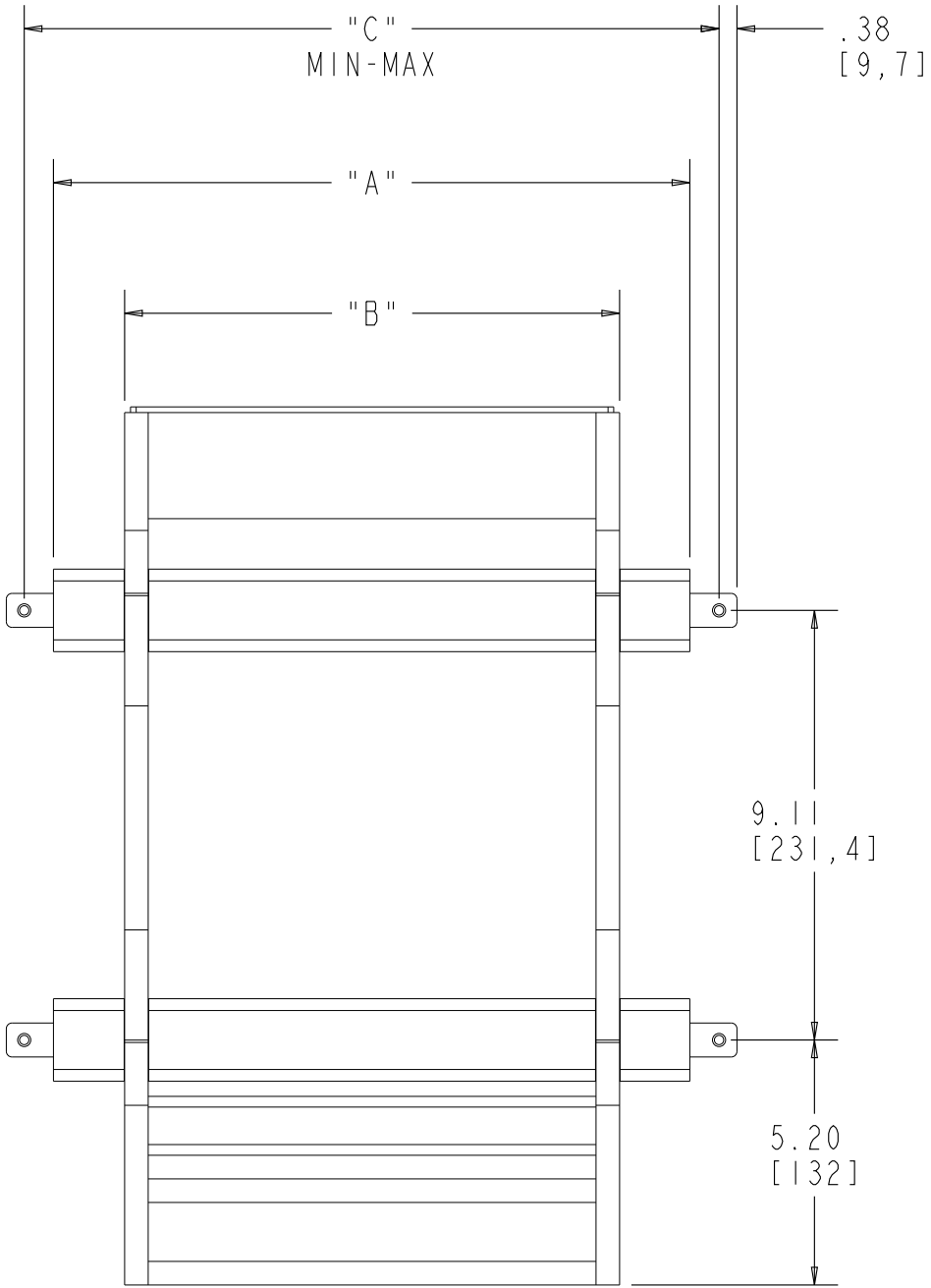


	4SBSU-15	4SBSU-18	4SBSU-21
"A"	10.50 [266,7]	13.50 [342,9]	16.50 [419,1]
"B"	9.00 [228,6]	10.50 [266,7]	13.50 [342,9]
"C" MIN	10.78 [273,8]	13.78 [350]	16.78 [426,2]
"C" MAX	15.78 [400,8]	18.78 [477]	21.78 [553,2]



CUSTOMER DRAWING

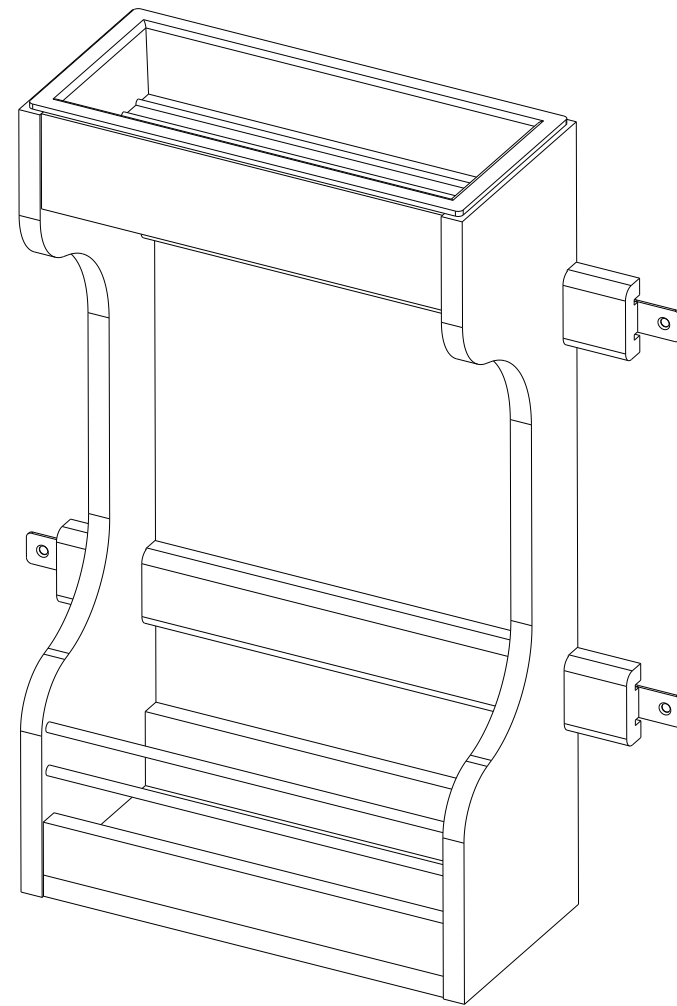
This drawing is the property of Rev-A-Shelf (RAS) and is disclosed in confidence to the extent its subject matter is original to RAS. Any vendor receiving this drawing from RAS shall hold and use this drawing for the sole benefit of RAS and shall not disclose it to, or use or reproduce it for any third party, or perform any act adverse to the interest of RAS with respect to this drawing without the express written permission of RAS. Vendors shall not revise any physical, dimensional or performance characteristic unless authorized by Rev-A-Shelf Engineering.

REV.	DATE	BY	DESCRIPTION OF CHANGE

INCH [MM]	AMERICAN PROJECTION 	DRAWN	BY	DATE	REV-A-SHELF, INC.	
		LCS		7/26/22		
					SIZE	B
					SINK BASE DOOR STORAGE	
TOLERANCES					MATERIAL	DRAWING NO.
MAT. DEC. (WOOD) .XX ±.03 [8mm] (OTHER) .XX ±.02 [5mm] (ALL) .XXX ±.005 [13 mm] FRACTIONS ±1/32 [8 mm]					FINISH	4SBSU-**
ANGLES ±1/2°					SCALE	
					0.250	
					PART NO.	
					4SBSU-**	
					SHEET OF	
					1 2	

MIN CABINET OPENING

	4SBSU-15				4SBSU-18				4SBSU-21			
	FACE FRAME	FRAMELESS	INSET FACE FRAME	INSET FRAMELESS	FACE FRAME	FRAMELESS	INSET FACE FRAME	INSET FRAMELESS	FACE FRAME	FRAMELESS	INSET FACE FRAME	INSET FRAMELESS
WIDTH	11.63 [295]	11.63 [295]	11.63 [295]	11.63 [295]	14.38 [365]	14.38 [365]	14.38 [365]	14.38 [365]	17.25 [438]	17.25 [438]	17.25 [438]	17.25 [438]
DEPTH	5.25 [133]	5.25 [133]	6.00 [152]	6.00 [152]	5.25 [133]	5.25 [133]	6.00 [152]	6.00 [152]	5.25 [133]	5.25 [133]	6.00 [152]	6.00 [152]
HEIGHT	19.00 [483]	19.00 [483]	19.00 [483]	19.00 [483]	19.00 [483]	19.00 [483]	19.00 [483]	19.00 [483]	19.00 [483]	19.00 [483]	19.00 [483]	19.00 [483]



PART DIMENSIONS

	4SBSU-15	4SBSU-18	4SBSU-21
WIDTH *	10.50 [267]	13.50 [343]	16.50 [419]
DEPTH	5.00 [127]	5.00 [127]	5.00 [127]
HEIGHT	18.62 [473]	18.62 [473]	18.62 [473]

\* NOT INCLUDING BRACKETS

CUSTOMER DRAWING

This drawing is the property of Rev-A-Shelf (RAS) and is disclosed in confidence to the extent its subject matter is original to RAS. Any vendor receiving this drawing from RAS shall hold and use this drawing for the sole benefit of RAS and shall not disclose it to, or use or reproduce it for any third party, or perform any act adverse to the interest of RAS with respect to this drawing without the express written permission of RAS. Vendors shall not revise any physical, dimensional or performance characteristic unless authorized by Rev-A-Shelf Engineering.

REV.	DATE	BY	DESCRIPTION OF CHANGE

INCH [MM]	AMERICAN PROJECTION 	DRAWN	BY	DATE	REV-A-SHELF, INC.
		LCS	LCS	7/26/22	
		SIZE		B	
		DRAWING NO.		4SBSU-**	
		SCALE		0.250	
		PART NO.		4SBSU-**	
		FINISH		SHEET 2 OF 2	
TOLERANCES		ANGLES			
MAT. DEC. (WOOD) .XX ±.03 [.8mm] (OTHER) .XX ±.02 [.5mm] (ALL) .XXX ±.005 [.13 mm] FRACTIONS ±1/32 [.8 mm]		±1/2°			