







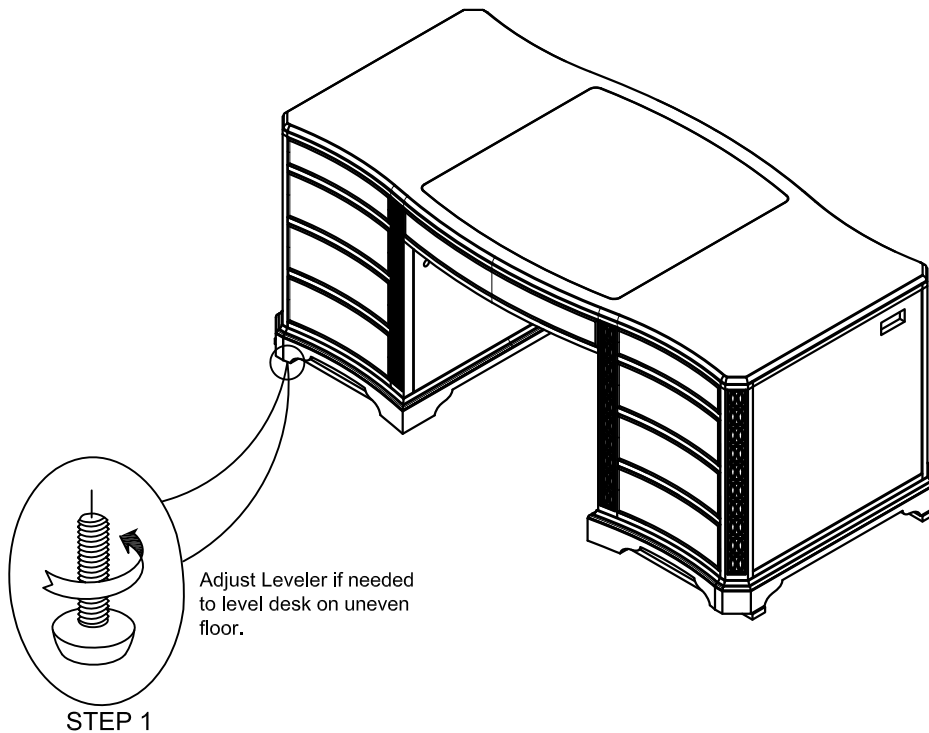


ITEM: 6750-10563-85 Executive Desk

Thank you for purchasing this quality product. Be sure to unpack carefully looking for small parts which may have come loose during shipment.
Read all instruction and study the drawing carefully before starting the assembly process.

HARDWARE PACK					PART LST			
NO.	DRAWING	DESCRIPTION	SIZE	Q'TY	NO.	DRAWING	DESCRIPTION	Q'TY
H		Allen Wrench	73*29*5mm	1PC	1		Top Side Drawer	2PCS
					2		Keyboard Drawer	1PC
					3		Top	1PC
					4		Center Section	1PC
					5		Left Pedestal	1PC
					6		Right Pedestal	1PC
					7		Back Panel	1PC

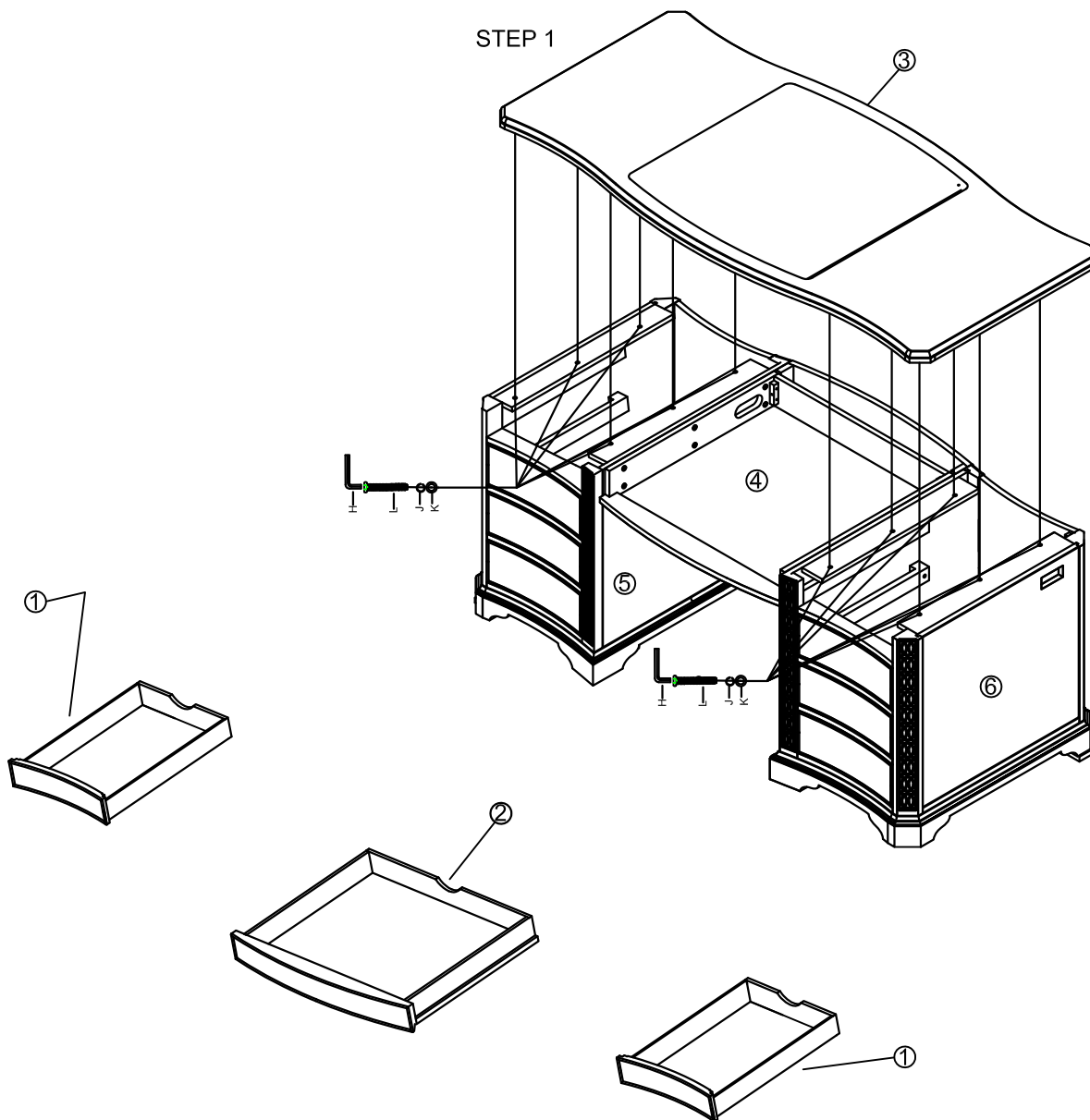


Note: Anti-tip kit restraint is provided. Please follow the instructions enclosed with the pack.

ITEM: 6750-10563-85 Executive Desk

Thank you for purchasing this quality product. Be sure to unpack carefully looking for small parts which may have come loose during shipment.
Read all instruction and study the drawing carefully before starting the assembly process.

For easier delivery, the desk can be taken apart as shown below.

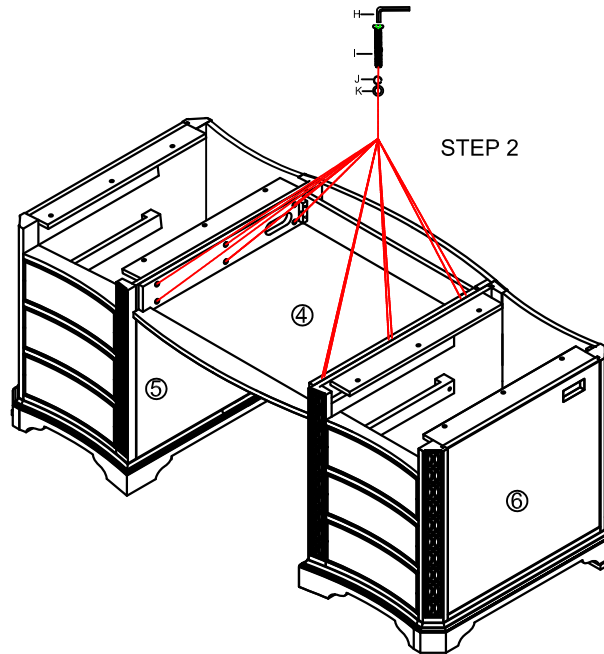


Step 1: Take out all drawers (1 & 2), then loosen bolts (L), lock washers (J), and flat washers (K) on the wood cleats by using allen wrench (H) and remove top panel (3) from the desk.

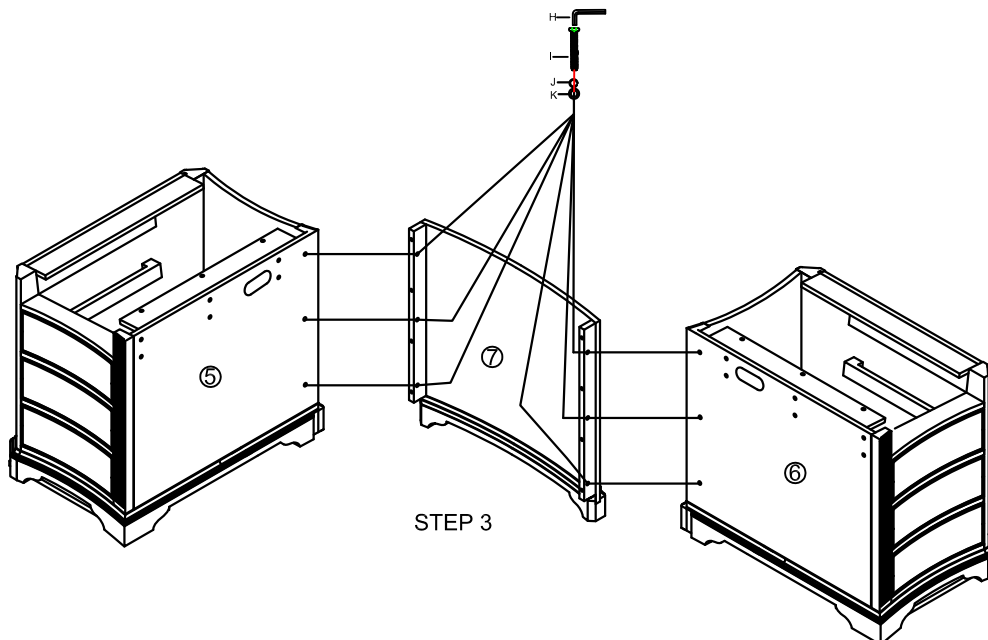
ITEM: 6750-10563-85 Executive Desk

Thank you for purchasing this quality product. Be sure to unpack carefully looking for small parts which may have come loose during shipment.

Read all instruction and study the drawing carefully before starting the assembly process.



Step 2: Loosen bolts (I), lock washers (J) and flat washers (K) by using allen wrench (H), then remove center section (4) from the desk.



Step 3: Loosen bolts (I), lock washers (J) and flat washers (K) by using allen wrench (H), then remove back panel (7) from left and right pedestal (5 & 6).