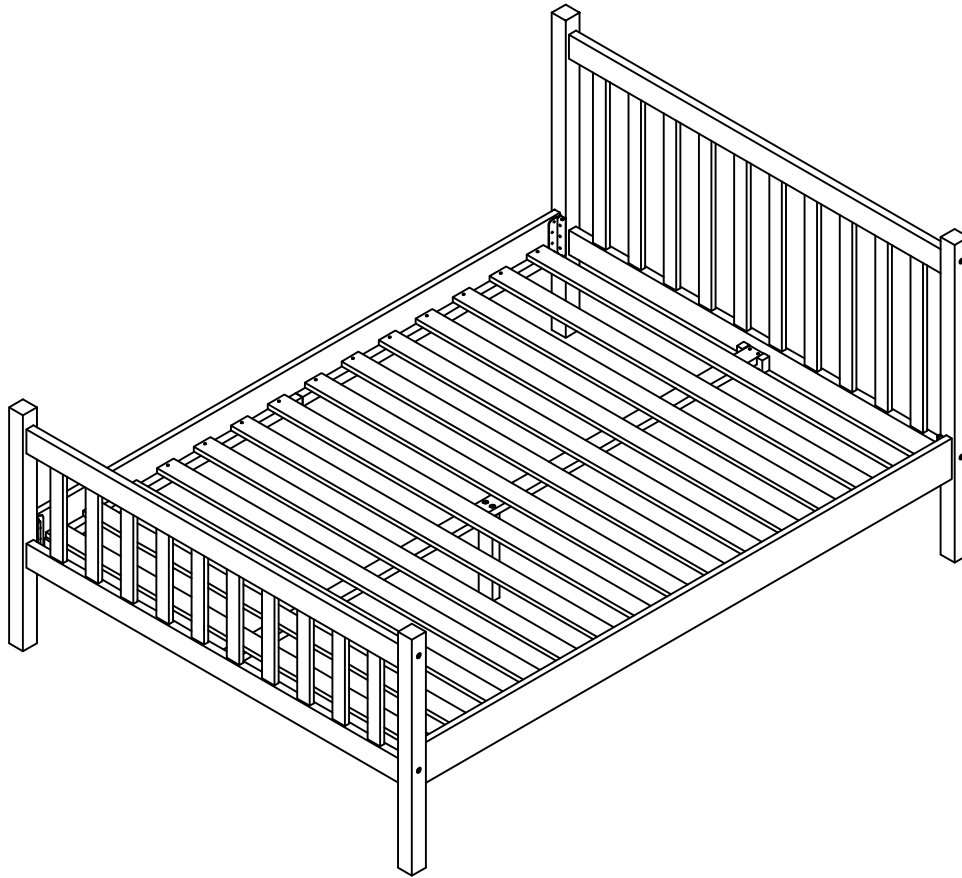


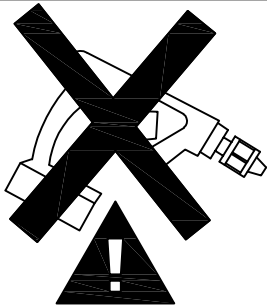
ASSEMBLY INSTRUCTION

Slat Full Bed

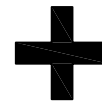
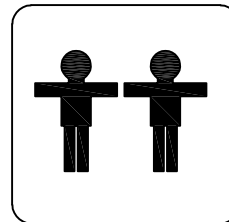


REPLACEMENT PARTS

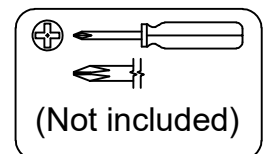
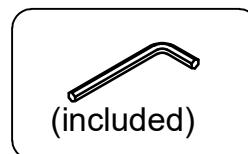
Please do not contact the company purchased from as we can help you faster.
Order replacement parts and hardware at " www.boltonfurniture.com "



. Use of power tool to assemble this product will invalidate any claim and damage this product making it unsafe !!!
. Please assemble on a clean soft surface to avoid damage.



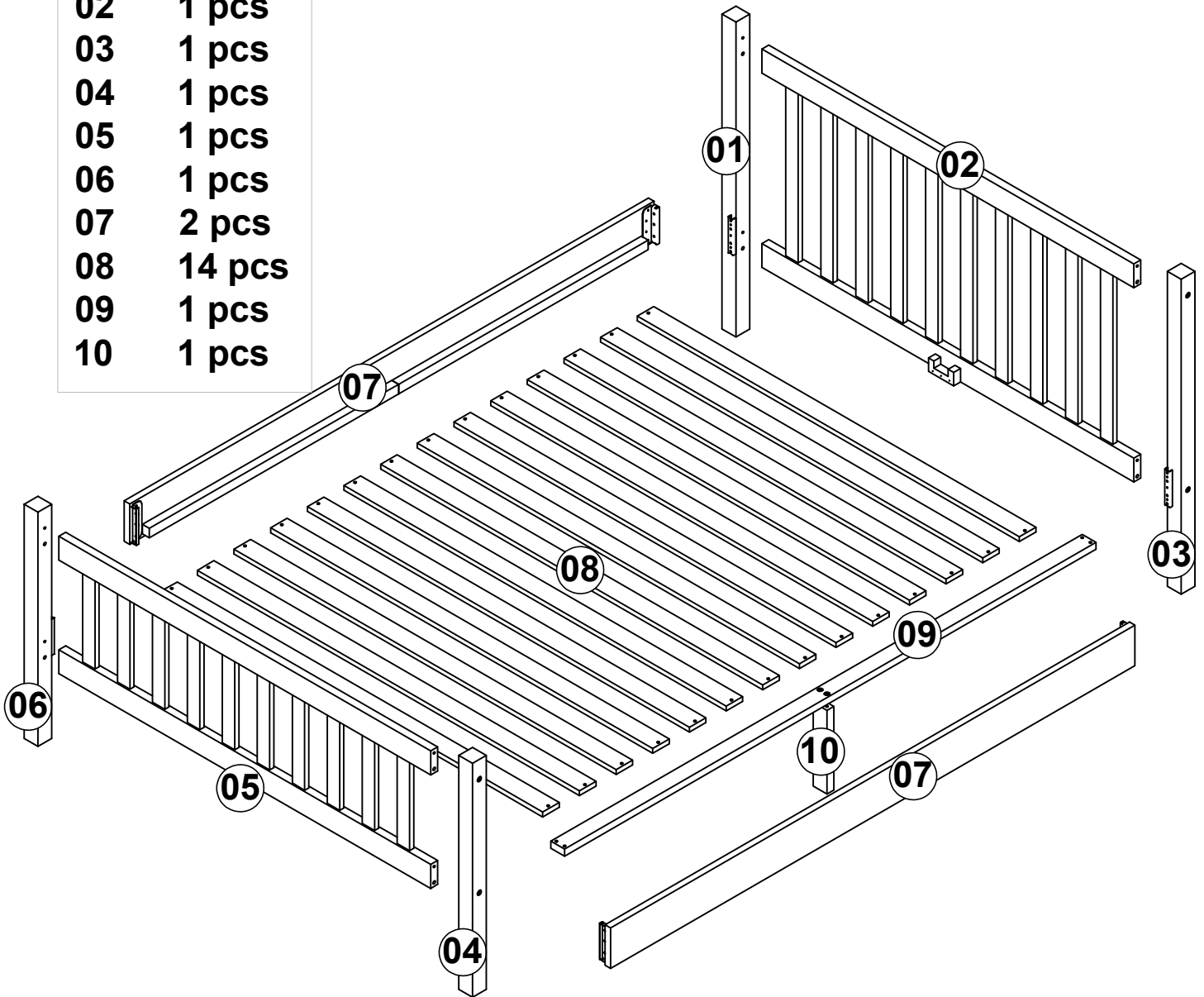
Tools Required




www.boltonfurniture.com

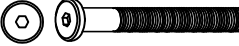
Part List :


- 01 1 pcs
- 02 1 pcs
- 03 1 pcs
- 04 1 pcs
- 05 1 pcs
- 06 1 pcs
- 07 2 pcs
- 08 14 pcs
- 09 1 pcs
- 10 1 pcs





Identifying the hardware-Identify the hardware using the illustrations below

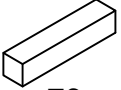
A  **08**
Ø10x35


B  **08**
M6x70mm Bolt


C  **32**
φ4 x 30mm Screw


D  **08**
M6x10mm Bolt

E  **02**

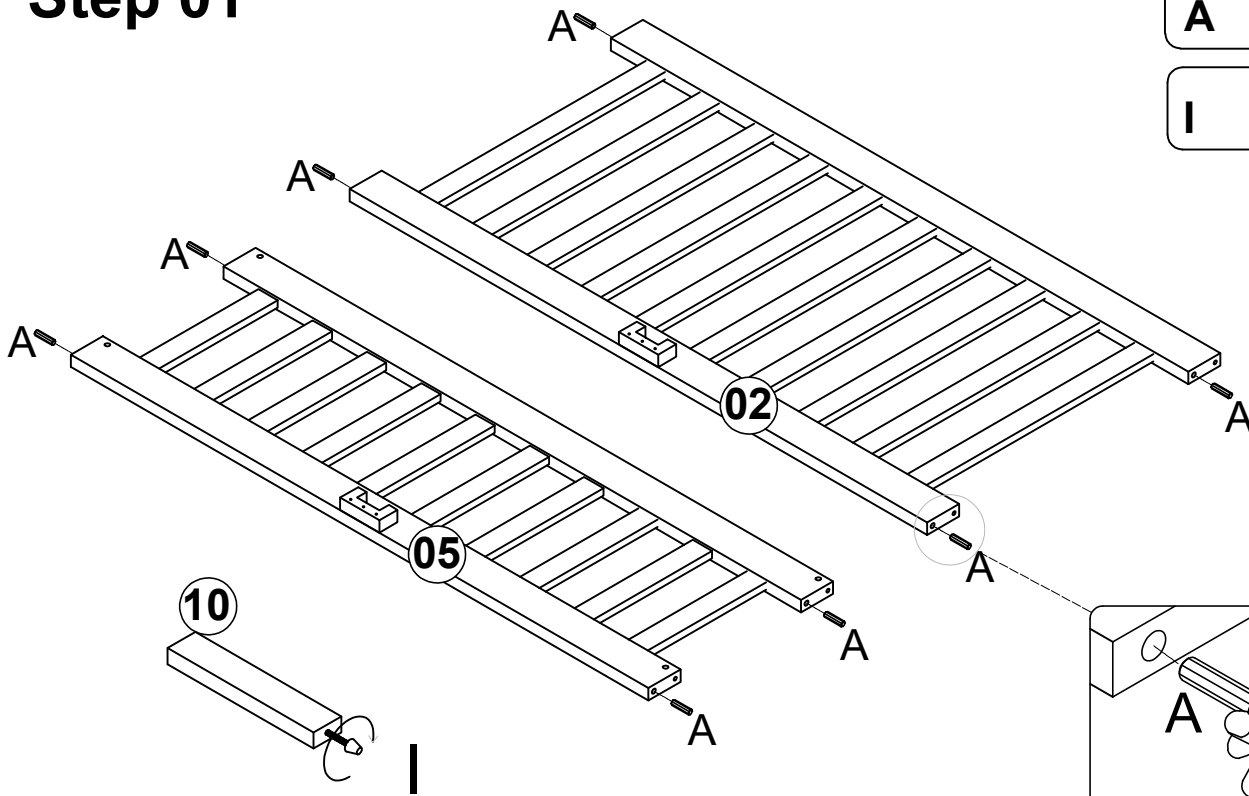
F  **02**
Spacer 73 mm



G  **08**
M6 x 13 mm

H  **02**
M6x35mm Bolt

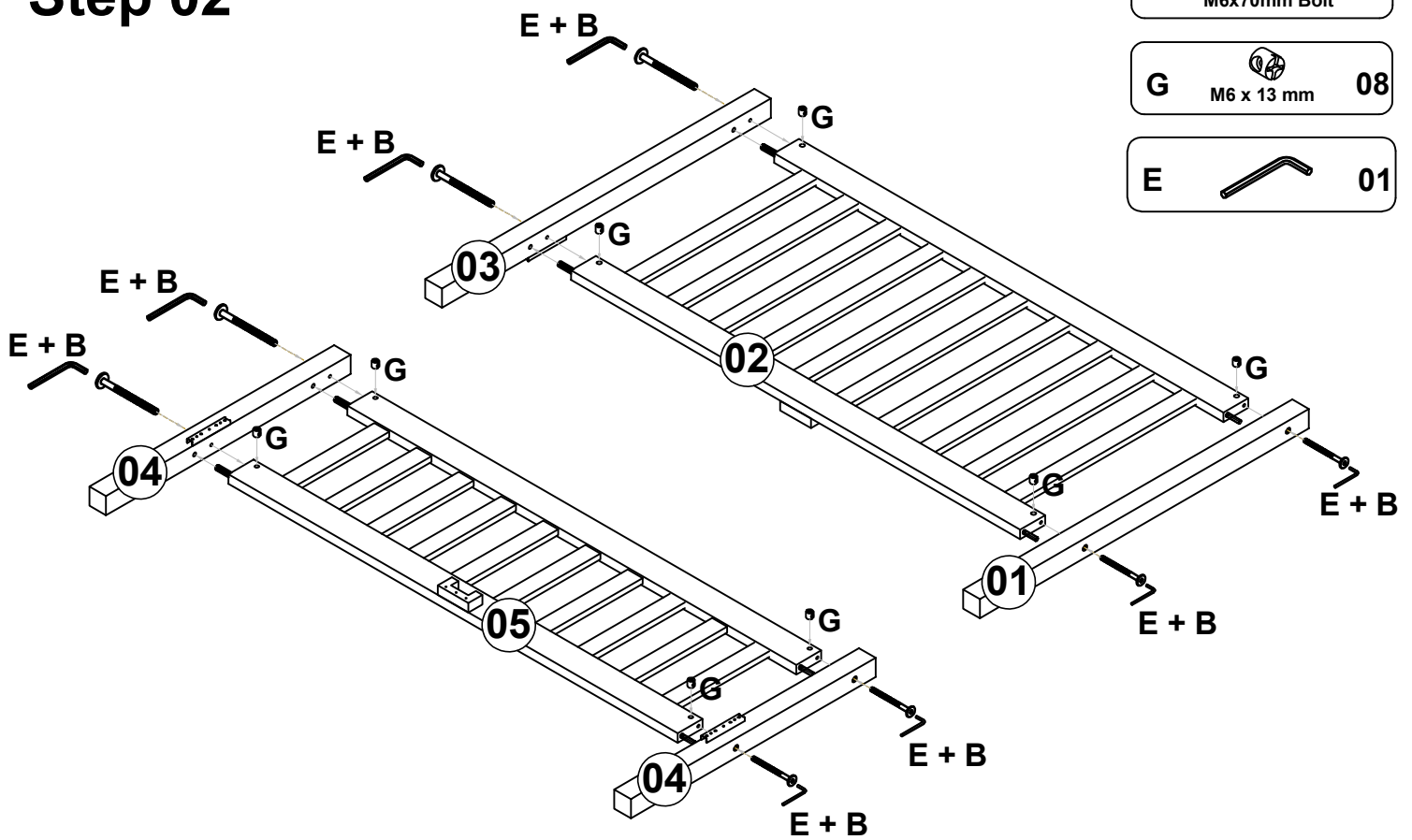
I  **01**




Step 01




- A**  Ø10x35 **08**
- I**  **01**

Step 02

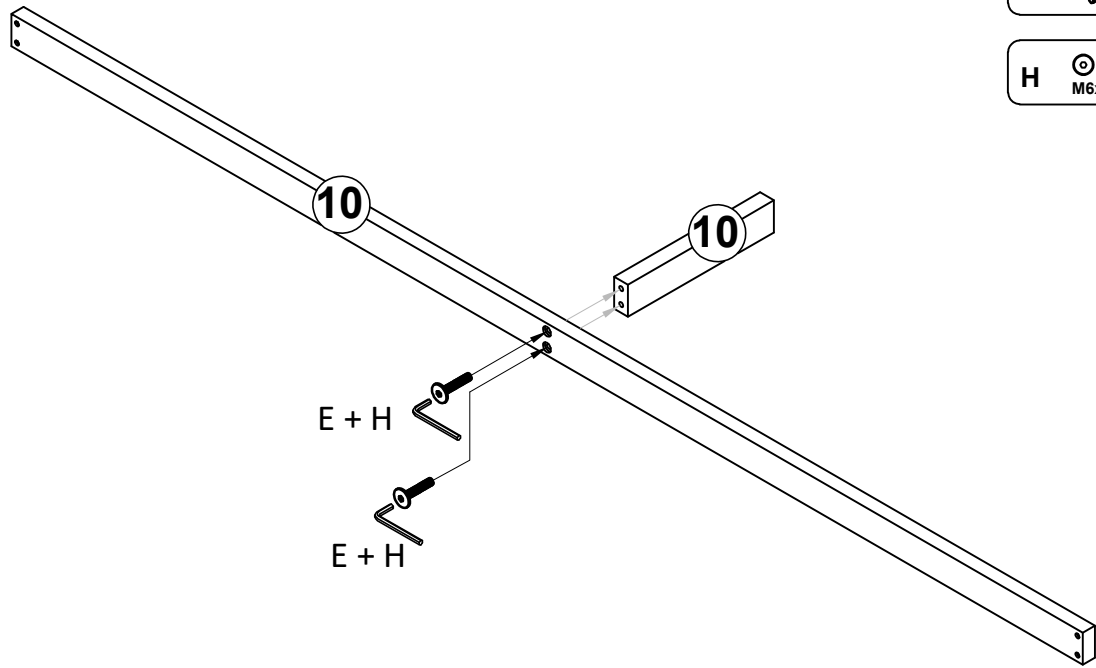


- B**  M6x70mm Bolt **08**
- G**  M6 x 13 mm **08**
- E**  **01**

Step 03


E  02


H  02
M6x35mm Bolt

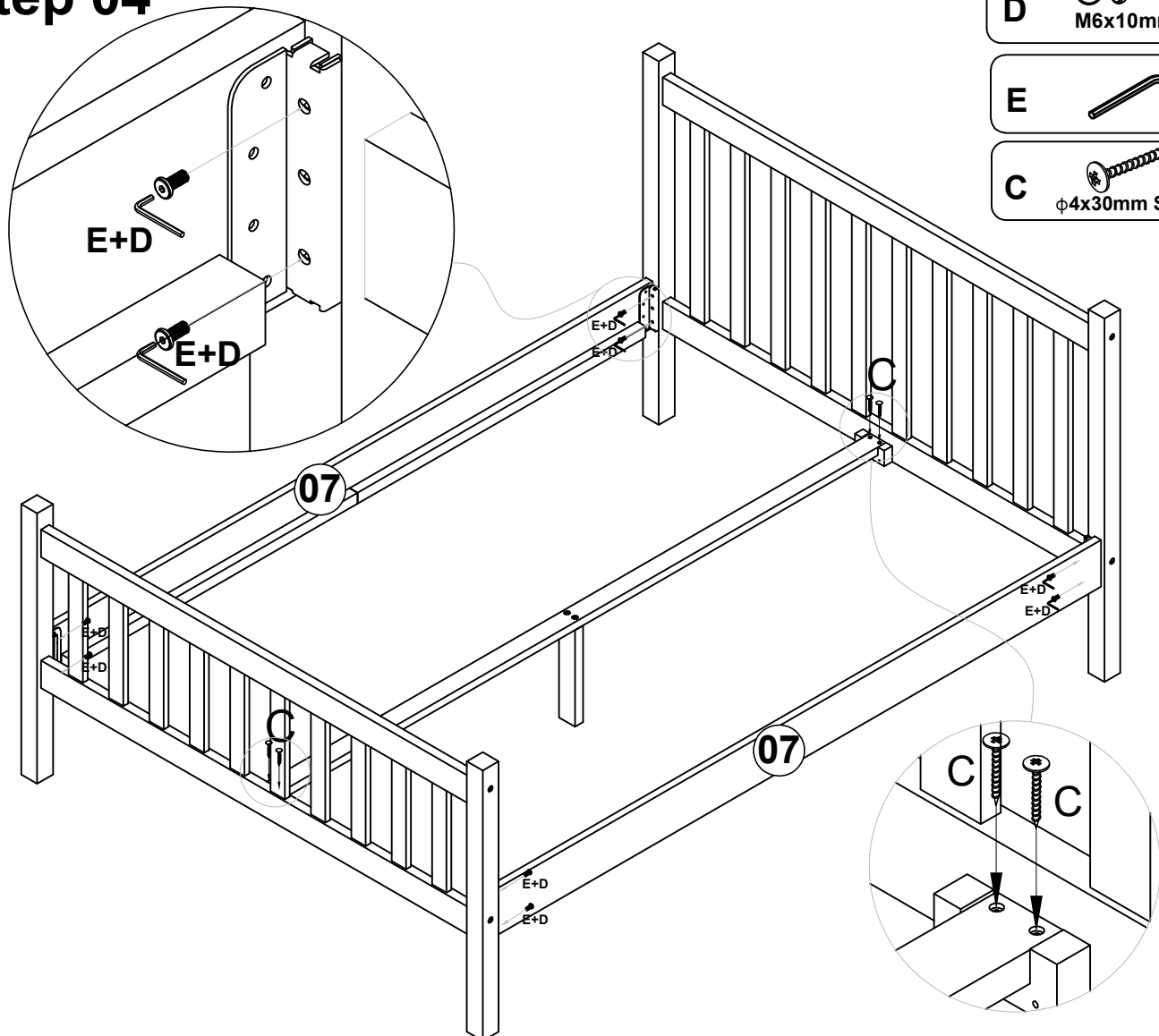


Step 04



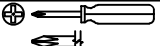
D  08
M6x10mm Bolt

E  01

C  04
φ4x30mm Screw



Step 05

- C**  **28**
φ4x30mm Screw
- F**  **02**
Spacer 73mm
-  **01**
(Not included)

