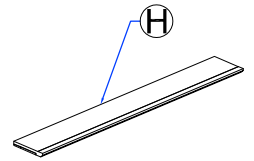
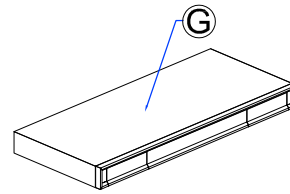
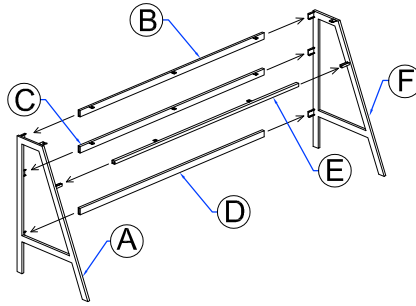


FINCH SECRETARY DESK ASSEMBLY INSTRUCTIONS



PARTS PACKING CONFIGURATION

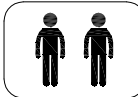
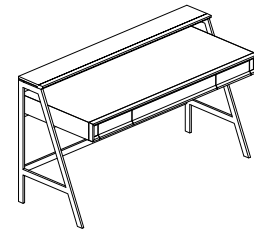
- A. LEFT SIDE ASSEMBLY 1PC
- B. BACK STRETCHER B 1PC
- C. BACK STRETCHER C 1PC
- D. BOTTOM STRETCHER 1PC
- E. TOP FRONT STRETCHER 1PC
- F. RIGHT SIDE ASSEMBLY 1PC
- G. LARGE TOP 1PC
- H. SMALL TOP 1PC



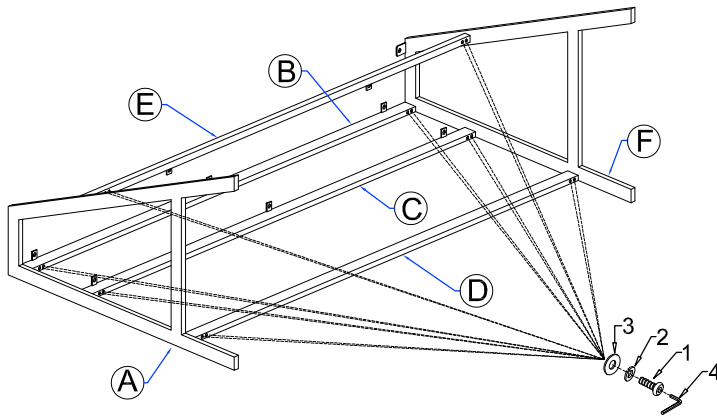
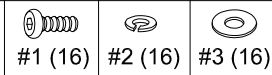
HARDWARE ENCLOSED IN CARTON

No	DESCRIPTION	IMAGE	QUANTITY
1	ALLEN BOLT (1/4" x 3/4")		26 PCS
2	LOCK WASHER (1/4")		26 PCS
3	FLAT WASHER (1/4")		26 PCS
4	ALLEN KEY		1 PC

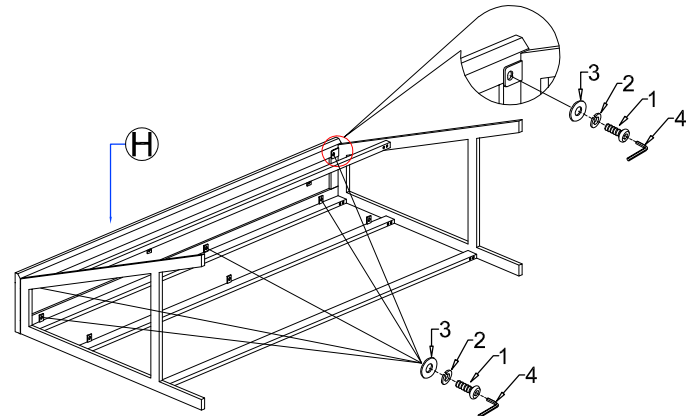
FINCH SECRETARY DESK FULLY ASSEMBLED



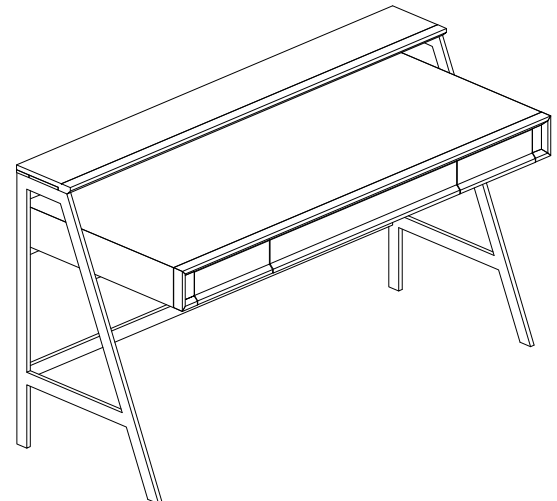
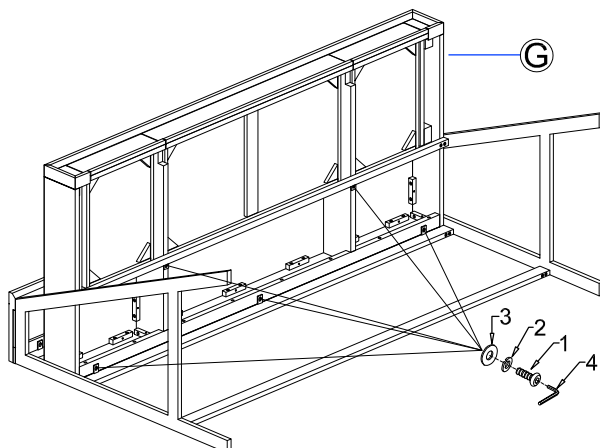
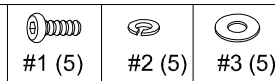
STEP 1:



STEP 2:



STEP 3:



FULLY ASSEMBLED