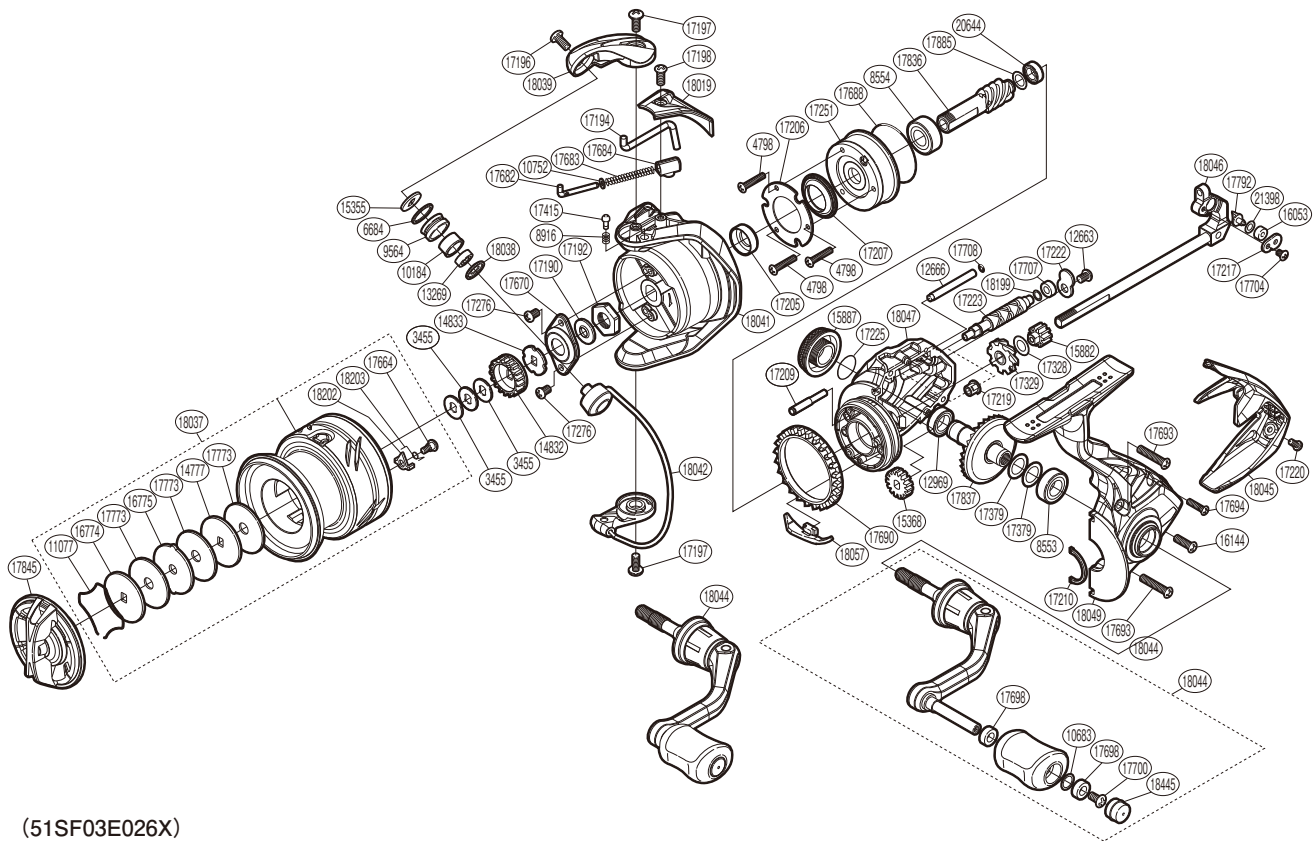


SHIMANO

ULTEGRA

ULT-2500HGFB



(51SF03E026X)

#	Part No.	Description	#	Part No.	Description	#	Part No.	Description
3455	10BXN	Spool Washer	17197	10PS5	Screw	17704	10LCD	Screw
4798	103C6	Screw	17198	10PS7	Screw	17707	106CN	Worm Bushing
6684	10KFD	Line Roller Spacer	17205	10JHG	Rotor Ring	17708	10JAC	O Ring
8553	107AT	Ball Bearing	17206	10L62	Roller Clutch Reinforce	17773	102ZG	Drag Washer
8554	107FE	Ball Bearing	17207	10MH6	Roller Clutch Water Proof	17792	106UZ	Oscillating Pawl
8916	10CH0	Click Spring	17209	10CLD	Idle Gear B Shaft	17836	101SS	Pinion Gear
9564	10JLE	Line Roller	17210	10CBD	Flange Water Proof	17837	101WY	Drive Gear
10184	10PFH	Line Roller Bushing	17217	10HAK	Oscillating Pawl Cover	17845	10DLX	Drag Knob
10683	10HTT	Washer	17219	106MA	Worm Bushing (Front)	17885	10HEP	Washer
10752	10TYE	Bail Spring Guide A Support	17220	10PRZ	Screw	18019	101ZG	Bail Spring Cover
11077	10MZX	Drag Washers Retainer	17222	10ATJ	Worm Shaft Retainer	18037	101ZU	Spool Assembly
12663	10LHQ	Screw	17223	1068G	Worm Shaft	18038	101ZK	Line Roller Support (B)
12666	10H17	Oscillating Guide A	17225	1090A	O Ring	18039	101ZE	Bail Arm
12969	107FA	Ball Bearing	17251	10QPN	Roller Clutch Assembly	18041	10TVA	Rotor
13269	104VX	Ball Bearing	17276	10PME	Screw	18042	10TVM	Bail Assembly
14777	10QBT	Key Washer	17328	10B7U	Washer	18044	101YX	Handle Assembly
14832	103MU	Spool Support A	17329	10R3M	Idle Gear B (Large)	18045	1020R	Rear Protector
14833	10J04	Spool Support B	17379	10GR3	Washer	18046	10SFP	Main Shaft Assembly
15355	107WZ	Line Roller Washer	17415	106ZC	Click Pin	18047	1020Q	Body
15368	10HBH	Idle Gear	17664	10TRB	Screw	18049	10U04	Side Cover
15882	106RH	Idle Gear B (Small)	17670	10TRH	Rotor Nut Lock Plate	18057	107E0	Bail Trip Strike
15887	10N3S	Handle Screw Cap	17682	1061L	Bail Spring Guide A	18199	10ECK	Washer
16053	10JXM	Oscillating Slider Bushing	17683	105R6	Bail Spring	18202	10DS4	Drag Click
16144	10M2L	Screw	17684	107AB	Bail Spring Seat	18203	10DS6	Drag Click Spring
16774	10BCE	Key Washer	17688	10MLU	O Ring	18445	10TY0	Handle Knob Seal
16775	102ZD	Eared Washer	17690	104FV	Friction Ring	20644	10RKR	Ball Bearing
17190	107L4	Bearing Water Proof	17693	10TND	Screw	21398	10RKQ	Washer
17192	1067Y	Rotor Nut	17694	10TP1	Screw			
17194	106P2	Bail Trip Lever	17698	10PXZ	Handle Knob Bushing	18054	10G4L	Anti Line Slip Sticker
17196	10PS8	Screw	17700	10LFA	Screw			

Please note that the number of adjusting washers may not be the same as shown in the exploded views.
(Adjustment will vary with each individual product.)

(240627)_008