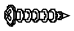


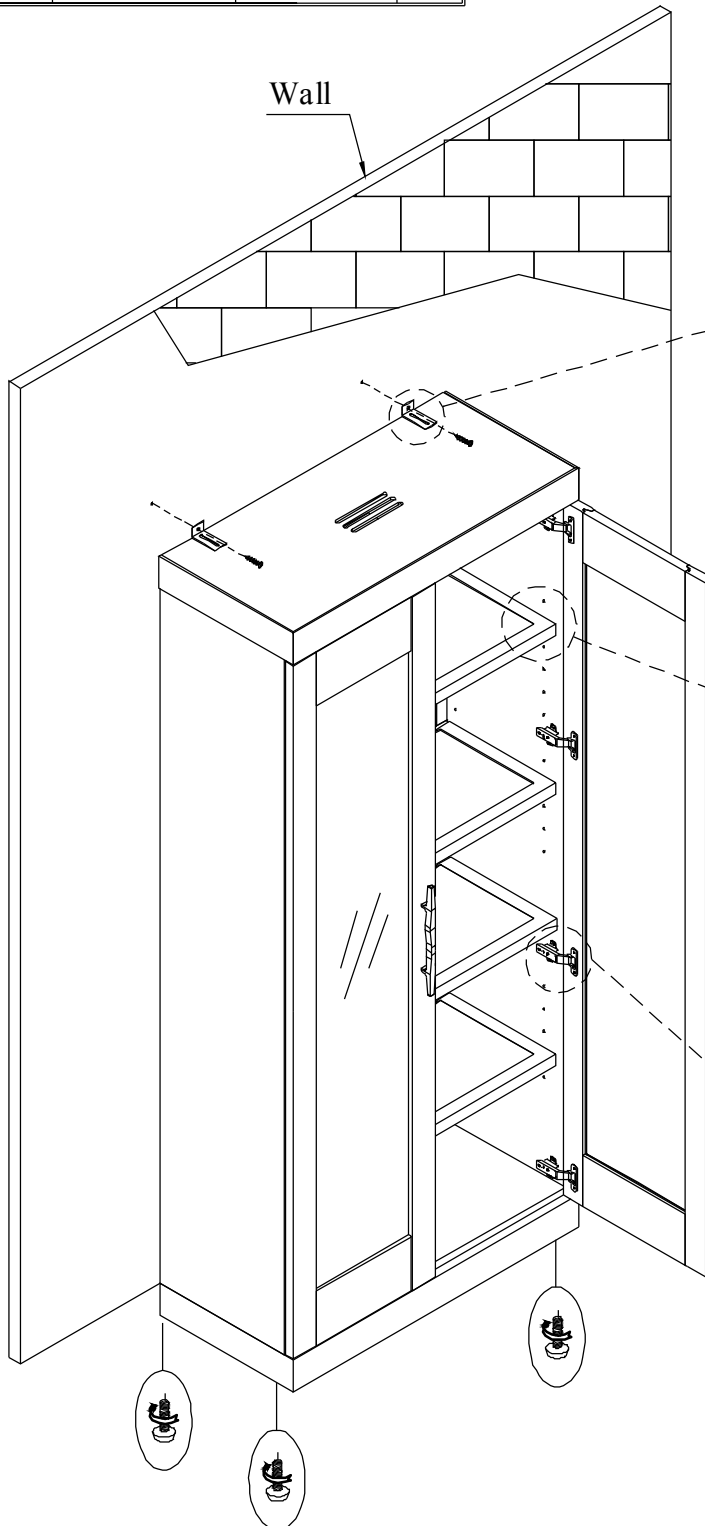
## Item: 6120-75906-80 Display Cabinet

Thank you for purchasing this quality product. Be sure to unpack carefully looking for small parts which may have come loose during shipment.

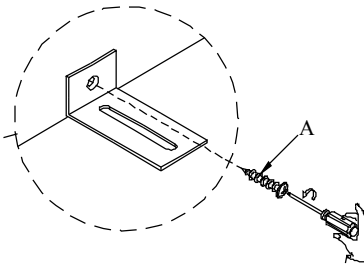
Read all instruction and study the drawing carefully before starting the assembly process:

### HARDWARE PACK

NO	DRAWING	DESCRIPTION	SIZE	Q'TY
A		Screw	8#*1"	2pcs

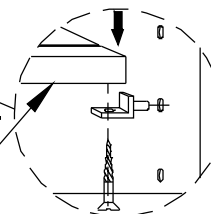


**Note: MUST ATTACHED TO THE WALL AND TIGHT THE SCREW**

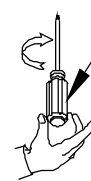


**Adjustable Shelf**

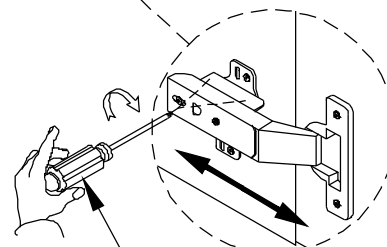
**Step 1**



**screwdriver  
(not Provided)**



**Step 3**



**screwdriver  
(not Provided)**

**Adjust levelers if needed, to level case on uneven floor**