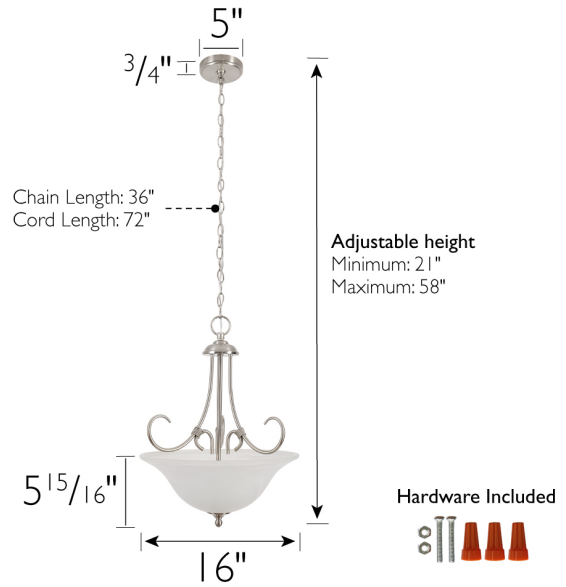


Willowdale Three Light Pendant Light with Alabaster Glass
Satin Nickel



SPECIFICATIONS

MOUNTING: Pendant
SLOPED CEILING ADAPTABLE: No
BULB INCLUDED: No
WATTS PER BULB: Maximum 60W Medium Base Bulb
TOTAL WATTAGE: 180W Maximum
DIMMABLE: Yes
MATERIAL CONSTRUCTION: Iron
ASSEMBLED DIMENSIONS: 21" H x 16" L x 16" D
WEIGHT: 6.39 lbs.

ENERGY EFFICIENT: No
LIGHTING AMPS: 1.5
VOLTAGE: 120V

GLASS/SHADE DIMENSIONS: 5¹⁵/₁₆" H x 16" L x 16" D
GLASS/SHADE MATERIAL: Glass
GLASS/SHADE TYPE: Alabaster
GLASS/SHADE COLOR: White

WARRANTY: 10-Year limited warranty
UL/ETL CERTIFICATION: cETL/ETL
WET/DRY/DAMP LISTING: Dry
ADA COMPLIANT: No
ENERGY STAR CERTIFIED: No



TYPE:
 JOB:
 ORDER CODE:
 APPROVALS: