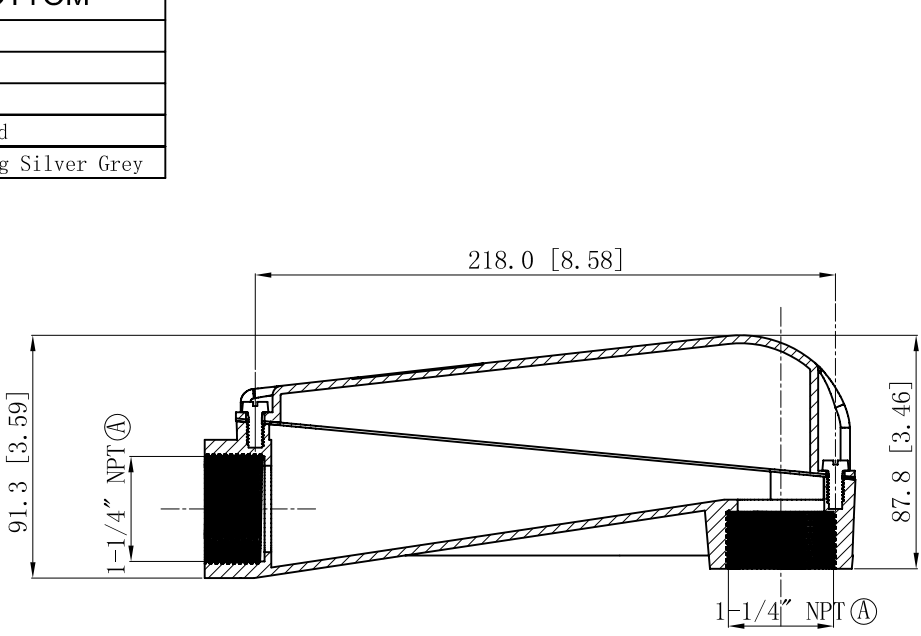
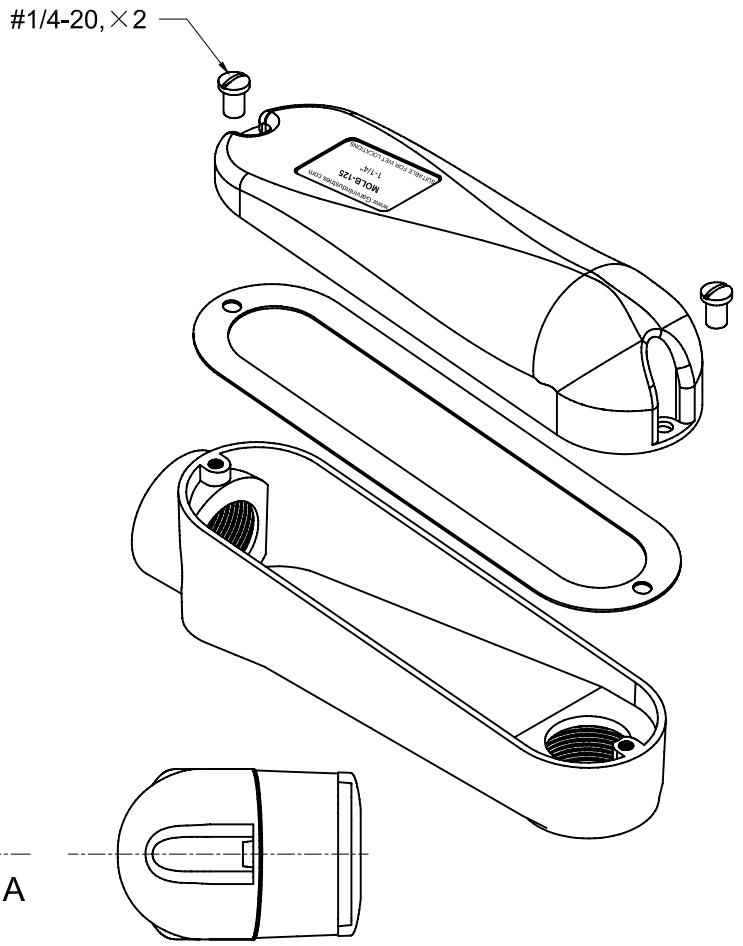
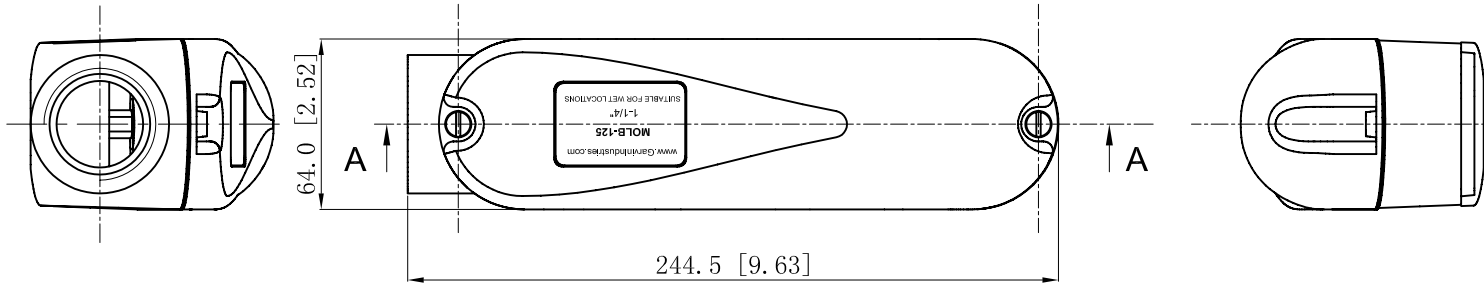


SIDES	BOTTOM
2 PCS 1/4-20×3/8 Screws Installed	
Material: Aluminum - Powder Coating Silver Grey	



CUTAWAY VIEW A-A



DESCRIPTION
TRADE REFERENCE TERMS

STANDARD PACKING		TITLE	
2 PCS	GARVIN INDUSTRIES		
	MUGUL LB GONDUIT BODY		
SIZE	DWG NO.	REV	
A4	MOLB-125	A	
DATA SHEET			

This data sheet is for reference only .GARVIN INDUSTRIES reserves the right to make changes to the design without prior notice.