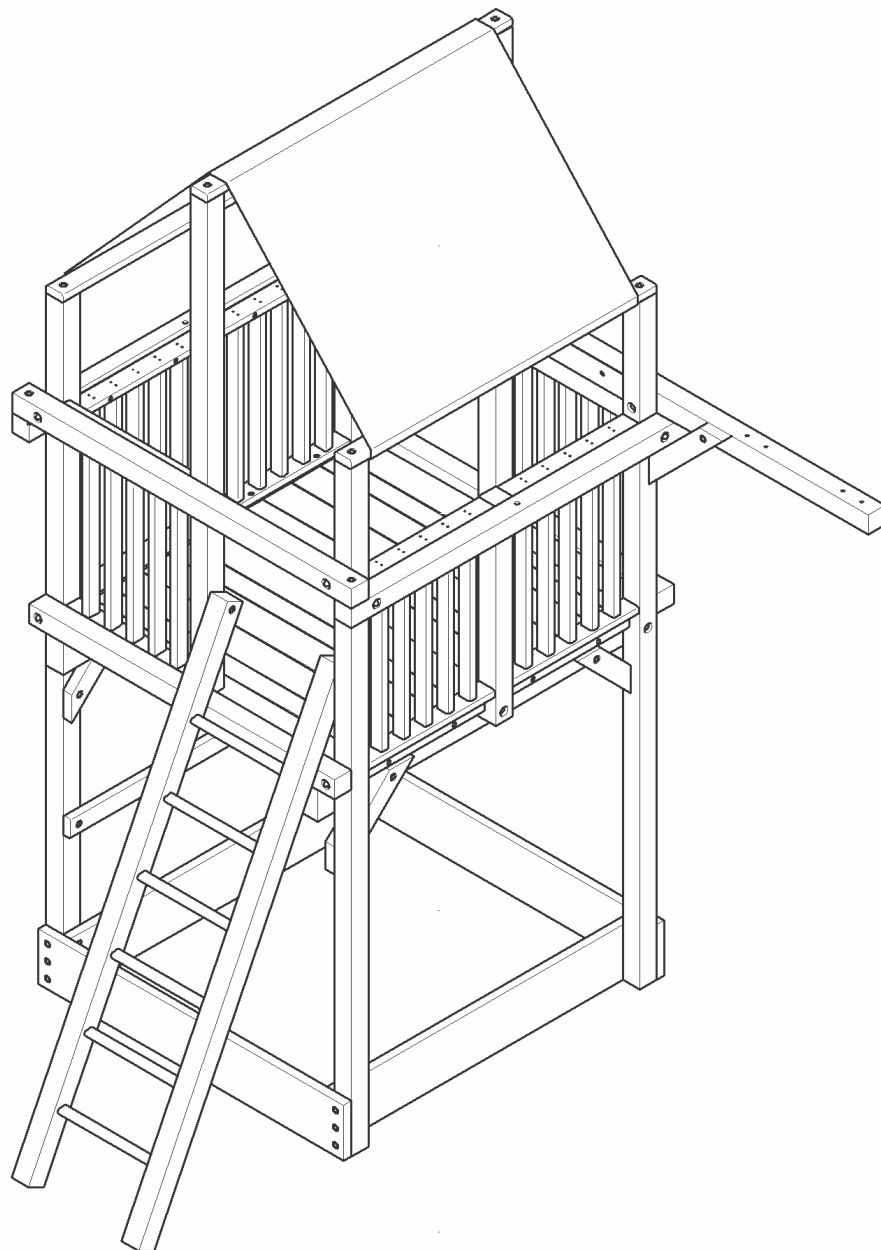


# ChildLife<sup>®</sup>

## Playsets

### Leopard's Lair 5' & 6' Assembly Instructions



# INTRODUCTION

Welcome to our family of ready-to-build backyard play equipment. WOODPLAY playsets are designed with ease of assembly in mind and we provide these step-by-step installation instructions.

After reading the information below, locate your structure site and carefully unpack parts. As you unpack your playset, notice the part identification tags on each part and become familiar with each part before beginning assembly. **Remember that a little extra time spent familiarizing yourself with the parts and instructions before you begin will help you avoid mistakes and save you time later.**

## Choosing A Location For Your Playset

When selecting your structure site, always keep the child's safety in mind. Here are some recommendations to help you create a safe play area.

A. The playset should be located on level ground. The stationary components such as ladders and slides are **REQUIRED** to be a minimum of six feet from any structure or obstruction such as a fence, garage, house, tree or overhanging branches, electrical wires or clotheslines. Any swinging equipment is also **REQUIRED** to be a minimum distance twice the height of the swing beam away from these obstructions or structures as well. We also recommend that you do not install your playset near a lake, river, swimming pool or other water hazard.

B. The U.S. Consumer Product Safety Commission (CPSC) recommends that you install and maintain a resilient surface under your play equipment. The CPSC's Consumer

Information Sheet for Playground Surfacing Materials is on the last page. A resilient surface, should be installed after the equipment has been completely assembled according to these instructions. The equipment must rest on solid ground. Please note that this product has a maximum fall height of 8'.

Do not install home playground equipment indoors, or over concrete, asphalt, packed earth, grass, carpet or any other hard surface. A fall onto a hard surface can result in serious or fatal injury.

Responsible on-site adult supervision is one of the most important contributions to children's safety that you can make. WOODPLAY strongly recommends on-site adult supervision of children of all ages. Safe swinging and climbing skills need to be taught to children, just like any other physical activity.

## Maintaining Your Playset

Here are some maintenance tips required to insure safe enjoyment of your equipment for years to come.

A. At the beginning of each usage season and every two weeks during, check: nuts and bolts and tighten as needed, swing seats, chains, ladders, slides, rope and wood components for signs of deterioration and replace if necessary.

B. On a yearly basis, we recommend that you coat your playset with a sealant or preservative. You may also want to spot sand any areas prior to sealing. Be sure that the sealant you select is non-toxic and child safe. Your local WOODPLAY dealer may offer a complete sealant and maintenance program.

C. Do not use line trimmers or "weed eaters" around your play equipment. The line will remove both paint and wood from uprights and base pieces. Any damage resulting from this type of abuse is not covered under our limited warranty.

D. Remove plastic swing seats and take indoors or do not use when the temperature drops below 0° F.

E. When the time comes to disassemble and dispose of the play equipment, do so in such a way that no hazards will exist at the time the equipment is discarded.

**If you have any questions about your playset, or are in need of replacement parts, contact your local WOODPLAY Representative. Please keep these instructions for future reference.**

# SAFETY INSTRUCTIONS

## Adults Must:

- Limit climbing and swinging heights to each child's ability.
- Verify that suspended climbing ropes are secured at both ends.
- Verify that suspended climbing ropes cannot be looped back on themselves.
- Dress children appropriately for play. Use well-fitting Shoes that do not have slippery soles.
- Avoid ponchos, scarves, hoods, loose-fitting clothing, neckties, and any clothing with a drawstring. Serious injury could result should any part of the children's clothing become entangled in the equipment.
- Do not allow children to play wearing helmets.
- Remember that children are inventive. When they develop games that are unsafe, be alert and change the rules.
- Note the weight limit for any single user on WOODPLAY equipment is 200 pounds. Limit the number of users to one on each swing. The tower portion of the play system will accommodate four to six additional users with a max combined weight of 1100 pounds for entire playset.
- This product is intended for use by children from ages 3 to 12 years of age

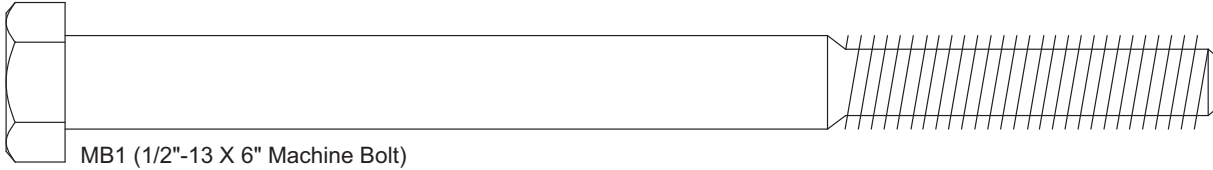
## Teach Children:

- Not to walk close to, in front of, behind, or between moving items.
- Not to twist the swing ropes, or loop them over the top support bar, since this may reduce the strength of the rope.
- Not to swing empty swing seats.
- Not to swing sideways into the path of adjacent swings.
- Not to use the equipment in a manner other than that for which it is intended.
- Not to get off the equipment while it is in motion.
- Not to jump off the tower.
- Not to climb or swing when they are wet or when the equipment is wet.
- To sit in the center of the swings with their full weight on the seats.
- To hold on to swings and climbers with both hands.
- Not to stand in the swing seats.
- Not to ride or leave bicycles or other toys in the swing area.
- Not to use hammers, saws, nails, or wrenches on the equipment.
- Not to swing so high that chains become slack, or above the height of the swing support.
- Not to jump on a slide.
- Not to climb on top of the swing support.
- Not to attach to the playground equipment any item that is not specifically designed for use with the equipment, such as (but not limited to) jump ropes, clotheslines, pet leashes, cables, and chains. These may become strangulation hazards.
- To slide feet first, never head first.
- To watch for other children while swinging or playing near the equipment.

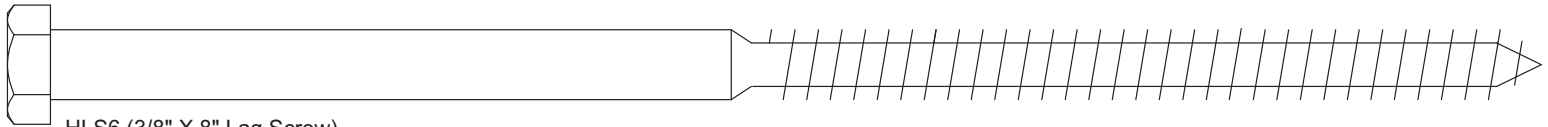
# HARDWARE IDENTIFICATION

## NOTE TO INSTALLER

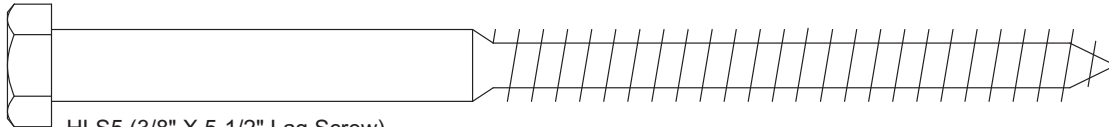
You must assemble this product in accordance with these Assembly Instructions. After assembly is complete, please give this Owner's Manual to the owner of the play system.



MB1 (1/2"-13 X 6" Machine Bolt)



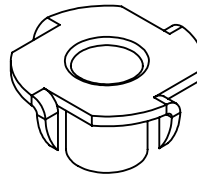
HLS6 (3/8" X 8" Lag Screw)



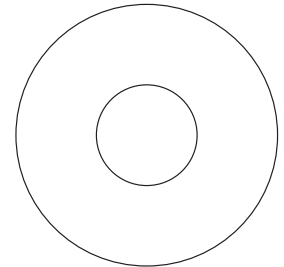
HLS5 (3/8" X 5-1/2" Lag Screw)



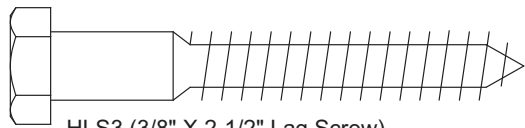
HLS4 (3/8" X 3" Lag Screw)



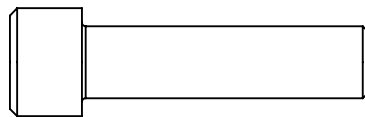
TN1 (3/8" T-NUT)



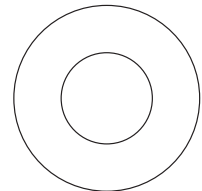
FW4 (1/2" Standard Flat Washer)



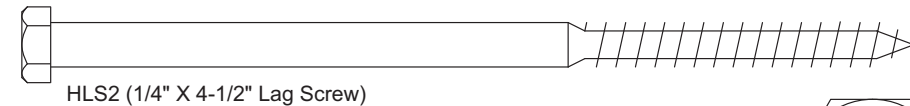
HLS3 (3/8" X 2-1/2" Lag Screw)



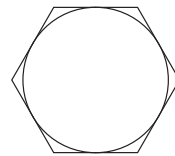
SH1(3/8" Shoulder Bolt)



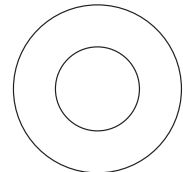
FW2 (3/8" Standard Flat Washer)



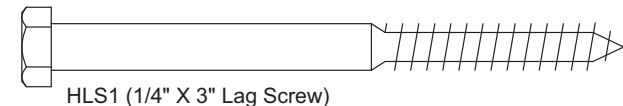
HLS2 (1/4" X 4-1/2" Lag Screw)



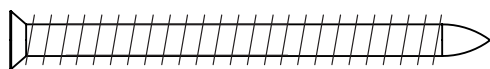
ACRN1 (1/2"-13 Acorn Nut)



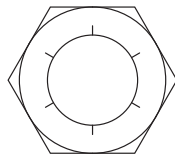
FW3 (3/8" Narrow Flat Washer)



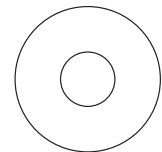
HLS1 (1/4" X 3" Lag Screw)



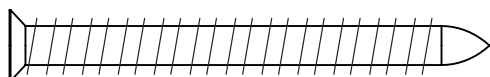
FHS1 (#8" X 2 1/2" Flat Head Screw)



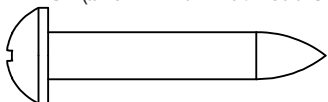
SN2 (1/2"-13 Loc Nut)



FW1 (1/4" Standard Flat Washer)



FHS2 (#10" X 2 1/2" Flat Head Screw)



RHS2 (#14" X 1 1/2" Flat Head Screw)

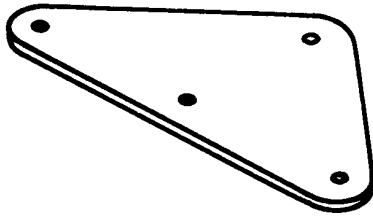
# TOOLS NEEDED

## Tools Needed:

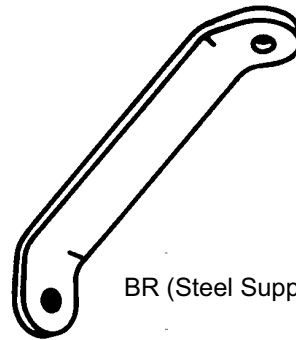
Hammer  
Carpenter's Level  
Tape Measure  
3/8" Drive Ratchet  
7/16" Socket (for 1/4" Lag Screws)  
9/16" Socket (for 3/8" Lag Screws)  
3/4" Socket (for 1/2" Machine Bolts & Nuts)  
Drill & 3/8" Bit  
A Friend or Neighbor

# SWING BEAM HARDWARE

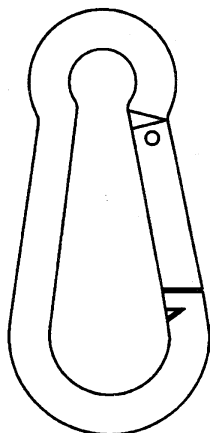
NOTE: All items shown may not be required or are optional for your playset.



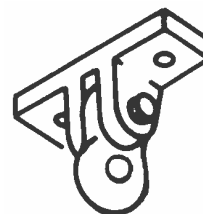
PL (Steel Triangle Plate)



BR (Steel Support Brace)



CL (Spring Clip)

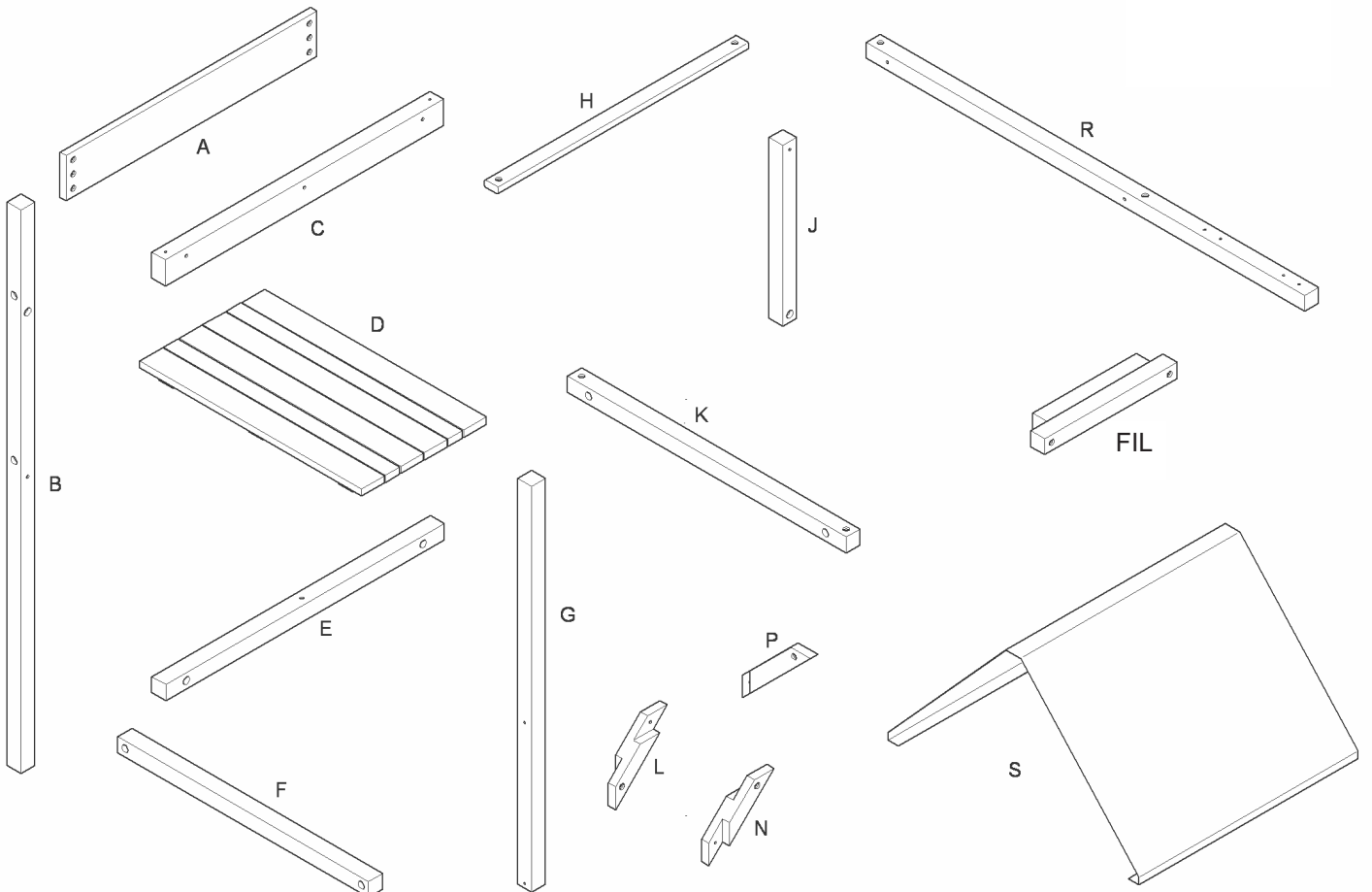


DH (Ductile Swing Hanger)

# PARTS LIST

NOTE: Some options (eg. Overhead Climber) are shown in addendum sheets.

ITEM	DESCRIPTION	PART NUMBER	QUANTITY
A	60 5/8" Sandbox Side	PG-210-061-SBS	4
B	113 1/2" 4X4 CORNER POST	PG-4X4-114-CP	(4)
	125 1/2" Corner Post	PG-4X4-126-CP-B	
C	Deck Support	PG-4X6-067-DS	2
D	53 5/8" Deck - 30 1/8 Wide	RW-DEK-054-030-W	2
E	67 3/8" Safety Rail	PG-4X4-067-SR	2
F	60 5/8 Deck Frame	PG-4X4-061-DF	2
G	85" Vertical Roof Support	PG-4X4-085-VRS	2
H	60 5/8" Horizontal Roof Support	PG-2X4-061-HRS	4
J	37 7/8" Vertical Panel Divider	PG-4X4-038-VPD	2
K	67 3/8" Safety Rail - A	PG-4X4-067-SR-A	1
L	20" - 45 Degree Angle Brace Left	PG-4X4-020-BRL	2
N	20" - 45 Degree Angle Brace Right	PG-4X4-020-BRR	2
P	26 1/2" 45 Degree Angle Brace Right	PG-4X4-026-BRR	(1)
R	106" Accessory Arm	PG-4X4-106-AA	
S	96 1/2" Vinyl Roof	VL-RFG-097-054	1
FIL	Ladder Spacer Assembly	RW-FIL-029-007	1



### 5 Foot Step Ladder

ITEM DESCRIPTION	PART NUMBER	QUANTITY
T 102" Step Ladder Rail Left	PG-4X4-102-STP-LRL	1
U 102" Step Ladder Rail Right	PG-4X4-102-STP-LRR	1
V 21" Ladder Step	PG-2X6-021-STP	6

### 6 Foot Step Ladder

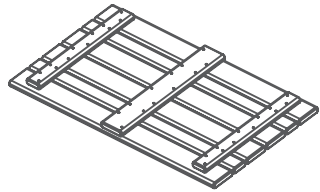
ITEM DESCRIPTION	PART NUMBER	QUANTITY
T 89 7/8" Step Ladder Rail Left	PG-4X4-090-STP-LRL	1
U 89 7/8" Step Ladder Rail Right	PG-4X4-090-STP-LRR	1
V 21" Ladder Step	PG-2X6-021-STP	7

### 5 Foot Rock Wall

ITEM	DESCRIPTION	PART NUMBER	QUANTITY
CW-R	89 7/8" Climbing Wall Rail	PG-4X4-090-CWR	2
CW-A	53 7/8" x 1 x 5 1/2 Climbing Wall Board	PG-546-054-CWB-A	3
CW-B	53 7/8" x 1 x 5 1/2 Climbing Wall Board	PG-546-054-CWB-B	4
CW-E	53 7/8" x 1 x 5 1/2 Climbing Wall Board	PG-546-054-CWB-E	1
CW-D	53 7/8" x 1 x 5 1/2 Climbing Wall Board	PG-546-054-CWB-D	4
CW-O	CLIMBING ROCK	PG-AC-0003	16

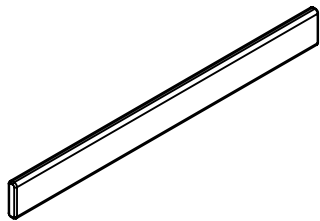
### 6 Foot Rock Wall

ITEM	DESCRIPTION	PART NUMBER	QUANTITY
CW-R	102" Climbing Wall Rail Right	PG-4X4-102-CWR	2
CW-A	53 7/8" x 1 x 5 1/2 Climbing Wall Board	PG-546-054-CWB-A	3
CW-B	53 7/8" x 1 x 5 1/2 Climbing Wall Board	PG-546-054-CWB-B	5
CW-C	53 7/8" x 1 x 5 1/2 Climbing Wall Board	PG-546-054-CWB-C	3
CW-E	53 7/8" x 1 x 5 1/2 Climbing Wall Board	PG-546-054-CWB-E	1
CW-D	53 7/8" x 1 x 5 1/2 Climbing Wall Board	PG-546-054-CWB-D	2
CW-O	CLIMBING ROCK	PG-AC-0003	16

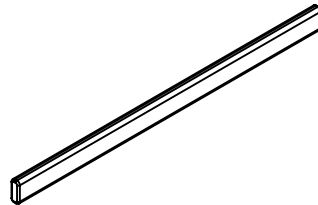


## PARTS FOR DECK:

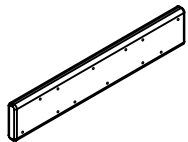
PART NUMBER	DESCRIPTION	QTY.
PG-2X6-054-DEK	53 5/8" Deck / Picnic Tbl Board	4
PG-2X4-054-DEK	53 5/8" Deck / Picnic Tbl Board	2
PG-2X6-030-BB	30" Deck Backboard	1
PG-2X4-028-BB	27 1/2" Deck Backboard	2
PG-HW-S009	#8X2 1/2 PH FLAT HD WDSCR	36



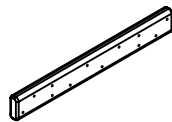
PG-2X6-054-DEK  
53 5/8" Deck / Picnic Tbl Board



PG-2X4-054-DEK  
53 5/8" Deck / Picnic Tbl Board



PG-2X6-030-BB  
30" Deck Backboard

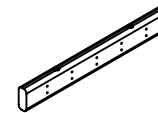


PG-2X4-028-BB  
27 1/2" Deck Backboard



## PARTS FOR SIDE PANEL:

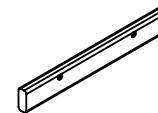
ITEM	PART NUMBER	DESCRIPTION	QTY.
W	PG-2X4-025-PBT	25" Panel Top	1
X	PG-2X4-025-PBB-A	25" Panel Bottom Drilled	1
Y	PG-2X3-030-PR	2 X 3 X 30-1/4 Panel Rung	5
Z	PG-2X4-025-PBB	25" Panel Bottom	1
FW1	PG-HW-W002	1/4" Flat Washer	2
HLS1	PG-HW-L009	1/4 X 3" Hex Lag Screw	2
FHS1	PG-HW-S009	#8x2 1/2 Ph Flat Hd Wdscr	20



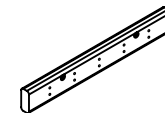
25" PANEL TOP  
PG-2X4-025-PBT



2 x 3 x 30-1/4 PANEL RUNG  
PG-2X3-030-PR



25" PANEL BOTTOM  
PG-2X4-025-PBB



25" PANEL BOTTOM DRILLED  
PG-2X4-025-PBB-A



# STEP 1: ASSEMBLE SIDE PANEL

1

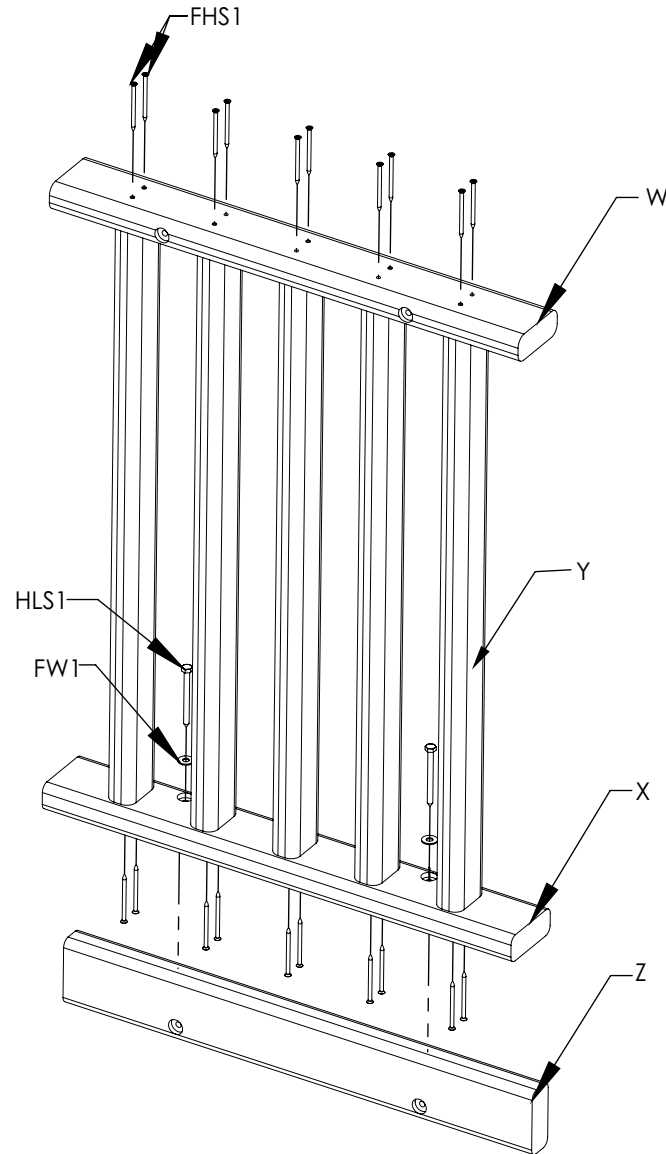
## PARTS NEEDED:

- (1) W (25" Panel Top)
- (1) X (25" Panel Bottom Drilled)
- (5) Y (2 X 3 X 30-1/4 Panel Rung)
- (1) Z (25" Panel Bottom)

## HARDWARE NEEDED:

- (2) FW1 (1/4" Flat Washer)
- (2) HLS1 (1/4 X 3" Hex Lag Screw)
- (20) FHS1 (#8x2 1/2 Ph Flat Hd Wdscr)

1. Assemble Side Panel as shown. Repeat for each Panel.



## STEP 2: ASSEMBLE PARTS A, B, C, E, & J

# 2

### PARTS NEEDED:

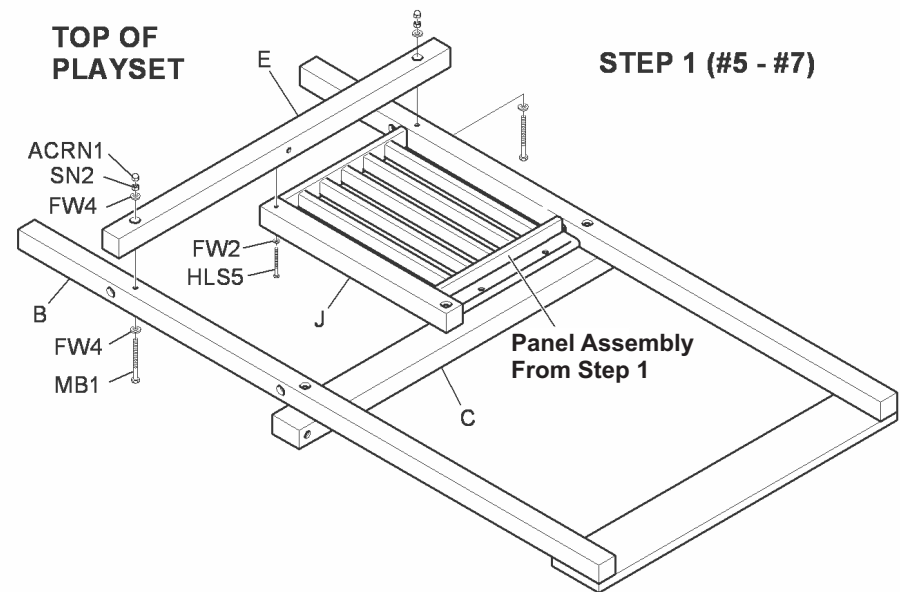
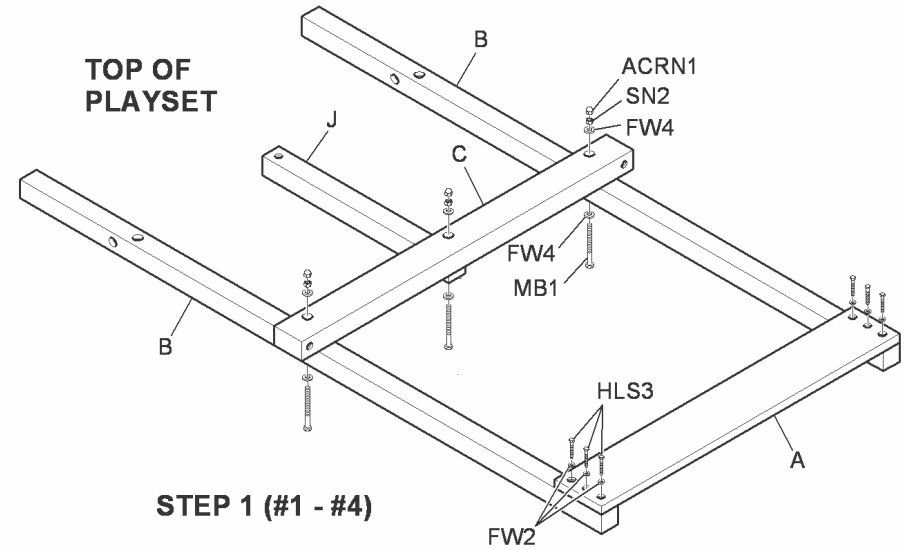
- (2) A (Sandbox Side)
- (4) B (Corner Post)
- (2) C (Deck Support)
- (2) E (Safety Rail Top Side)
- (2) J (Vertical Panel Divider)

### HARDWARE NEEDED:

- (12) HLS3 (3/8" x 2-1/2" Lag Screw)
- (14) FW2 (3/8" Standard Flat Washer)
- (10) MB1 (1/2" x 6" Machine Bolt)
- (20) FW4 (1/2" Standard Flat Washer)
- (10) SN1 (1/2" Lock Nut)
- (10) ACRN1 (1/2" Acorn Nut)
- (2) HLS5 (3/8" x 5-1/2" Lag Screw)

1. Lay parts **B** Corner Posts on flat ground and orient them with the hole closest to the end representing the top of the play set, the top single sided countersunk hole facing up, and the double sided countersunk holes facing out to either side.
2. Center part **J** 37-7/8" Vertical Panel Divider between parts **B** with the large diameter hole at the bottom, the small diameter hole at the top, and the small countersunk hole facing up.
3. Attach part **C** 67-3/8" Deck Support to parts **B** and **J** by installing the **MB1** machine bolts, **FW4** standard flat washers, **SN2** lock nuts, and **ACRN1** acorn nuts into the large diameter holes. Make sure the large countersunk holes face out and the small countersunk holes face down.
4. Position one part **A** 2" x 10" x 60-5/8" Sandbox Side flush to the bottom and sides of parts **B** and attach using **HLS3** lag screws and **FW2** standard flat washers.
5. Flip the assembly over and attach part **E** 4" x 4" x 67-3/8" Safety Rail to the top holes in the part **B** Corner Posts using **MB1** machine bolts, **FW4** standard flat washers, **SN2** lock nuts, and **ACRN1** acorn nuts. Make sure the large diameter countersunk holes are facing out and the part with the 9/16" swing beam hole is in the middle.
6. Temporarily place Side Panel from Step 1 into one of the openings to help locate the top of part **J** Vertical Panel Divider for attachment to part **E** Safety Rail Top Side.
7. Attach part **J** to part **E** using **HLS5** lag screws and **FW2** standard flat washers.
8. Repeat the previous steps to build the opposite Step 1 Assembly.

NOTE: The remaining two parts **A** 2" x 10" x 60-5/8" Sandbox Sides will be assembled in Step #2.



## STEP 3: ASSEMBLE PARTS A, F, K, P, R, & STEP 1 ASSEMBLIES

# 3

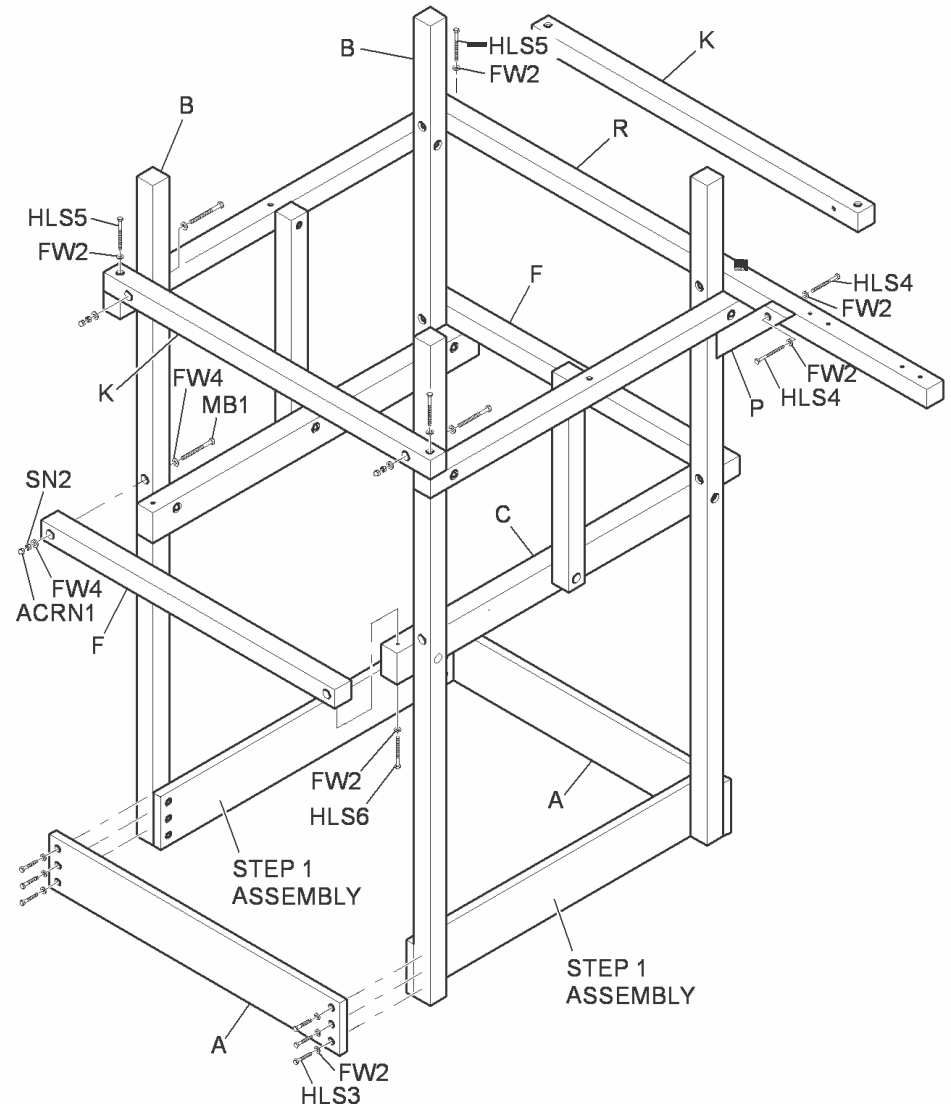
### PARTS NEEDED:

- (2) A (Sandbox Side)
- (2) F (Deck Frame)
- (1) K (Safety Rail Top)
- (1) P (26" Right 45° Brace)
- (1) R (Accessory Arm)

### HARDWARE NEEDED:

- (12) HLS3 (3/8" x 2-1/2" Lag Screw)
- (2) HLS4 (3/8" x 3" Lag Screw)
- (4) HLS5 (3/8" x 5-1/2" Lag Screw)
- (4) HLS6 (3/8" x 8" Lag Screw)
- (22) FW2 (3/8" Standard Flat Washer)
- (8) MB1 (1/2"-13 x 6" Machine Bolt)
- (16) FW4 (1/2" Standard Flat Washer)
- (8) SN1 (1/2"-13 Lock Nut)
- (8) ACRN1 (1/2"-13 Acorn Nut)

1. With a helper, stand the two Step 1 Assemblies up and connect them together by attaching parts **F** 4" x 4" x 60-5/8" Deck Frame to parts **B** Corner Posts for each side as shown. Use **MB1** machine bolts, **FW4** standard flat washers, **SN2** lock nuts, and **ACRN1** acorn nuts through the large diameter holes to assemble the parts.
  2. Attach part **C** to part **F** at each corner using **HLS6** lag screws and **FW2** standard flat washers through the small diameter holes.
- NOTE: Determine if your play set comes with a part **R** Accessory Arm Kit. If it does, only assemble one part **K** 4" x 4" x 67-3/8" Safety Rail Top in sequence #3 and then go to sequence #4. If no part **R** Accessory Arm Kit is included, skip sequence #4 and #5.
3. Attach parts **K** 67-3/8" Safety Rail Top to both sides of part **B** Corner Posts in small diameter hole locations using **HLS5** lag screws and **FW2** standard flat washers.
  4. If a part **R** 106" Accessory Arm is included in your playset, assemble it in place of one of the part **K** 67-3/8" Safety Rail Tops by inserting **MB1** machine bolts, **FW4** standard flat washers, **SN2** lock nuts, and **ACRN1** acorn nuts using the large diameter holes.
  5. Attach part **P** 4 x 4 x 26" 45° Right Brace to part **B** Corner Post and part **R** 106" Accessory Arm using **HLS4** lag screws and **FW2** standard flat washers.
  6. Attach the two remaining parts **A** 2" x 10" x 60-5/8" Sandbox Sides flush to the outside and bottom of parts **B** Corner Posts using **HLS3** lag screws and **FW2** standard flat washers.



## STEP 4: ASSEMBLE PARTS H, L, & N

4

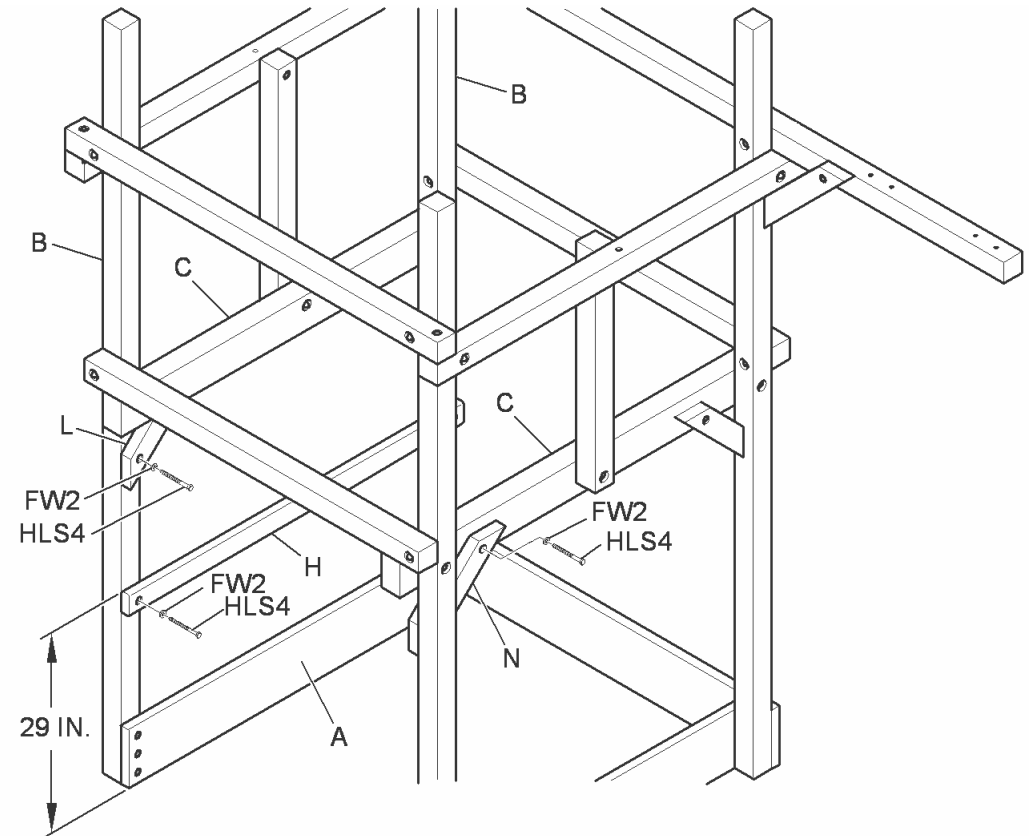
### PARTS NEEDED:

- (1) H (Horizontal Roof Support)
- (2) L (20" Left 45° Brace)
- (2) N (20" Right 45° Brace)

### HARDWARE NEEDED:

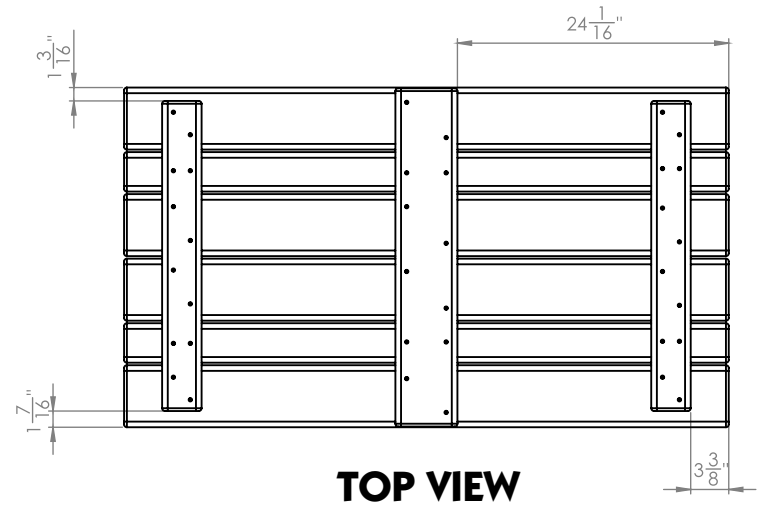
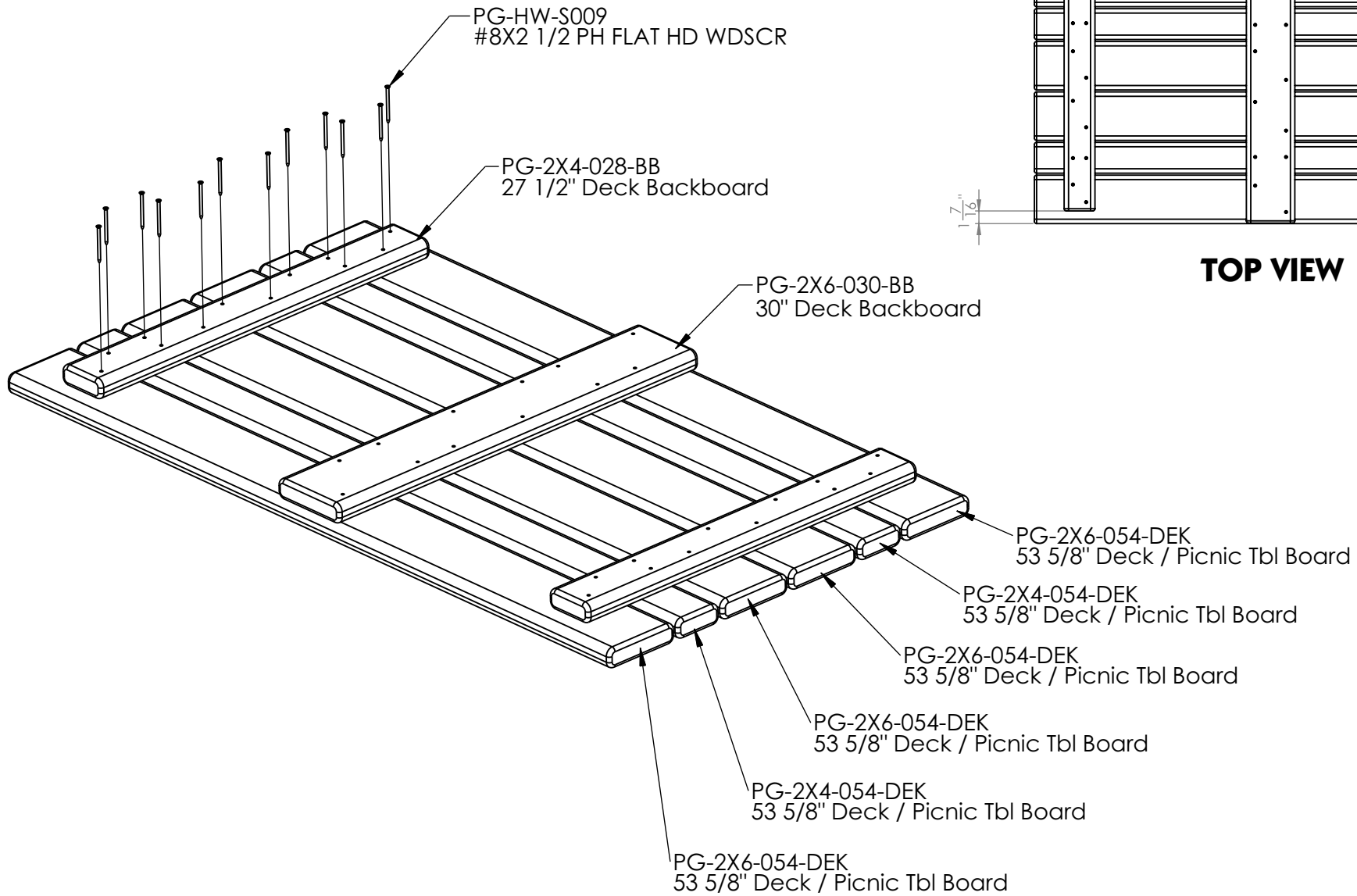
- (10) HLS4 (3/8" x 3" Lag Screw)
- (10) FW2 (3/8" Standard Flat Washer)

1. Attach part **L** 4" x 4" x 20" Left 45° Brace and part **N** 4" x 4" x 20" Right 45° Brace to part **B** Corner Posts and part **C** Deck Supports using **HLS4** lag screws and **FW2** standard flat washers.
2. Attach one part **H** 2" x 4" x 60-5/8" Horizontal Roof Support, as shown, 29" from the bottom of part **A** Sandbox Side to the top of part **H** Horizontal Roof Support using **HLS4** lag screws and **FW2** standard flat washers.
3. At this time, make sure your playset is suitably located in your yard and is level.



**NOTE:** If your Model **did not** come with assembled Decks follow these instructions. If your model has pre-assembled Decks continue to the next page.

**4A**



## STEP 5: ASSEMBLE PARTS D & G

5

### PARTS NEEDED:

- (2) D (Deck Panel)
- (2) G (Vertical Roof Support)

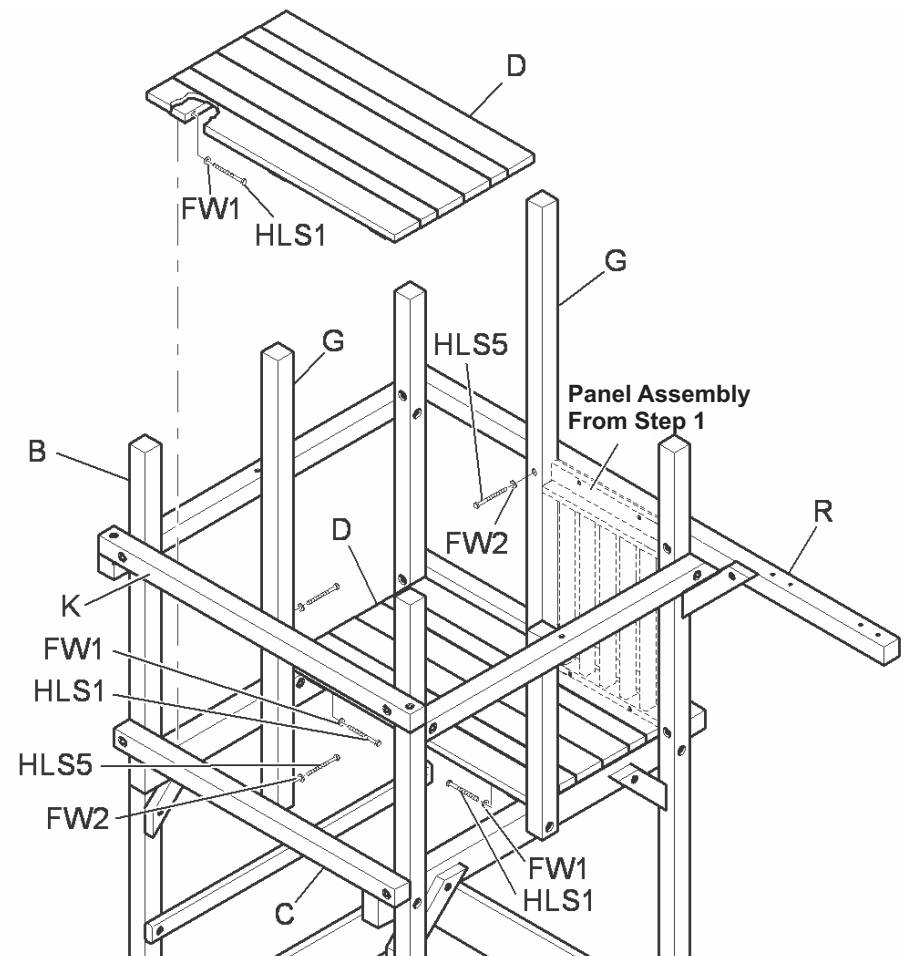
### HARDWARE NEEDED:

- (8) HLS1 (1/4" x 2-1/2" Lag Screw)
- (8) FW1 (1/4" Standard Flat Washer)
- (4) HLS5 (3/8" x 5-1/2" Lag Screw)
- (4) FW2 (3/8" Standard Flat Washer)

1. Place parts **D** Deck Panels on top of part **F** Deck Frame, as shown, and attach from underneath using **HLS1** lag screws and **FW1** standard flat washers.
2. Position one of the part **G** 85" Vertical Roof Supports on top of a part **D** Deck Panel, halfway between the part **B** Corner Posts. Make sure the countersunk holes are facing toward the inside.
3. Using a Side Panel from Step 1 as a temporary spacer (see NOTE below), attach the part **G** Vertical Roof Support at the bottom to part **C** Deck Support and at the mid-point to part **K** Safety Rail Top (or part **R** Accessory Arm if used) using **HLS5** lag screws and **FW2** standard flat washers.

NOTE: Using a carpenter's level, make sure the part **G** Vertical Roof Support is level before attaching.

4. Repeat #2 and #3 for the opposite part **G** Vertical Roof Support.



# STEP 6: ASSEMBLE 90" STEP LADDER & ROCK WALL (FOR 5' DECK ONLY)

## 6A

### PARTS NEEDED:

- (1) T 89 7/8" Step Ladder Rail Left
- (1) U 89 7/8" Step Ladder Rail Right
- (6) V 21" Ladder Step

### HARDWARE NEEDED:

- (24) FW1 (1/4" Flat Washer)
- (24) HLS2 (1/4 X 4.5" Hex Lag Screw)

## 6B

### PARTS NEEDED:

- (2) CW-R 89 7/8" Climbing Wall Rail
- (12) Climbing Wall Boards
- (16) CW-O Rock

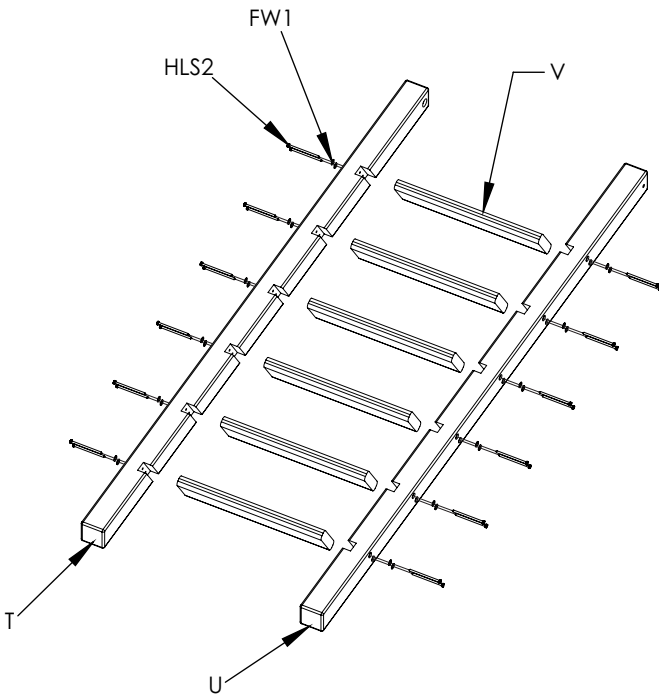
### HARDWARE NEEDED:

- (48) FHS2 (#10x2-1/2 Ph Flat Hd Wdscr)
- (16) FW1 (1/4" Flat Washer)
- (16) RHS1 (#14 X 1.5" Round Phil Head Screw)
- (16) TN1 (3/8"-16 X 1/2" T-nut)
- (16) SH1 (3/8"-16 X 1.5" Socket Head Screw)
- (16) FW3 (3/8" Narrow Flat Washer)

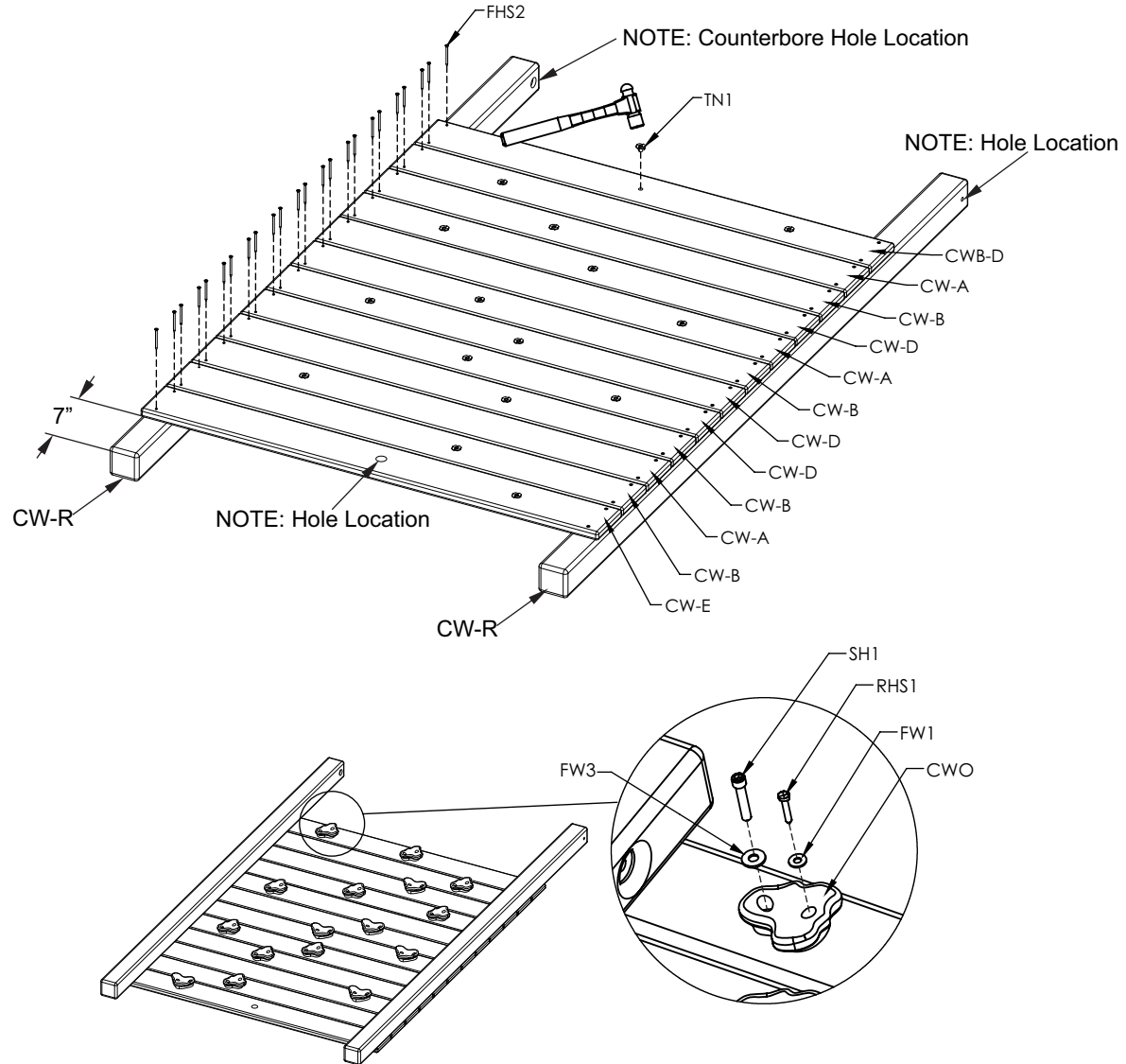


**IF YOU HAVE A 6' DECK  
GO TO THE NEXT PAGE.**

1. Assemble 90" Ladder as shown.



1. Assemble 5' Rock Wall as shown below. Note Hole locations.





# STEP 6: ASSEMBLE 102" STEP LADDER & ROCK WALL (FOR 6' DECK ONLY)

## 6A

### PARTS NEEDED:

- (1) T 102" Step Ladder Rail Left
- (1) U 102" Step Ladder Rail Right
- (7) V 21" Ladder Step

### HARDWARE NEEDED:

- (28) FW1 (1/4" Flat Washer)
- (28) HLS2 (1/4 X 4.5" Hex Lag Screw)

## 6B

### PARTS NEEDED:

- (2) CW-R 102" Climbing Wall Rail
- (14) Climbing Wall Boards
- (16) CW-O Rock

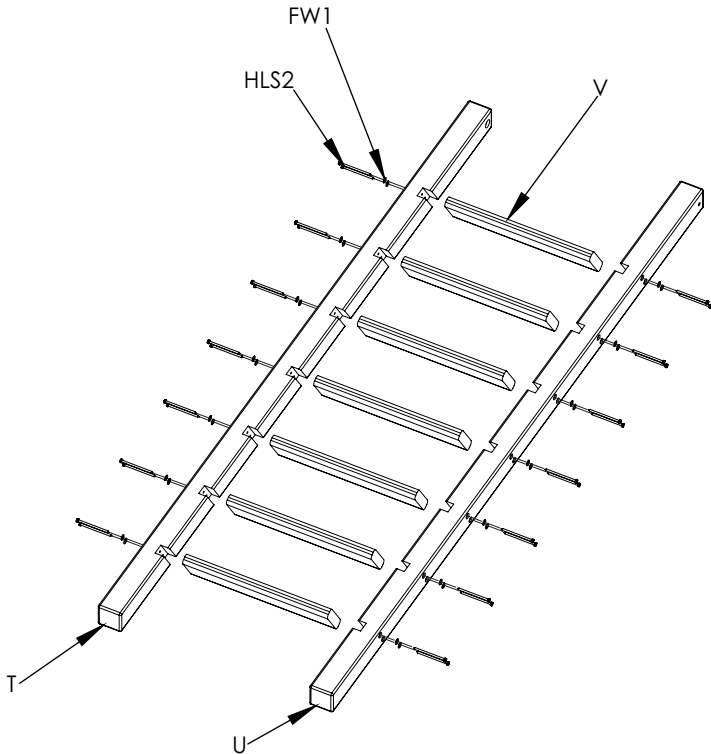
### HARDWARE NEEDED:

- (56) FHS2 (#10x2-1/2 Ph Flat Hd Wdscr)
- (16) FW1 (1/4" Flat Washer)
- (16) RHS1 (#14 X 1.5" Round Phil Head Screw)
- (16) TN1 (3/8"-16 X 1/2" T-nut)
- (16) SH1 (3/8"-16 X 1.5" Socket Head Screw)
- (16) FW3 (3/8" Narrow Flat Washer)

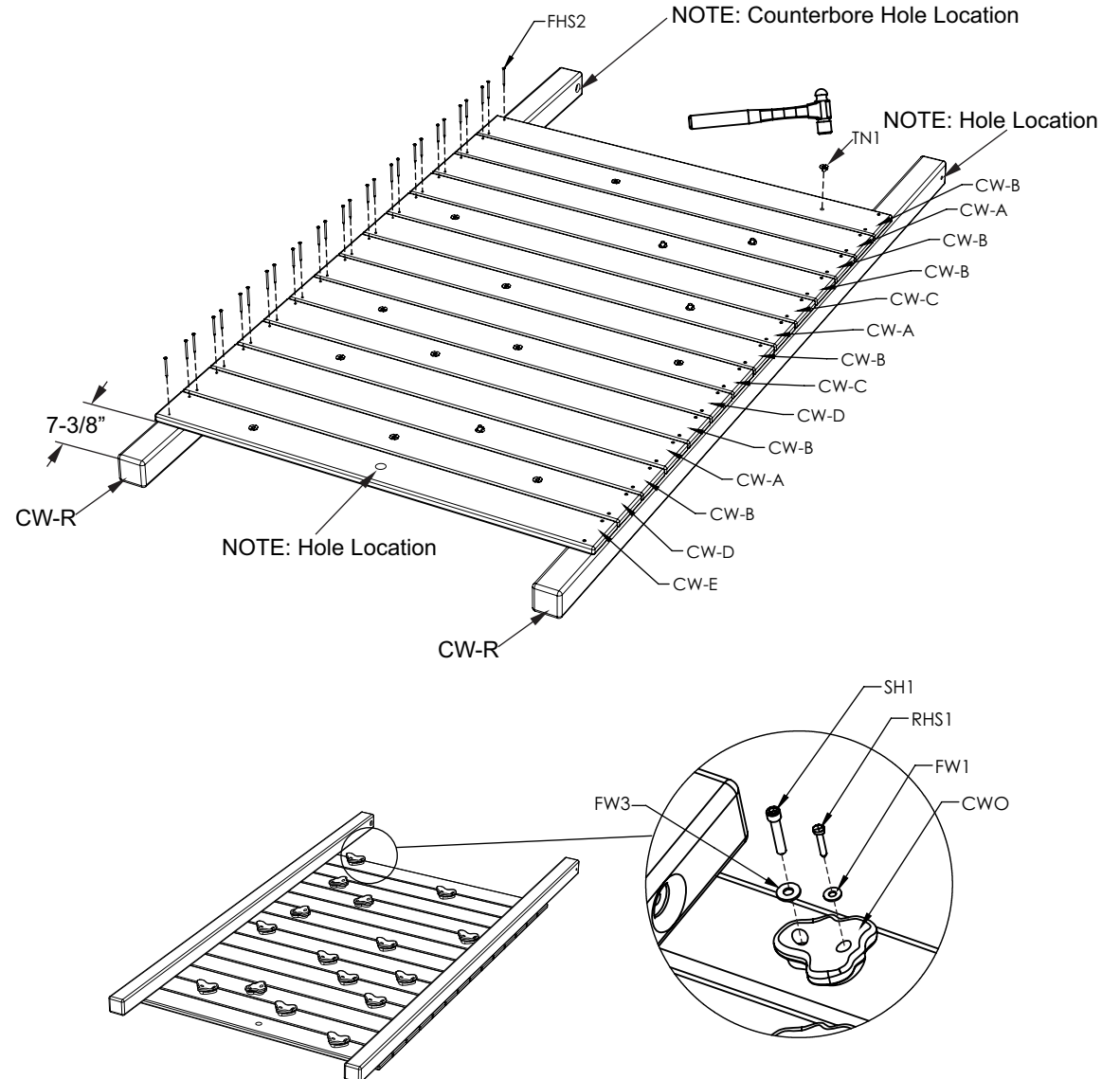


**IF YOU HAVE A 5' DECK GO TO THE PREVIOUS PAGE.**

1. Assemble 102" Ladder as shown.



1. Assemble 6' Rock Wall as shown below. Note Hole locations.





## STEP 7: INSTALL LADDER AND ROCK WALL

7

### PARTS NEEDED:

- (1) Ladder Assembly
- (1) FIL (Ladder Spacer Assembly)  
(if needed)

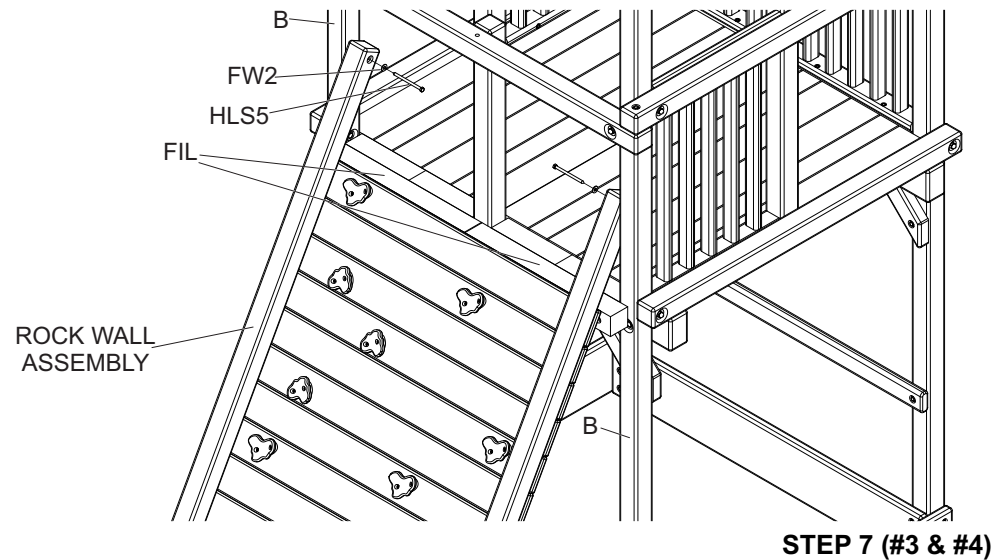
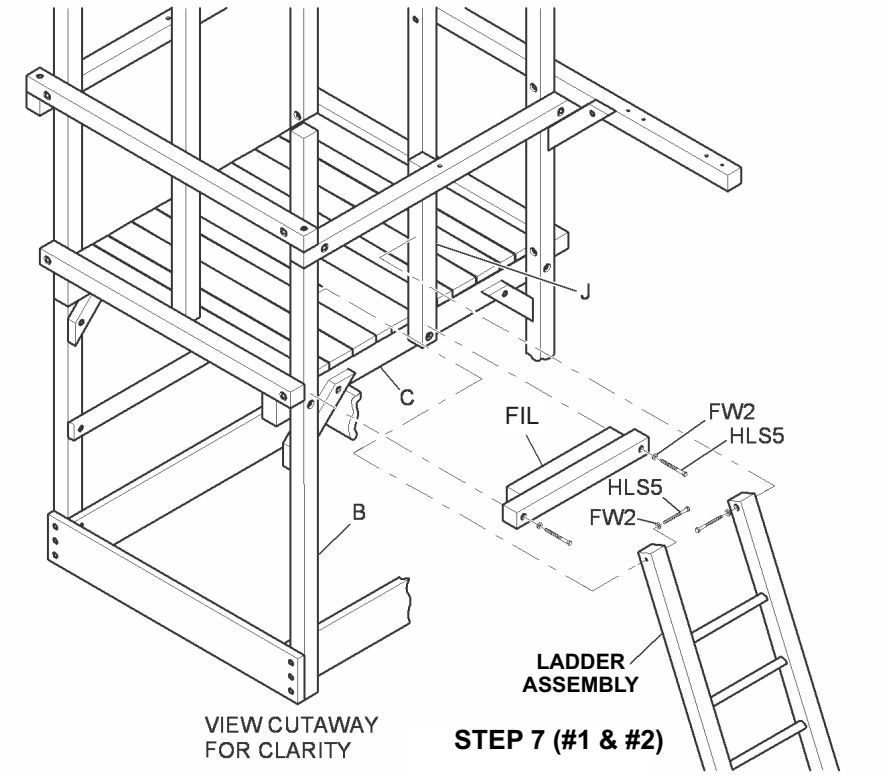
### HARDWARE NEEDED:

- (2) HLS5 (3/8" x 5-1/2" Lag Screw)
- (2) FW2 (3/8" Standard Flat Washer)

### LADDER SPACER ATTACHMENT HARDWARE

- (2) HLS5 (3/8" x 5-1/2" Lag Screw)
- (2) FW2 (3/8" Standard Flat Washer)

1. If installing Ladder Assembly on the side opposite of the Swing Beam, a part **FIL** Ladder Spacer Assembly will be needed. Attach the part **FIL** as shown using **HLS5** lag screws and **FW2** standard flat washers.
2. Attach Ladder Assembly to part **B** Corner Post and part **J** Vertical Panel Divider using **HLS5** lag screws and **FW2** standard flat washers making sure the top rung in the Ladder is even or below the Deck so as not to create a trip hazard.
3. If installing Rock Wall on the side opposite of the Swing Beam, two **FIL** Ladder Spacer Assemblies will be needed. Attach two **FIL** assemblies using **HLS5** lag screws and **FW2** standard flat washers.
4. Attach Rock Wall to both **B** Corner Posts using **HLS5** lag screws and **FW2** standard flat washers making sure the top Climbing Wall board is even or below the Deck so as not to create a trip hazard.



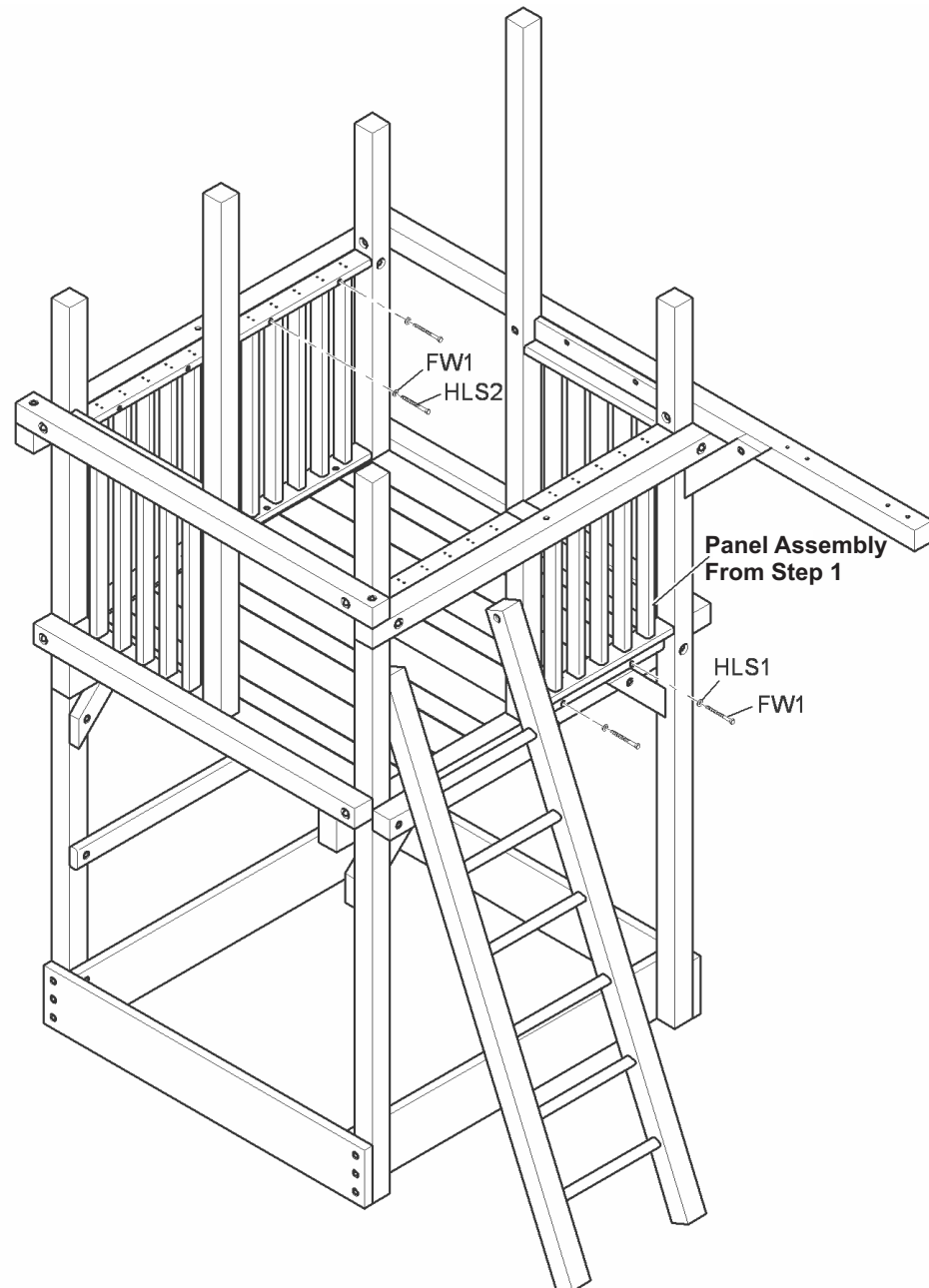
## STEP 8: INSTALL SIDE PANEL ASSEMBLY

8

**PARTS NEEDED:**  
(6) (Side Panel)

**HARDWARE NEEDED:**  
(2) HLS1 per Panel (1/4" x 2-1/2" Lag Screw)  
(2) HLS2 per Panel (1/4" x 4-1/2" Lag Screw)  
(4) FW1 per Panel (1/4" Standard Flat Washer)

1. Install the Side Panels from Step 1 in all empty openings as shown using **HLS1** lag screws and **FW1** standard flat washers at the bottom of the panel and **HLS2** lag screws and **FW1** standard flat washers at the top of the panel.



## STEP 9: ASSEMBLE PARTS H & S

9

### PARTS NEEDED:

- (3) H (Horizontal Roof Support)
- (1) S (Vinyl Roof)

### HARDWARE NEEDED:

- (6) HLS4 (3/8 x 3" Lag Screw)
- (6) FW2 (3/8 Standard Flat Washer)
- (8) Button Snaps (Enclosed in bag with Vinyl Roof)

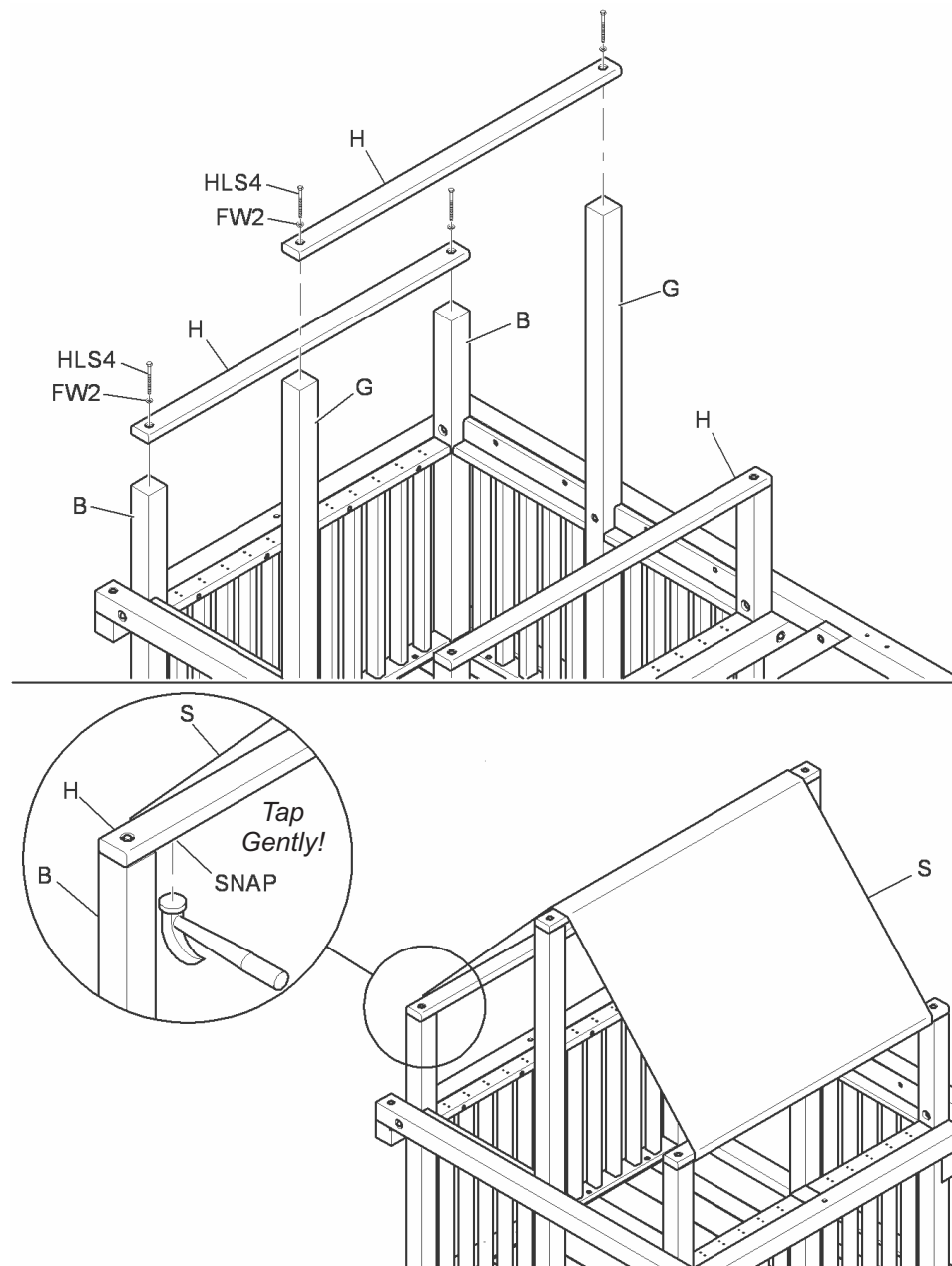
1. Attach two parts **H** Horizontal Roof Supports to the top of parts **B** Corner Posts as shown using **HLS4** lag screws and **FW2** standard flat washers.
2. Attach one part **H** Horizontal Roof Support to the tops of part **G** Vertical Roof Supports using **HLS4** lag screws and **FW2** standard flat washers.

IF INSTALLING WOOD ROOF. **STOP HERE AND GO TO WOOD ROOF INSTRUCTIONS.**

3. Center part **S** Vinyl Roof over the part **H** Horizontal Roof Support (at the peak) with the snaps facing down.
4. Wrap one end of the part **S** Vinyl Roof around to the bottom of the part **H** Horizontal Roof Support and center it on the Support.
5. Tap the snaps gently with a hammer to leave an indentation in the part **H** Horizontal Roof Support (as shown in the Roof Snap Inset).
6. Install a Roof Snap and Screw in the center of each of the indentations.

NOTE: Roof Snap and Screws are rolled up in the part **S** Vinyl Roof.

7. Snap this end of the part **S** Vinyl Roof to the inside of the part **H** Horizontal Roof Support.
8. Stretch the opposite end of the part **S** Vinyl Roof over the part **H** Horizontal Roof Support to the opposite part **H** Horizontal Roof Support and repeat #4, #5, #6 and #7.



# Consumer Information Sheet for Playground Surfacing Materials<sup>1</sup>

The U.S. Consumer Product Safety Commission (CPSC) estimates that about 100,000 playground equipment-related injuries resulting from falls to the ground surface are treated annually in the U.S. hospital emergency rooms. Injuries involving this hazard pattern tend to be among the most serious of all playground injuries, and have the potential to be fatal, particularly when the injury is to the head.

The surface under and around playground equipment can be a major factor in determining the injury-causing potential of a fall. It is self evident that a fall onto a shock absorbing surface is less likely to cause a serious injury than a fall onto a hard surface. Playground equipment should never be placed on hard surfaces such as concrete or asphalt and while grass may appear to be acceptable it may quickly turn to hard packed earth in areas of high traffic. Shredded bark mulch, wood chips, fine sand or fine gravel are considered to be acceptable shock absorbing surfaces when installed and maintained at a sufficient depth under and around playground equipment.

The following table lists the maximum height from which a child would not be expected to sustain a life-threatening head injury in a fall onto four different loose-fill surfacing materials if they are installed and

maintained at depths of 6", 9", and 12". However, it should be recognized that all injuries due to falls cannot be prevented no matter what surfacing material is used.

It is recommended that a shock absorbing material should extend a minimum of 6' in all directions from the perimeter of stationary equipment such as climbers and slides. However, because children may deliberately jump from a moving swing, the shock absorbing material should extend in the front and rear of a swing a minimum distance of 2 times the height of the pivot point measured from a point directly beneath the pivot point supporting structure.

This information is intended to assist in comparing the relative shock-absorbing properties of various materials. No particular material is recommended over another. However, each material is only effective when properly maintained. Materials should be checked periodically and replenished to maintain correct depth as determined necessary for your equipment. The choice of a material depends on the type and height of the playground equipment, the availability of the material in your area, and its cost.

## FALL HEIGHT IN FEET FROM WHICH A LIFE THREATENING HEAD INJURY WOULD NOT BE EXPECTED

TYPE OF MATERIAL	6" DEPTH	9" DEPTH	12" DEPTH
<b>Double Shredded Bark Mulch</b>	<b>6'</b>	<b>10'</b>	<b>11'</b>
<b>Wood Chips</b>	<b>6'</b>	<b>7'</b>	<b>12'</b>
<b>Fine Sand</b>	<b>5'</b>	<b>5'</b>	<b>9'</b>
<b>Fine Gravel</b>	<b>6'</b>	<b>7'</b>	<b>10'</b>

<sup>1</sup>This information has been extracted from the CPSC publications "Playground Surfacing—Technical Information Guide" and "Handbook for Public Playground Safety." Copies of these reports can be obtained by sending a postcard to the Office of Public Affairs, U.S. Consumer Product Safety Commission, Washington, D.C. 20207. Or call the toll-free hotline: 1-800-638-2772.

# ChildLife<sup>®</sup>

## Playsets

ChildLife Limited Lifetime  
& TwoYear Warranties

Subject to proper installation and normal residential use, Escalade Sports warrants, subject to the limitations stated below, to the original retail purchaser, all chain, seats, swing hangers, hardware, metal braces, ropes and accessories to be free from defects in material and workmanship for a period of two years from date of purchase. Cracks in non-functional plastic components are not considered defects in materials and workmanship if they do not affect the functionality of the playset. Merchandise covered under this limited two-year warranty will, at our option, be repaired or replaced, excluding **any freight or labor fees that may be required.**

In addition, for the lifetime of the playset, Escalade Sports warrants, to the original retail purchaser, all wooden components against structural failure due to corrosion, wood rot, or insect infestation. **Seasonal checks and surface cracks, knotholes and knots, natural characteristics of all wooden play equipment, not resulting in structural failure, are not covered under this warranty.**

Timber is a natural material which can absorb and release moisture. Although this product is designed to minimize this effect, in certain circumstances some movement or distortion is unavoidable. During dry hot weather timber may shrink and check - this is a normal process of weathering. After the first year of service it is advisable to apply a non-toxic stain / sealant safe for children's use.

Components covered under this limited lifetime warranty will be replaced free of charge excluding freight and labor fees.

**Non-residential use of the playset is prohibited and voids the warranty as the playsets are designed for residential use only.**

Escalade Sports reserves the right to examine photographs and/or physical evidence of merchandise claimed to be defective, and to recover said merchandise, prior to disposition of warranty claims. Merchandise returned to our factory for examination or recovery must be shipped freight prepaid, unless a Return Authorization Number is issued.

No warranty is offered on equipment subjected to abuse, negligence, improper installation, vandalism, acts of God, unauthorized alteration or attachment to equipment other than our own, or improper use, service or repair by customer or any third party. Escalade Sports assumes no responsibility for incidental or consequential damages which may arise from the purchase or use of our equipment. Please supervise your children's play activity and maintain your play equipment periodically.

THIS WARRANTY IS EXPRESSLY IN LIEU OF ALL OTHER WARRANTIES, EXPRESSED OR IMPLIED, INCLUDING WARRANTIES OF MERCHANTABILITY OR FITNESS FOR USE. CHIDLIFE PLAYSETS DOES NOT ASSUME, OR AUTHORIZE ANY PERSON TO ASSUME FOR US, ANY OTHER LIABILITY IN CONNECTION WITH THE SALE OF OUR PRODUCTS.

**For warranty service, contact:**

Childlife Playsets  
Escalade Sports  
P.O. Box 889  
Evansville, IN 47706  
1-800-GO-SWING

Or E-Mail us at: [playgroundcs@escaladesports.com](mailto:playgroundcs@escaladesports.com)

Revised 2014