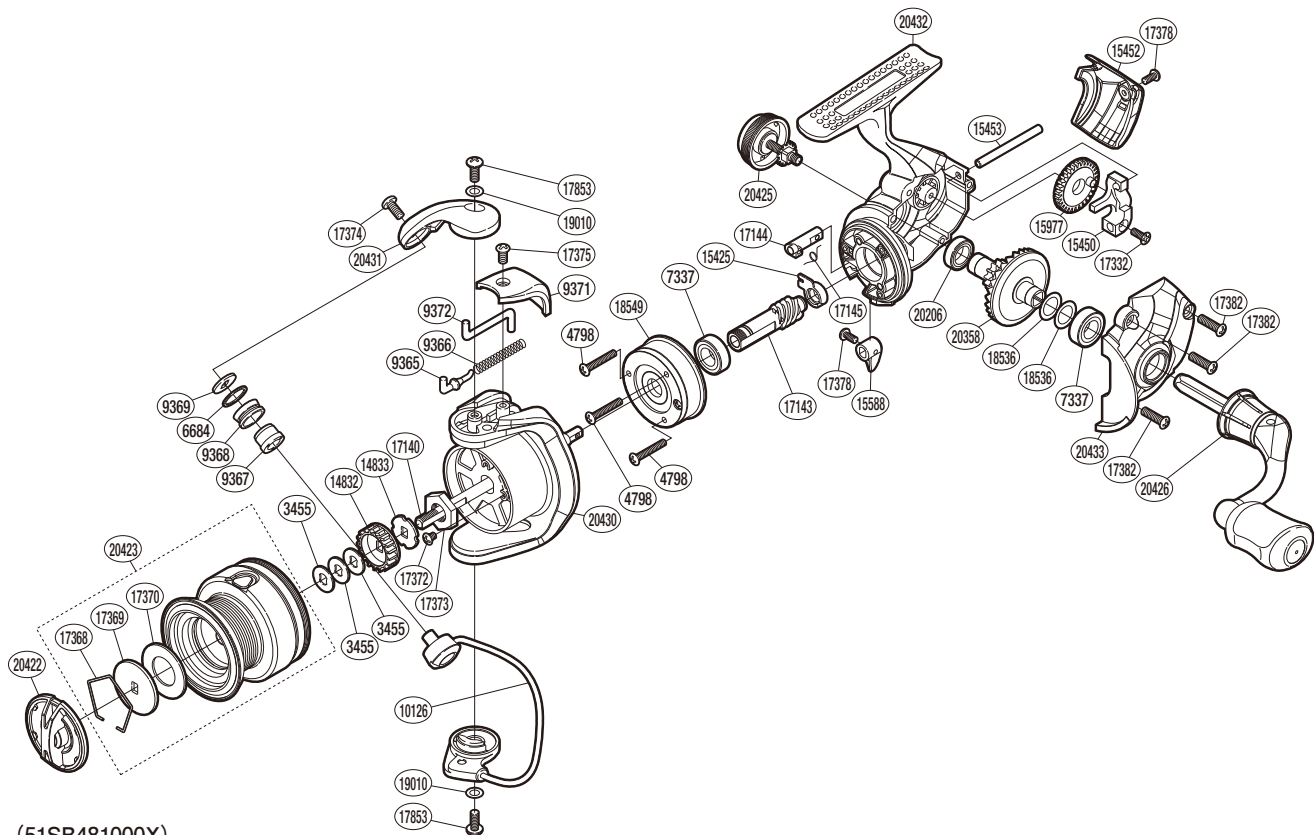


SHIMANO

SIENNA

SN1000FG



(51SB481000X)

#	Part No.	Description	#	Part No.	Description	#	Part No.	Description
3455	10BXN	Spool Washer	15452	10NKJ	Rear Protector	17378	10L1R	Screw
4798	103C6	Screw	15453	10359	Oscillating Guide	17382	10L6J	Screw
6684	10KFD	Line Roller Spacer	15588	10AP0	Anti-reverse Lever	17853	10LFH	Screw
7337	107AR	Ball Bearing	15977	10G9M	Oscillating Gear	18536	1003B	Washer
9365	105LS	Bail Spring Guide	17140	103NS	Main Shaft	18549	1003H	Roller Clutch Assembly
9366	10FVB	Bail Spring	17143	10C54	Pinion Gear	19010	100MF	Washer
9367	10PFE	Line Roller Bushing	17144	1053R	Anti-reverse Cam	20206	10SNQ	Ball Bearing
9368	10JLF	Line Roller	17145	105B4	Anti-reverse Cam Spring	20358	10E74	Drive Gear
9369	10PFP	Line Roller Washer	17332	10R1P	Screw	20422	10E2X	Drag Knob
9371	10DE8	Bail Spring Cover	17368	10MZM	Drag Washers Retainer	20423	10E2W	Spool Assembly
9372	10F1A	Bail Trip Lever	17369	10N23	Key Washer	20425	10E2M	Handle Screw Cap
10126	10QJ8	Bail Assembly	17370	10N57	Drag Washer	20426	10E2Y	Handle Assembly
14832	103MU	Spool Support A	17372	10LCE	Screw	20430	10E2A	Rotor
14833	10J04	Spool Support B	17373	10817	Rotor Nut	20431	10E2R	Bail Arm
15425	1074K	Pinion Gear Bushing	17374	10K90	Screw	20432	10E2V	Body
15450	10G64	Oscillating Slider	17375	10LFQ	Screw	20433	10E29	Side Cover

Please note that the number of adjusting washers may not be the same as shown in the exploded views.
(Adjustment will vary with each individual product.)

(230823)_002