



see what Delta can do™

86377



X00086377

Model/Modelo/Modèle
21987LF & 21988LF
Series/Series/Seria

TWO HANDLE WASHERLESS KITCHEN FAUCET

LLAVE DE FREGADEROS DOS
MANIJAS SIN ARANDELAS

ROBINET SANS RONDELLE À DEUX
MANETTES POUR ÉVIER DE CUISINE

Write purchased model number here.
Escriba aquí el número del modelo comprado.
Inscrivez le numéro de modèle ici.

▲ Specify Finish
Especifique el Acabado
Précisez le Fini

Register Online
Regístrese en línea
S'enregistrer en ligne
www.deltafaucet.com/registerme

To reference replacement parts and access additional technical documents and product info, visit www.deltafaucet.com

Para referencia sobre las piezas de repuesto y acceder a documentos técnicos adicionales e información del producto, visite www.deltafaucet.com

Pour obtenir la référence des pièces de rechange ainsi que pour avoir accès à d'autres documents techniques et renseignements sur le produit, allez à www.deltafaucet.com



www.deltafaucet.com
1-800-345-DELTA (3358)
customerservice@deltafaucet.com

Read all instructions prior to installation.

⚠ CAUTION

Failure to read these instructions prior to installation may result in personal injury, property damage, or product failure. Manufacturer assumes no responsibility for product failure due to improper installation.

Lea todas las instrucciones antes de hacer la instalación.

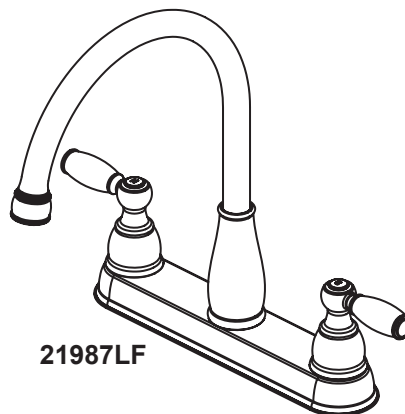
⚠ ADVERTENCIA

El no leer estas instrucciones de instalación puede resultar en lesiones personales, daños a la propiedad, o falla en el funcionamiento del producto. El fabricante no asume ninguna responsabilidad por la falla del producto debido a una instalación incorrecta.

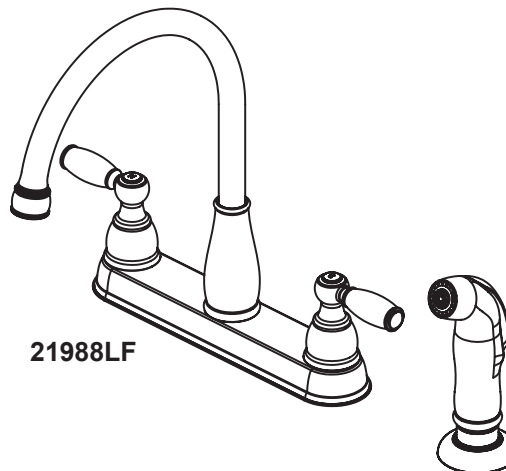
Veillez lire toutes les instructions avant l'installation.

⚠ AVERTISSEMENT

L'omission de lire les présentes instructions avant l'installation peut entraîner des blessures, des dommages matériels ou le bris du produit. Le fabricant se dégage de toute responsabilité à l'égard d'un bris du produit causé par une mauvaise installation.

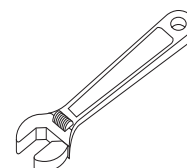
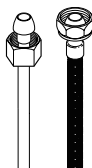


21987LF



21988LF

You may need:
Usted puede necesitar:
Articles dont vous pouvez avoir besoin :



Cleaning and Care

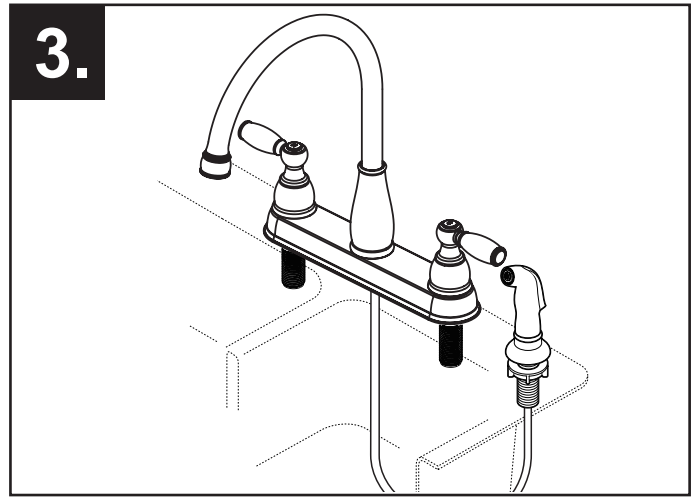
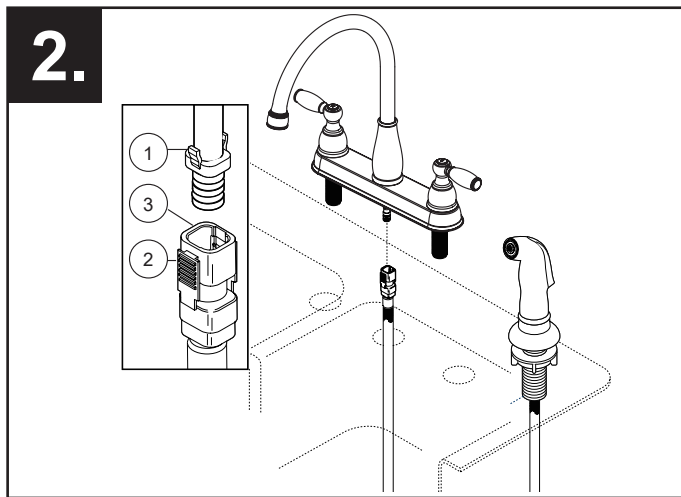
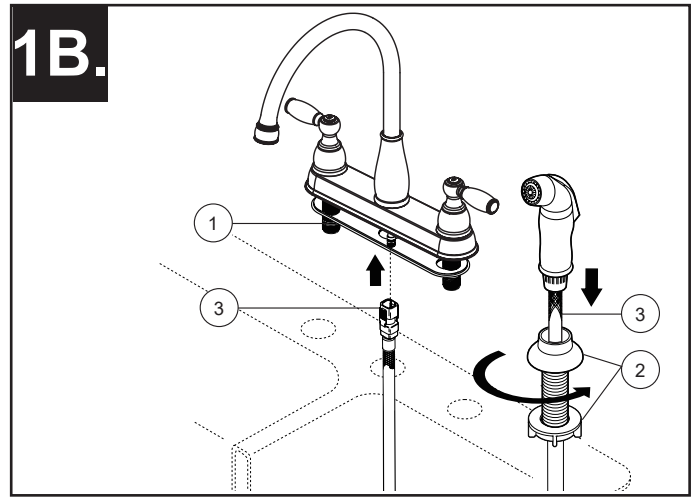
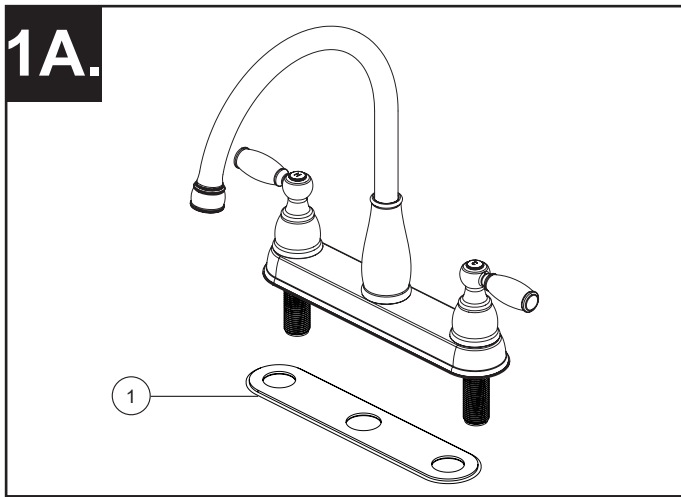
Care should be given to the cleaning of this product. Although its finish is extremely durable, it can be damaged by harsh abrasives or polish. To clean, simply wipe gently with a damp cloth and blot dry with a soft towel.

Limpieza y Cuidado de su Llave

Tenga cuidado al limpiar este producto. Aunque su acabado es sumamente durable, puede ser afectado por agentes de limpieza o para pulir abrasivos. Para limpiar su llave, simplemente frótela con un trapo húmedo y luego séquela con una toalla suave.

Instructions de nettoyage

Il faut le nettoyer avec soin. Même si son fini est extrêmement durable, il peut être abîmé par des produits fortement abrasifs ou des produits de polissage. Il faut simplement le frotter doucement avec un chiffon humide et le sécher à l'aide d'un chiffon doux.



1A. For Models Without A Spray Unit
SHUT OFF WATER SUPPLIES. Remove old faucet. Remove old faucet. Place gasket (1) on bottom of new faucet. proceed to step 3.

1B. For Models With A Spray Unit
SHUT OFF WATER SUPPLIES. Remove old faucet. Place gasket (1) on bottom of new faucet. Mount spray support (2) in far right hole in sink. Insert spray hose (3) down through the support and up through center hole of sink.

2. Align tabs (1) and tabs (2) on quick connects (3). Push quick connects firmly upward and snap onto receiving tube tab (1). Pull down moderately to ensure each connection has been made.

3. Place faucet through mounting holes in sink.
OPTION: Use silicone under the gasket if deck surface is rough or uneven.

1A. Para Modelos Sin Rociador
CIERRE LOS SUMINISTROS DE AGUA. Quite la llave vieja. Coloque el empaque (1) in la parte inferior de la llave. Continúe con el paso 3.

1B. Para Modelos Con Rociador
CIERRE LOS SUMINISTROS DE AGUA. Quite la llave vieja. Coloque el empaque (1) in la parte inferior de la llave. Instale el soporte (2) del rociador en el fregadero. inserte la manguera (3) hacia abajo pasando por la base del rociador, y luego hacia arriba a través del hueco en el centro del fregadero.

2. Alinee las lengüetas (1) con las lengüetas(2) en las conexiones rápidas (3). Firmemente presione las conexiones rápidas hacia arriba y a presión en la lengüeta del tubo receptor (1). Hale hacia abajo moderadamente para asegurar que cada conexión se ha hecho.

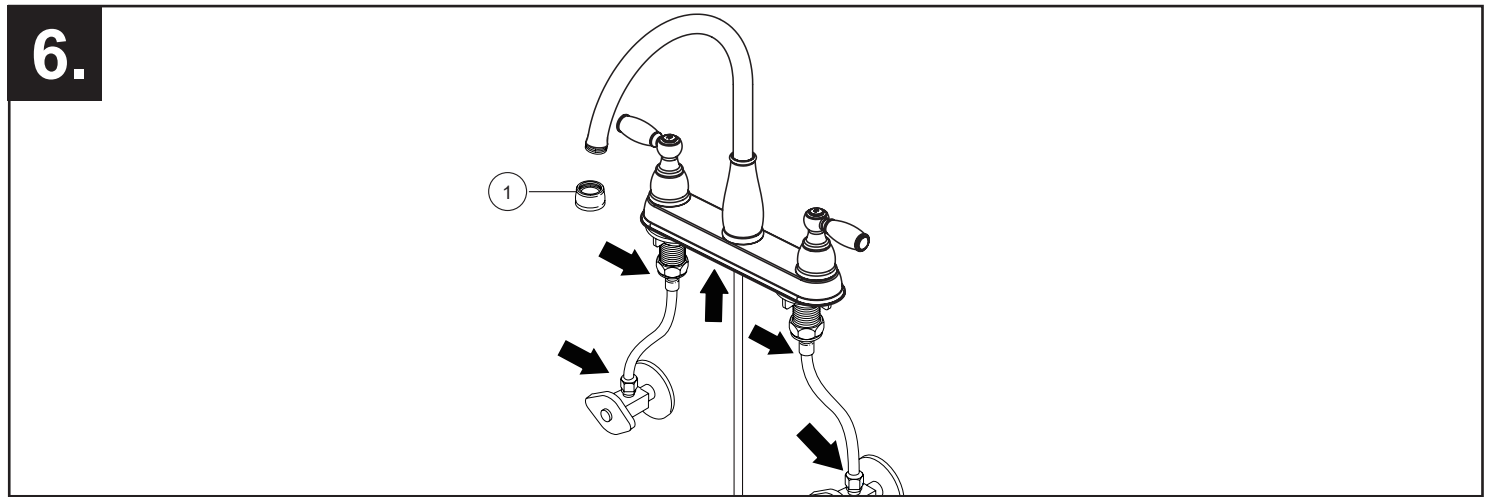
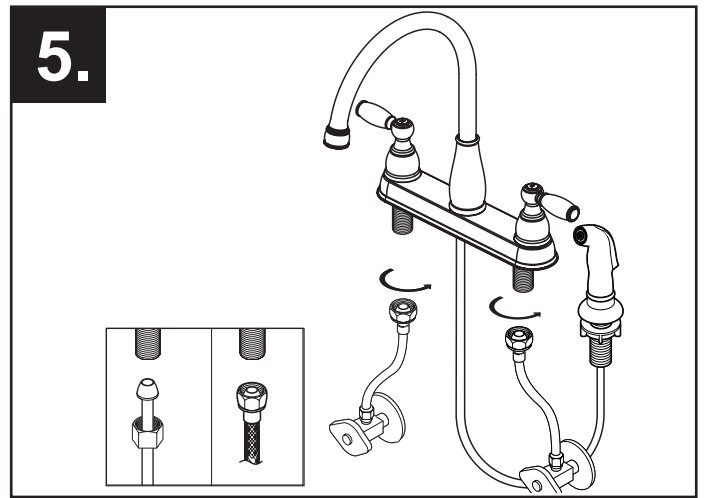
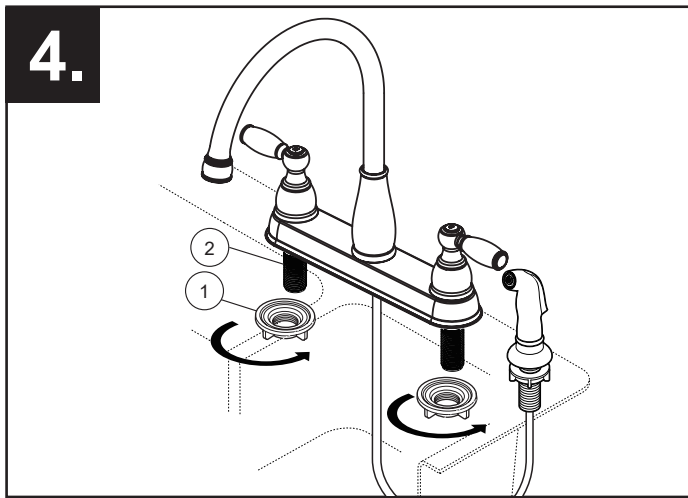
3. Coloque la llave de agua a través de los agujeros de instalación en el fregadero. **OPCIÓN: Use silicón por debajo del empaque si el borde está desnivelado.**

1A. Modèles Sans Douchette
INTERROMPEZ L'ARRIVÉE D'EAU. Déposez le vieux robinet. Placez le joint (1) contre le dessous du robinet neuf. Passez à l'étape 3.

1B. Modèles Avec Douchette
CIERRE LOS SUMINISTROS DE AGUA. Déposez le vieux robinet. Placez le joint (1) contre le dessous du robinet neuf. Montez le support de la douchette (2) dans le trou à l'extrême droite de l'évier. Par le dessus, introduisez le tuyau de la douchette (3) dans le support et l'évier. Puis faites remonter le tuyau dans le trou au centre de l'évier.

2. Alinez les pattes (1) et les pattes (2) des raccords rapides (3). Poussez les raccords rapides fermement vers le haut jusqu'à ce qu'ils s'accrochent à la patte du tube récepteur. (1). Tirez modérément sur le raccord pour en vérifier la solidité.

3. Introduisez le robinet dans les orifices de montage de l'évier.
FACULTATIF : appliquez du composé d'étanchéité à la silicone sous le joint si la surface de la plaque est rugueuse ou inégale.



4. Set faucet into place and screw locknuts (1) onto threaded shanks (2) and hand tighten. No wrench is required.

5. CONNECT TO WATER SUPPLIES. (HOOK-UPS NOT PROVIDED). Determine which type of connection you will be making. (1) Ball nose risers (3/8" O.D. copper tubing) with coupling nuts (not supplied) (A) or (2) 1/2" I.P.S. faucet connectors.

6. FLUSH SYSTEM/CHECK FOR LEAKS. Remove aerator (1). Turn faucet handles (2) all the way on. Turn on hot and cold water supplies (3) and flush water lines for one minute. **Important: This flushes away any debris that could cause damage to internal parts.** Check all connections at arrows for leaks. Replace aerator.

4. Atornille las contratuercas (1) sobre las espigas roscadas (2) y apriételas a mano.No se requiere llave de tuerca.

5. CONECTE A LOS SUMINISTROS DE AGUA. (LAS CONEXIONES NO SON PROPORCIONADAS). Determine que tipo de conexión usted va a hacer. (1) Tubos montantes de nariz redondeada (tubería de cobre de 3/8" D.E.) con tuercas de acoplamiento (no suministro) (A), o (2) conectores de llave I.P.S. de 1/2".

6. DEJE CORRER EL AGUA POR EL SISTEMA/EXAMINE SI HAY FILTRACIONES. Quite el aireador (1). Gire las manijas de la llave (2) completamente a la posición abierta. Abra los suministros (3) de agua caliente y fría y deje que el agua corra por las líneas por un minuto. **Importante: Esto limpia cualquier escombros que pudiera causar daño a las partes internas.** Examine para asegurarse que no haya filtraciones. Reemplace el aireador.

4. Ajustez le robinet en place, puis montez les écrous freinés (1) sur les tiges filetées (2) et serrez-les à la main. Vous n'avez pas besoin d'une clé.

5. RACCORDÉMENT À LA TUYAUTERIE D'ALIMENTATION (RACCORDS NON FOURNIS) Vous pouvez utiliser l'un ou l'autre des modes de branchement suivants: (1) Tubes-raccords à extrémité arrondie (tube de cuivre 3/8 po d.e.) avec écrous de raccordement (non fournis) (A) ou, (2) raccords 1/2 po IPS pour robinetterie.

6. RINCEZ L'INSTALLATION ET VÉRIFIEZ L'ÉTANCHÉITÉ. Enlevez l'aérateur (1). Tournez les poignées (2) du robinet pour ouvrir celui-ci complètement. Rétablissez l'alimentation en eau chaude et en eau froide (3), puis laissez s'écouler l'eau une minute. **Important: Il faut laisser s'écouler l'eau pour évacuer les saletés qui pourraient abîmer les éléments internes du robinet.** Vérifiez l'étanchéité. Remettez l'aérateur en place.

Care Instructions

Care should be given to the cleaning of this product. To clean:

- Wipe gently with a damp cloth.
- Blot dry with a soft towel.

Maintenance

SHUT OFF WATER SUPPLIES

When replacing a part, follow the illustrated instructions provided on the back of the Repair Part Kit.

If faucet leaks from spout:

Replace Stem Unit (1)* and Seats and Springs (2), Repair Kit RP54801

If faucet leaks from around spout bonnet:

Replace O-Rings (3), Repair Kit RP41700.

If spray attachment does not function properly:

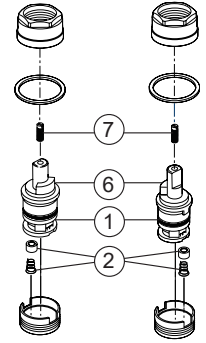
- Remove and clean Diverter Assembly (4), or
- Replace Diverter Assembly (4), Repair Kit RP41702.

If faucet exhibits very low flow:

- Remove and clean Aerator (5), or
- Clean Seats and Springs (2) of any debris

*Install stems (1) correctly for proper handle rotation.

Note: The stops (6) must point to the center of the faucet for proper handle rotation. If necessary, remove retention screws (7) from old stem units and install in new stem unit assemblies.



Instrucciones Sobre el Cuidado

Se debe tener cuidado con la limpieza de este producto. Para limpiarla:

- Frote con un paño húmedo.
- Séquela con una toalla suave.

Mantenimiento

CIERRE LOS SUMINISTROS DE AGUA

Cuando reemplace una pieza, siga las instrucciones ilustradas proporcionadas en la parte de atrás del Equipo de Reparación de Piezas.

Si la llave tiene fugas en la salida:

Reemplace los Ensamble de la Unidad del Vástago (1) * y Asientos y Resortes (2), Equipo para Reparación RP54801

Si el agua se filtra alrededor del capuchón del tubo de salida:

Reemplace el Anillos "O" (3), Equipo para Reparación RP41700.

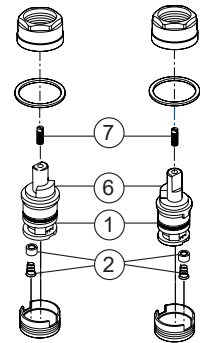
Si el ensamble del rociador no funciona bien:

- Quite y limpie Ensamble del Desviador (4), o
- Reemplace Ensamble del Desviador (4), para Reparación RP41702.

Si la llave muestra un flujo muy bajo:

- Quite y limpie el aireador (5), o
- Limpie los Asientos y Resortes (2) de cualquier escombros.

*Instale las espigas (1) correctamente para una giración correcta de la manija: **Nota:** Los topes (6) deben señalar al centro de la llave de agua para obtener una rotación apropiada de la manija. Si es necesario, quite los tornillos de retención (7) de las unidades del vástago viegas y instale dentro de los ensamble de vástago nuevos.



Instructions de nettoyage

Ce produit doit être nettoyé avec soin. Pour le nettoyer :

- Essuyez-le doucement avec un chiffon humide.
- Asséchez-le avec un chiffon doux.

Entretien

INTERROMPEZ L'ARRIVÉE D'EAU

Pour remplacer une pièce, veuillez suivre les instructions à l'endos du kit de réparation

Si le robinet fuit par le bec :

Remplacez l'obturateur (1)* ainsi que les sièges et les ressorts (2), kit de réparation RP54801

Si le robinet fuit par l'enjoliveur de bec:

Remplacez les joints toriques (3), kit de réparation RP41700.

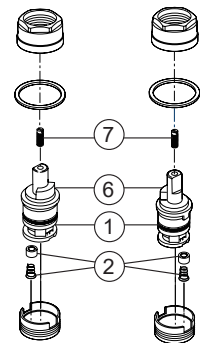
Si la douchette ne fonctionne pas correctement :

- Enlevez l'inverseur (4) et nettoyez-le.
- Au besoin, remplacez l'inverseur (4), kit de réparation RP41702.

Si le robinet a un très faible débit:

- Enlevez l'aérateur (5) et nettoyez-le.
- Nettoyez les sièges et les ressorts (2).

*Installez les obturateurs (1) correctement de sorte que les manettes pivotent normalement. **Note:** les butées (6) doivent être orientées vers le centre du robinet pour que les manettes pivotent normalement. Au besoin, retirez les vis de retenue (7) des vieux obturateurs et montez-les dans les nouveaux obturateurs. Les manettes pivotent normalement.



Limited Warranty on Delta® Faucets

Parts and Finish: All parts (other than electronic parts and batteries) and finishes of Delta® faucets purchased from authorized Delta sellers are warranted to the original consumer purchaser to be free from defects in material and workmanship for as long as the original consumer purchaser owns the home in which the faucet was first installed. For commercial purchasers, (a) the warranty period is ten (10) years for multi-family residential applications and (b) five (5) years for all other commercial applications, in each case from the date of original purchase. For purposes of this warranty, the term "multi-family residential application" refers to the purchase of the faucet from an authorized Delta seller by a purchaser who owns but does not live in the residential dwelling in which the faucet is initially installed, such as in a rented or leased single unit or multi-unit detached home (duplex or townhome), or a condominium, apartment building or community living center. The following installations are not considered multi-family residential applications, are excluded from the 10-year warranty and are subject to the 5-year warranty: industrial, institutional or other business premises, such as a dormitory, hospitality premises (hotel, motel or extended stay location), airport, educational facility, long- or short-term healthcare facility (hospital, rehabilitation center, nursing, assisted or staged-care living unit), public space or common area.

Parts and Finish for Delta® Recertified Faucets: Delta Faucet Company offers for sale online Delta® Recertified faucets. Delta® Recertified faucets only include faucets that have been certified as such by Delta Faucet Company. All parts (other than electronic parts and batteries) and finishes of these Delta® Recertified faucets are warranted to the original consumer purchaser to be free from defects in material and workmanship for ten (10) years from the date of original purchase. For commercial purchasers, the warranty period is one (1) year from the date of original purchase.

Electronic Parts: Electronic parts (other than batteries), if any, of Delta® faucets purchased from deltafaucet.com or authorized Delta sellers are warranted to the original consumer purchaser to be free from defects in material and workmanship for five (5) years from the date of original purchase or, for commercial purchasers, for one (1) year from the date of original purchase. No warranty is provided on batteries.

What We Will Do: Delta Faucet Company will repair or replace, free of charge, during the applicable warranty period (as described above), any part or finish that proves defective in material and/or workmanship under normal installation, use and service. Delta Faucet Company may, in its sole discretion, use new, refurbished or recertified parts or products for such repair or replacement. If repair or replacement is not practical, Delta Faucet Company may elect to refund the purchase price in exchange for the return of the product. **These are your exclusive remedies.**

What Is Not Covered: Because Delta Faucet Company is unable to control the quality of Delta products sold by unauthorized sellers, unless otherwise prohibited by law, this warranty does not cover Delta products purchased from unauthorized sellers.

Any labor charges incurred by the purchaser to repair, replace, install or remove this product are not covered by this warranty. Delta Faucet Company shall not be liable for any damage to the faucet resulting from reasonable wear and tear, outdoor use, misuse (including use of the product for an unintended application), freezing water, abuse, neglect or improper or incorrectly performed installation, maintenance or repair, including failure to follow the applicable care and cleaning instructions. Delta Faucet Company recommends using a professional plumber for all installation and repair of faucets. We also recommend that you use only genuine Delta® replacement parts.

What You Must Do To Obtain Warranty Service or Replacement Parts: A warranty claim may be made and replacement parts may be obtained by calling 1 800 345 DELTA (3358) or by contacting us by mail or online as follows (please include your model number and date of original purchase):

In the United States and Mexico:
Delta Faucet Company
55 E. 111th Street
Indianapolis, IN 46280
Attention: Warranty Service
www.deltafaucet.com/service-parts/contact-us

In Canada:
Masco Canada Limited, Plumbing Group
Technical Service Centre
350 South Edgeware Road
St. Thomas, Ontario, Canada N5P 4L1
Attention: Customer Service
http://www.deltafaucet.ca/customersupport/assistance.html

Proof of purchase (original sales receipt) from the original purchaser must be made available to Delta Faucet Company for all warranty claims unless the purchaser has registered the product with Delta Faucet Company or the product is a Delta® Recertified product purchased from deltafaucet.com. This warranty applies only to Delta® faucets manufactured after January 1, 2019 and installed in the United States of America, Canada and Mexico.

Limitation on Duration of Implied Warranties. Please note that some states/provinces (including Quebec) do not allow limitations on how long an implied warranty lasts, so the below limitations may not apply to you. TO THE MAXIMUM EXTENT PERMITTED BY APPLICABLE LAW, ANY IMPLIED WARRANTY, INCLUDING THE IMPLIED WARRANTIES OF MERCHANTABILITY AND OF FITNESS FOR A PARTICULAR PURPOSE, IS LIMITED TO THE STATUTORY PERIOD OR THE DURATION OF THIS WARRANTY, WHICHEVER IS SHORTER.

Limitation of Special, Incidental or Consequential Damages. Please note that some states/provinces (including Quebec) do not allow the exclusion or limitation of special, incidental or consequential damages, so the below limitations and exclusions may not apply to you. TO THE MAXIMUM EXTENT PERMITTED BY APPLICABLE LAW, THIS WARRANTY DOES NOT COVER, AND DELTA FAUCET COMPANY SHALL NOT BE LIABLE FOR, ANY SPECIAL, INCIDENTAL OR CONSEQUENTIAL DAMAGES (INCLUDING LABOR CHARGES TO REPAIR, REPLACE, INSTALL OR REMOVE THIS PRODUCT), WHETHER ARISING OUT OF BREACH OF ANY EXPRESS OR IMPLIED WARRANTY, BREACH OF CONTRACT, TORT, OR OTHERWISE. DELTA FAUCET COMPANY SHALL NOT BE LIABLE FOR ANY DAMAGE TO THE FAUCET RESULTING FROM REASONABLE WEAR AND TEAR, OUTDOOR USE, MISUSE (INCLUDING USE OF THE PRODUCT FOR AN UNINTENDED APPLICATION), FREEZING WATER, ABUSE, NEGLIGENCE OR IMPROPER OR INCORRECTLY PERFORMED INSTALLATION, MAINTENANCE OR REPAIR, INCLUDING FAILURE TO FOLLOW THE APPLICABLE INSTALLATION, CARE AND CLEANING INSTRUCTIONS. Notice to residents of the State of New Jersey: The provisions of this warranty, including its limitations, are intended to apply to the fullest extent permitted by the laws of the State of New Jersey.

Additional Rights: This warranty gives you specific legal rights, and you may also have other rights which vary from state/province to state/province.

This is Delta Faucet Company's exclusive written warranty and the warranty is not transferable. If you have any questions or concerns regarding our warranty, please contact us as provided above or view our Warranty FAQs at www.deltafaucet.com.

© 2022 Delta Faucet Company

Garantía limitada en llaves de agua - grifos Delta®

Piezas y Acabado: Todas las piezas (excepto las piezas electrónicas y las baterías) y los acabados de las llaves de agua-grifos Delta® comprados a vendedores autorizados de Delta están garantizados al comprador consumidor original de no tener defectos de material y fabricación durante el tiempo que el comprador consumidor original sea dueño de la casa en la que el grifo se instaló por primera vez. Para compradores comerciales, (a) el período de garantía es de diez (10) años para aplicaciones residenciales multifamiliares y (b) cinco (5) años para todas las demás aplicaciones comerciales, en cada caso a partir de la fecha de compra original. Para los fines de esta garantía, el término "aplicación residencial multifamiliar" se refiere a la compra del grifo a un vendedor autorizado de Delta por parte de un comprador que es propietario, pero quien no reside en la vivienda en la que se instaló inicialmente el grifo, como en una unidad individual alquilada o arrendada o en una vivienda unifamiliar de unidades múltiples (duplex o casa adosada), o en un condominio, edificio de apartamentos o centro de viviendas comunitarias. Las siguientes instalaciones no se consideran aplicaciones residenciales multifamiliares, están excluidas de la garantía de 10 años y están sujetas a la garantía de 5 años: instalaciones industriales, institucionales u otras instalaciones comerciales, como dormitorios, instalaciones de hospitalidad (hotel, motel o ubicación de estadia prolongada), aeropuerto, centro educativo, centro de atención médica a corto o largo plazo (hospital, centro de rehabilitación, asilo de ancianos, unidad de vivienda asistida o de atención por etapas), espacio público o área común.

Piezas y acabados para llaves de agua-grifos recertificadas Delta®: Delta Faucet Company ofrece a la venta en línea grifos recertificados Delta®. Los grifos recertificados de Delta® solo incluyen grifos que han sido certificados como tales por Delta Faucet Company. Todas las piezas (excepto las piezas electrónicas y las baterías) y los acabados de estas llaves de agua recertificadas de Delta® están garantizados al comprador consumidor original de no tener defectos de material y fabricación durante diez (10) años a partir de la fecha de compra original. Para compradores comerciales, el período de garantía es de un (1) año a partir de la fecha de la compra original.

Piezas electrónicas: Se garantiza al comprador consumidor original que las piezas electrónicas (aparte de las pilas), si las hubiera, de las llaves de agua Delta® compradas en deltafaucet.com o a vendedores autorizados de Delta, estarán libres de defectos de material y fabricación durante cinco (5) años a partir de la fecha de compra original o, para compradores comerciales, durante un (1) año a partir de la fecha de compra original. No se proporciona garantía en las pilas.

Lo que hacemos: Delta Faucet Company reparará o reemplazará, sin cargo, durante el período de garantía aplicable (como se describe anteriormente), cualquier pieza o acabado que resulte defectuoso en material y/o fabricación bajo condiciones normales de instalación, uso y servicio. Delta Faucet Company puede, a su exclusivo criterio, usar piezas o productos nuevos, reacondicionados o recertificados para dicha reparación o reemplazo. Si la reparación o el reemplazo no son prácticos, Delta Faucet Company puede optar por reembolsar el precio de compra a cambio de la devolución del producto. **Estas son sus rectificaciones exclusivas.**

Lo que esta garantía no cubre: Debido a que Delta Faucet Company no puede controlar la calidad de los productos Delta vendidos por vendedores no autorizados, a menos que la ley lo prohíba, esta garantía no cubre los productos Delta comprados a vendedores no autorizados.

La garantía no cubre cualquier costo de labor incurrido por el comprador para reparar, reemplazar, instalar o desmontar este producto. Delta Faucet Company no será responsable por cualquier daño al grifo que resulte del desgaste razonable, uso en el exterior, uso indebido, (incluyendo el uso del producto para una aplicación indebida), agua helada, abuso, negligencia o la instalación, el mantenimiento o la reparación, incluido el incumplimiento de las instrucciones de cuidado y limpieza correspondientes. Delta Faucet Company recomienda los servicios de un plomero profesional para toda instalación y reparación de los grifos. También recomendamos que use solo piezas de repuestos genuinas Delta®.

Lo que usted debe hacer para obtener servicio de garantía o piezas de repuesto: Se puede hacer un reclamo para la garantía y se

pueden obtener piezas de repuesto llamando al 1-877-345-DELTA (3358) o contactándonos por correo postal o electrónico como indicado (favor incluir el número del modelo y la fecha de compra):

En los Estados Unidos y México:
Delta Faucet Company
55 E. 111th Street
Indianapolis, IN 46280
Atención: Warranty Service
www.deltafaucet.com/service-parts/contact-us

En Canadá:
Masco Canada Limited, Plumbing Group
Technical Service Centre
350 South Edgeware Road
St. Thomas, Ontario, Canada N5P 4L1
Atención: Customer Service
http://www.deltafaucet.ca/customersupport/assistance.html

El comprobante de compra (recibo de venta original) del comprador original debe ser disponible a Delta Faucet Company para todos los reclamos de garantía a menos que el comprador haya registrado el producto en Delta Faucet Company o es un producto recertificado de Delta® comprado de deltafaucet.com. Esta garantía aplica solo a las llaves de agua/grifos Delta® fabricados después de enero 1, 2019 e instalados en los Estados Unidos de América, Canadá y México.

La limitación de la duración de las garantías implícitas. Favor de tomar nota que algunos estados/provincias (incluyendo Quebec) no permiten las limitaciones de la duración de una garantía implícita por lo que las limitaciones a continuación puedan no aplicarle. HASTA EL ALCANCE MÁXIMO EN QUE LA LEY LO PERMITA, CUALQUIER GARANTÍA IMPLÍCITA, INCLUIDAS LAS GARANTÍAS IMPLÍCITAS DE COMERCIABILIDAD Y DE IDONEIDAD PARA UN PROPÓSITO PARTICULAR, ESTÁ LIMITADA AL PERÍODO LEGAL O A LA DURACIÓN DE ESTA GARANTÍA, LO QUE SEA MÁS CORTO.

Limitación de daños especiales, incidentales o consiguientes. Tenga en cuenta que algunos estados/provincias (incluyendo Quebec) no permiten la exclusión o limitación de daños especiales, incidentales o consiguientes, por lo que las limitaciones y exclusiones a continuación puedan no aplicarle. HASTA EL ALCANCE MÁXIMO PERMITIDO POR LA LEY APLICABLE, ESTA GARANTÍA NO CUBRE, Y DELTA FAUCET COMPANY NO SERÁ RESPONSABLE DE DAÑOS ESPECIALES, INCIDENTALES O CONSECUENTES (INCLUIDOS LOS COSTOS LABORALES PARA REPARAR, REEMPLAZAR, INSTALAR O RETIRAR ESTE PRODUCTO) SEAN EL RESULTADO DE INCUMPLIMIENTO DE CUALQUIER GARANTÍA EXPRESA O IMPLÍCITA, INCUMPLIMIENTO DE CONTRATO, AGRAVIO O DE OTRA MANERA. DELTA FAUCET COMPANY NO SE RESPONSABILIZARÁ POR CUALQUIER DAÑO AL PRODUCTO QUE RESULTE DEL DESGASTE RAZONABLE, USO EN EL EXTERIOR DE LA PROPIEDAD, USO INDEBIDO (INCLUYENDO EL USO DEL PRODUCTO PARA UNA APLICACIÓN NO INTENCIONADA), AGUA HELADA, ABUSO, NEGLIGENCIA O INSTALACIÓN, MANTENIMIENTO O REPARACIÓN INADECUADA O INCORRECTA, INCLUYENDO EL NO SEGUIR LAS INSTRUCCIONES CORRESPONDIENTES PARA LA INSTALACIÓN, EL CUIDADO, Y LA LIMPIEZA. Aviso para los residentes del estado de New Jersey: Las disposiciones de este documento tienen la intención de aplicarse al alcance máximo permitido por las leyes del estado de New Jersey.

Derechos adicionales: Esta garantía le otorga derechos legales específicos, y también puede tener otros derechos que varían de estado/provincia a estado/provincia.

Esta es la garantía escrita exclusiva de Delta Faucet Company y la garantía no es transferible.

Si tiene preguntas o dudas con respecto a nuestra garantía, por favor comuníquese con nosotros como se indica arriba o visite nuestro sitio web www.deltafaucet.com preguntas y respuestas frecuentes FAQs

© 2022 Empresa de grifos Delta

Garantie limitée des robinets Delta®

Pièces et finis: Tous les pièces (autres que les composants électroniques et les piles) et les finis de ce robinet Delta® achetés chez des vendeurs Delta autorisés sont protégés contre les défauts de matériau et les vices de fabrication par une garantie qui est consentie au premier acheteur au détail et qui demeure valide tant que celui-ci demeure propriétaire de la maison dans laquelle le robinet a été installé. En ce qui concerne les acheteurs commerciaux, la période de garantie est a) de dix (10) ans pour les applications résidentielles multifamiliales et b) de cinq (5) ans pour toutes les autres applications commerciales, à compter de la date d'achat dans chaque cas. Dans le libellé de la présente garantie, on entend par « application résidentielle multifamiliale », un robinet acheté chez un vendeur Delta autorisé par un acheteur qui est propriétaire d'un logement résidentiel sans l'habiter et installé pour la première fois dans cet immeuble. Il peut s'agir d'un immeuble individuel comportant un ou plus d'un logement loué (duplex ou groupe de maisons en rangée), d'un condominium, d'un immeuble d'habitation ou d'un centre d'intégration communautaire. Les applications décrites ci-après ne sont pas considérées comme des applications multifamiliales et elles sont couvertes par la garantie de 5 ans plutôt que par la garantie de 10 ans. Ce sont les suivantes : robinets installés dans un bâtiment industriel, un bâtiment institutionnel et un autre immeuble commercial, notamment une résidence d'étudiants, un lieu d'hébergement (hôtel, motel ou lieu de séjour prolongé), un aéroport, un établissement d'enseignement, un établissement de soins de santé de courte ou de longue durée (hôpital, centre de réadaptation, maison de soins infirmiers), un endroit public ou un lieu commun.

Pièces et finis des robinets recertifiés Delta®: Delta Faucet Company offre en vente en ligne des robinets recertifiés Delta®. Les robinets recertifiés Delta® comprennent uniquement les robinets qui ont été certifiés à ce titre par Delta Faucet Company. Tous les pièces (autres que les pièces électroniques et les piles) et les finis de ces robinets Delta® recertifiés sont protégés contre les défauts de matériau et les vices de fabrication par une garantie qui est consentie au premier acheteur au détail et qui est d'une durée de dix (10) ans à compter de la date d'achat initiale. En ce qui concerne les acheteurs commerciaux, la période de garantie est d'un (1) an à compter de la date d'achat initiale.

Composants électroniques: Les composants électroniques (autres que les piles) de ce robinet Delta® qui ont été achetés auprès de deltafaucet.com ou de vendeurs Delta autorisés sont protégés contre les défauts de matériau et les vices de fabrication par une garantie consentie au premier acheteur au détail qui est de cinq (5) ans à compter de la date d'achat initiale. En ce qui concerne les acheteurs commerciaux, la période de garantie est d'un (1) an à compter de la date d'achat initiale. Les piles ne sont pas couvertes par la garantie.

Ce que nous ferons: Delta Faucet Company réparera ou remplacera gratuitement, pendant la période de garantie applicable (décrite ci-dessus), toute pièce ou tout fini qui présentera une déficience de matériau et/ou un vice de fabrication pour autant que le produit ait été installé, utilisé et entretenu normalement. Delta Faucet Company peut, à sa seule discrétion, utiliser des produits neufs, remis à neuf ou recertifiés ou des pièces neuves, remises à neuf ou recertifiées pour effectuer la réparation ou le remplacement. Si l'installation n'est pas de qualité ou de remplacer le produit, Delta Faucet Company pourra rembourser le prix d'achat en échange du produit retourné. **Il s'agit de vos seuls recours.**

Ce qui n'est pas couvert: Étant donné que Delta Faucet Company n'est pas en mesure de contrôler la qualité des produits vendus par des vendeurs non autorisés, la présente garantie ne s'applique pas aux produits Delta vendus par des vendeurs non autorisés, à moins que cette restriction ne soit interdite par la loi.

La présente garantie ne couvre pas les frais de main-d'œuvre encourus par l'acheteur pour la réparation, le remplacement, l'installation ou la dépose du robinet. Delta Faucet Company se dégage de toute responsabilité à l'égard de toute détérioration du robinet résultant d'une usage raisonnable et des dommages causés par une utilisation à l'extérieur, un mauvais usage (y compris l'utilisation du produit à des fins autres que celles auxquelles il est destiné), le gel de l'eau, un usage abusif, la négligence ou l'utilisation d'une méthode d'installation, de maintenance ou de réparation incorrecte ou inadéquate, y compris les dommages résultant du non-respect des instructions de nettoyage et d'entretien applicables. Delta Faucet Company vous recommande de confier tous les travaux d'installation et de réparation à un plombier professionnel. Nous vous recommandons également d'utiliser uniquement des pièces de rechange Delta® authentiques.

Ce que vous pouvez faire pour vous prévaloir de la garantie ou obtenir des pièces de rechange: Vous pouvez présenter une réclamation en vertu de la garantie et obtenir des pièces de rechange en appelant au 1-800-345-DELTA (3358) ou en communiquant avec nous à l'une des adresses postales ou des adresses de courriel indiquées ci-dessous (n'oubliez pas d'indiquer le numéro de modèle et la date d'achat).

Aux États-Unis et au Mexique
Delta Faucet Company
55 E. 111th Street
Indianapolis, IN 46280
Attention: Warranty Service
www.deltafaucet.com/service-parts/contact-us

Au Canada:
Masco Canada Limited, Groupe plomberie
Centre de services techniques
350, chemin South Edgeware
St. Thomas (Ontario) Canada N5P 4L1
À l'attention du Service à la clientèle
http://www.deltafaucet.ca/customersupport/assistance.html

La preuve d'achat (original du reçu) du premier acheteur doit être présentée à Delta Faucet Company pour toutes les demandes en vertu de la garantie, sauf si le produit a été enregistré auprès de Delta Faucet Company ou si le produit est un produit recertifié Delta® acheté auprès de deltafaucet.com. La présente garantie s'applique uniquement aux robinets Delta® fabriqués après le 1er janvier 2019 et installés aux États-Unis d'Amérique, au Canada et au Mexique.

Limitation de la durée des garanties implicites. Veuillez noter que dans les États ou les provinces (y compris le Québec) où il est interdit de limiter la durée d'une garantie implicite, les limites mentionnées ci-dessous peuvent ne pas s'appliquer. DANS LA MESURE DE CE QUI EST PERMIS PAR LA LOI APPLICABLE, TOUTES LES GARANTIES IMPLIQUES, Y COMPRIS LES GARANTIES IMPLIQUES DE QUALITÉ MARCHANDE ET D'ADÉQUATION À UN USAGE PARTICULIER, SE LIMITENT À LA PÉRIODE FIXÉE PAR LA LOI OU À LA DURÉE DE LA PRÉSENTE GARANTIE, LA PLUS COURTE DES DEUX PÉRIODES S'APPLIQUANT.

Limitation des dommages particuliers, consécutifs ou indirects. Veuillez noter que dans les États ou les provinces (y compris le Québec) où il est interdit d'exclure ou de limiter les dommages particuliers, consécutifs ou indirects, les exclusions et les limites mentionnées ci-dessous peuvent ne pas s'appliquer. DANS LA MESURE DE CE QUI EST PERMIS PAR LA LOI APPLICABLE, DELTA FAUCET COMPANY SE DÉGAGE DE TOUTE RESPONSABILITÉ À L'ÉGARD DES DOMMAGES PARTICULIERS, CONSÉCUTIFS ET INDIRECTS (Y COMPRIS LES FRAIS DE MAIN-D'ŒUVRE POUR LA RÉPARATION, LE REMPLACEMENT, L'INSTALLATION OU LA DÉPOSE DU PRODUIT), PEU IMPORTÉ QU'ILS DÉCOULENT D'UNE RUPTURE D'UNE GARANTIE IMPLICITE OU EXPLICITE, D'UNE RUPTURE DE CONTRAT, D'UN DÉLIT CIVIL OU D'UNE AUTRE CAUSE. DELTA FAUCET COMPANY SE DÉGAGE DE TOUTE RESPONSABILITÉ À L'ÉGARD DE TOUTE DÉTÉRIORATION DU ROBINET RÉSULTANT D'UNE USURE RAISONNABLE ET DES DOMMAGES CAUSÉS PAR UNE UTILISATION À L'EXTÉRIEUR, UN MAUVAIS USAGE (Y COMPRIS L'UTILISATION DU PRODUIT À DES FINS AUTRES QUE CELLES AUXQUELLES IL EST DESTINÉ), LE GEL DE L'EAU, UN USAGE ABUSIF, LA NÉGLIGENCE OU L'UTILISATION D'UNE MÉTHODE D'INSTALLATION, DE MAINTENANCE OU DE RÉPARATION INCORRECTE OU INADÉQUATE, Y COMPRIS LES DOMMAGES RÉSULTANT DU NON-RESPECT DES INSTRUCTIONS D'INSTALLATION, D'ENTRETIEN ET DE NETTOYAGE APPLICABLES, ET CES DOMMAGES NE SONT PAS COUVERTS PAR LA GARANTIE. Avis à l'intention des résidents de l'État du New Jersey : Les dispositions de la présente garantie, y compris ses limitations, s'appliquent dans toute la mesure permise par les lois de l'État du New Jersey.

Droits supplémentaires: La présente garantie vous procure des droits précis reconnus par la loi. Vous pouvez avoir d'autres droits qui varient selon l'état ou la province.

La présente garantie écrite est la seule garantie offerte par Delta Faucet Company et elle n'est pas transférable. Si vous avez des questions ou des préoccupations concernant notre garantie, veuillez communiquer avec nous de la manière indiquée ci-dessus ou consulter notre FAQ sur la garantie à www.deltafaucet.com.

© 2022 Entreprise de robinetterie Delta