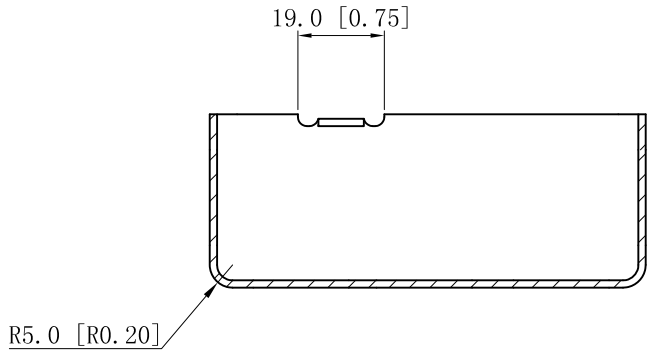
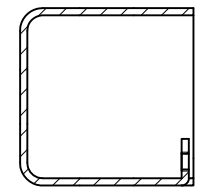
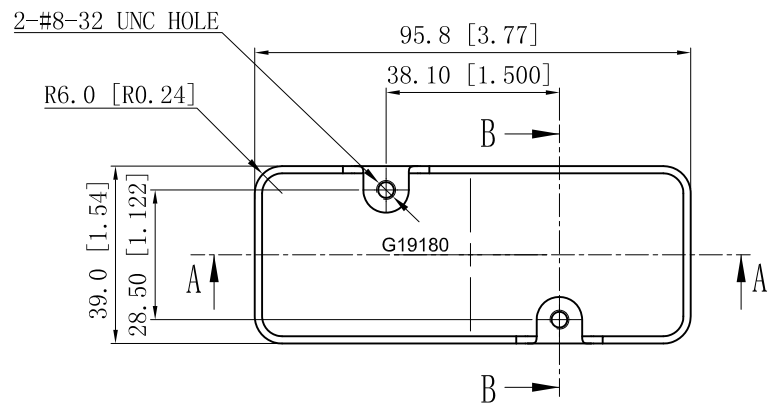
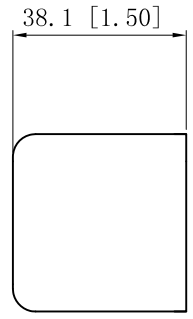
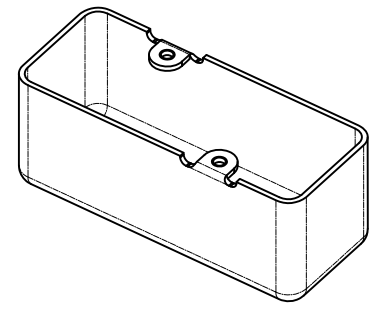


SIDES	BOTTOM
Material: Steel-0.0625"-G60 Galvanized	



CUTAWAY VIEW A-A



CUTAWAY VIEW B-B

This data sheet is for reference only .GARVIN INDUSTRIES reserves the right to make changes to the design without prior notice.

DESCRIPTION
TRADE REFERENCE TERMS

STANDARD PACKING
50 PCS

<b>GARVIN INDUSTRIES</b>		
TITLE MINI HANDY BOXES & DEVICE COVERS		
SIZE A4	DWG NO. G19180-BLNK	REV
DATA SHEET		