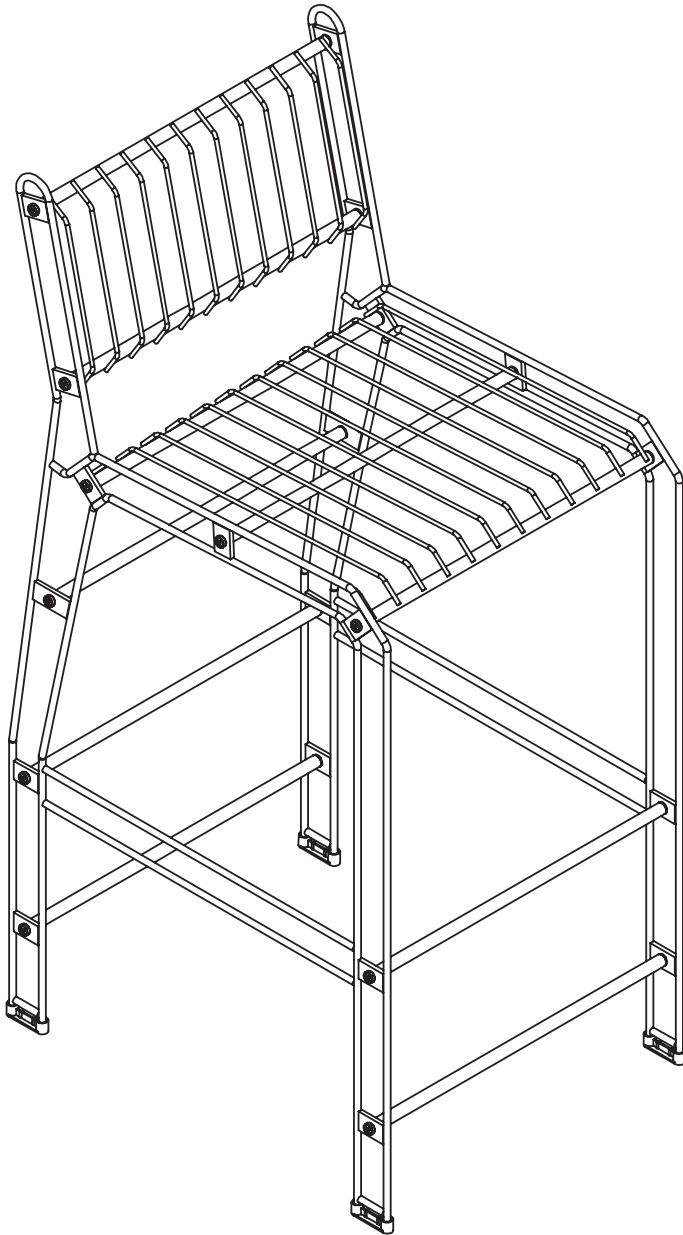
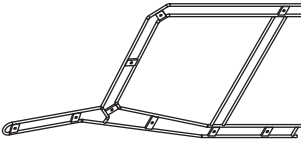







# STEEL WIRE BAR-HEIGHT CHAIR MTR-461

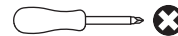
Carefully review assembly and care instructions before using this product. Save this document for future reference.  
**Assemble components on a soft, clean surface to avoid scratching or damaging the finish.**



Inspect packaging to ensure all parts are accounted for before disposing of packing materials.

No.	COMPONENTS	QTY.
A	 Side Frame (L/R)	2
B	 Seat	1
C	 Backrest	1
D	 Stretcher	5
1	 M6x25mm Screw	20
2	 Plastic Foot	4

### TOOLS REQUIRED (not included)



Phillips Screwdriver

### ⚠ WARNING ⚠

**CHOKING HAZARD** — This item contains small parts that can be swallowed. Keep children and pets away during assembly.

### ⓘ HELPFUL HINT

Sunnydaze Decor advises reading this manual fully, and assembling the item soon after purchase. Check that all parts are accounted for and familiarize yourself with the assembly before beginning.

Save this manual for future reference.

# ASSEMBLY

## STEP 1

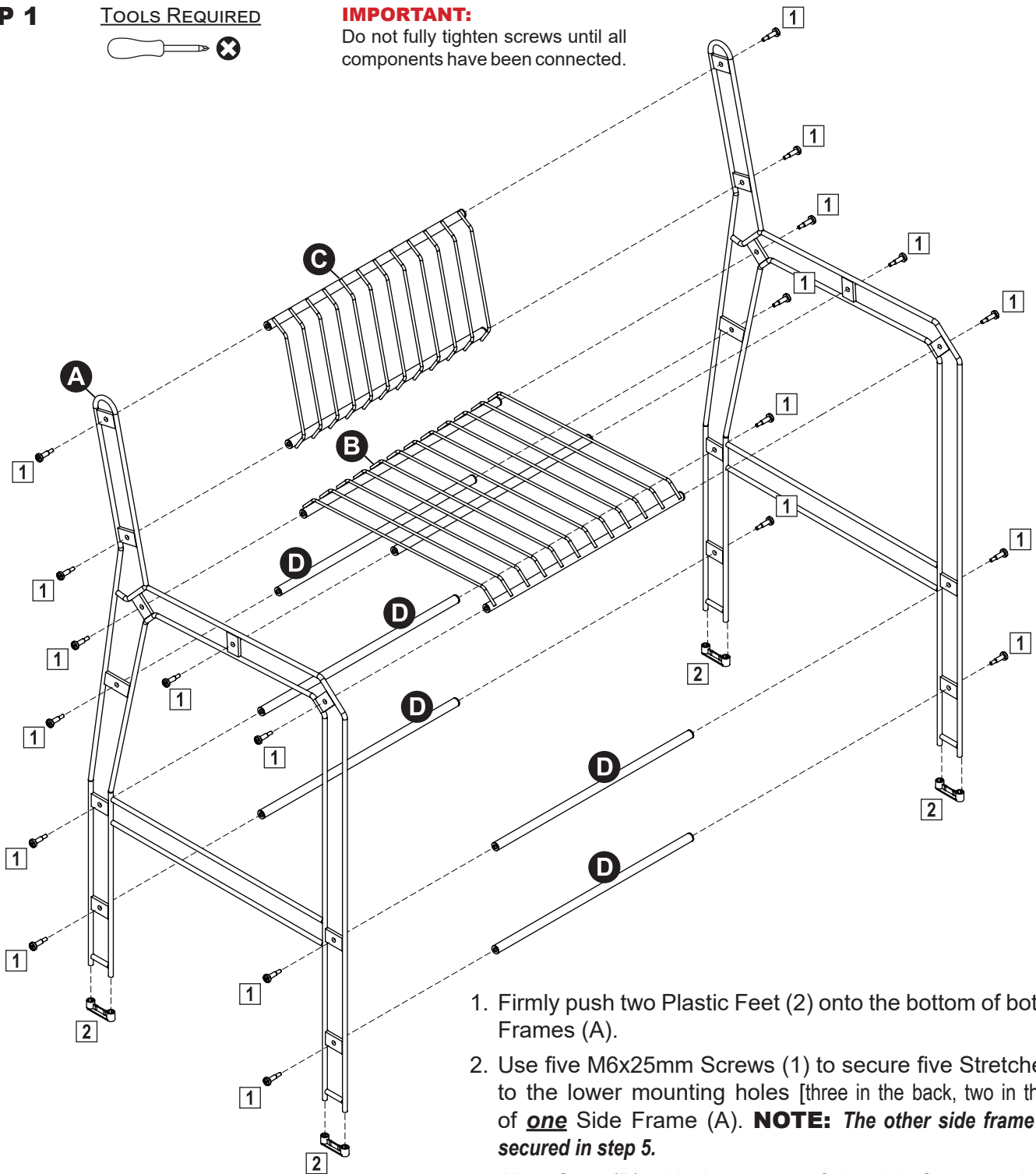
### TOOLS REQUIRED



- A: 2
- B: 1
- C: 1
- D: 5
- 1: 20
- 2: 4

### IMPORTANT:

Do not fully tighten screws until all components have been connected.



1. Firmly push two Plastic Feet (2) onto the bottom of both Side Frames (A).
2. Use five M6x25mm Screws (1) to secure five Stretchers (D) to the lower mounting holes [three in the back, two in the front] of one Side Frame (A). **NOTE: The other side frame will be secured in step 5.**
3. Align Seat (B) with the center of the side frame and secure by hand-tightening three M6x25mm Screws (1).
4. Align Backrest (C) with the top of the side frame and secure by hand-tightening two M6x25mm Screws (1).
5. Align remaining Side Frame (A) with the backrest, seat, and stretchers and secure the frame using ten M6x25mm Screws (1).
6. Firmly tighten all screws.

# Care & Maintenance

**SAFE USE:** For residential use only. Only use on a flat, level surface.

**INSPECT:** Periodically check assembly points and tighten fittings as necessary.

**COVER:** When not in use, cover furniture with a breathable cover to help protect it from the harmful effects of sunlight, inclement weather, as well as dust build-up, and collecting debris.

**WINTER CARE & STORAGE:** During winter & freezing temperatures, move furniture to a cool, dry indoor location.

**SCRATCHES:** The finish on this product is tough & durable but, even under normal use, some scratching is inevitable. Scratches can be repaired with rust-resistant paint (not included).

**WARNING:** THE ONE-YEAR WARRANTY DOES NOT COVER DAMAGES OR DEFECTS CAUSED BY THE APPLICATION OF CHEMICAL TREATMENTS, PROTECTIVE COATINGS, OR TOUCH-UP PAINT.

## Cleaning



HAND-WASH ONLY



DO NOT USE BLEACH



DO NOT USE A PRESSURE WASHER

Mix warm water with mild detergent. Use a soft cloth to hand-wash the furniture. Use a garden hose to thoroughly rinse away all soap residue. To prevent water spotting, dry furniture with a soft, lint-free cloth.

### ! SAFETY STATEMENTS & WARNINGS !

- For residential use only. Not for commercial or industrial use.
- Ensure all fittings are tight before use. Periodically check fittings to ensure they remain tight.
- Only use this unit on a flat, level surface.
- Never stand or climb on the unit.
- Never allow children to use this product unsupervised.
- Do not place liquids or hot items directly on the furniture.
- Keep furniture a safe distance from heat sources such as fire pits, patio heaters, and grills.
- Never use chemical cleaning products or polishes as doing so may damage the finish.
- Do not exceed the weight capacity of the furniture.

**Any modification to the product or failure to follow recommended care will void the product warranty.**

*If you experience issues with assembly or the product was damaged during shipping, please contact our customer service team directly through one of the methods mentioned at the top of page 1.*

*Please have the item number and order information ready to expedite response time.*

### ! WARNING:

**Manufacturer and seller expressly disclaim any and all liability from personal injury, property damage or loss, whether direct or indirect, or incidental, resulting from the incorrect attachment, improper use, inadequate maintenance, or neglect of this product.**