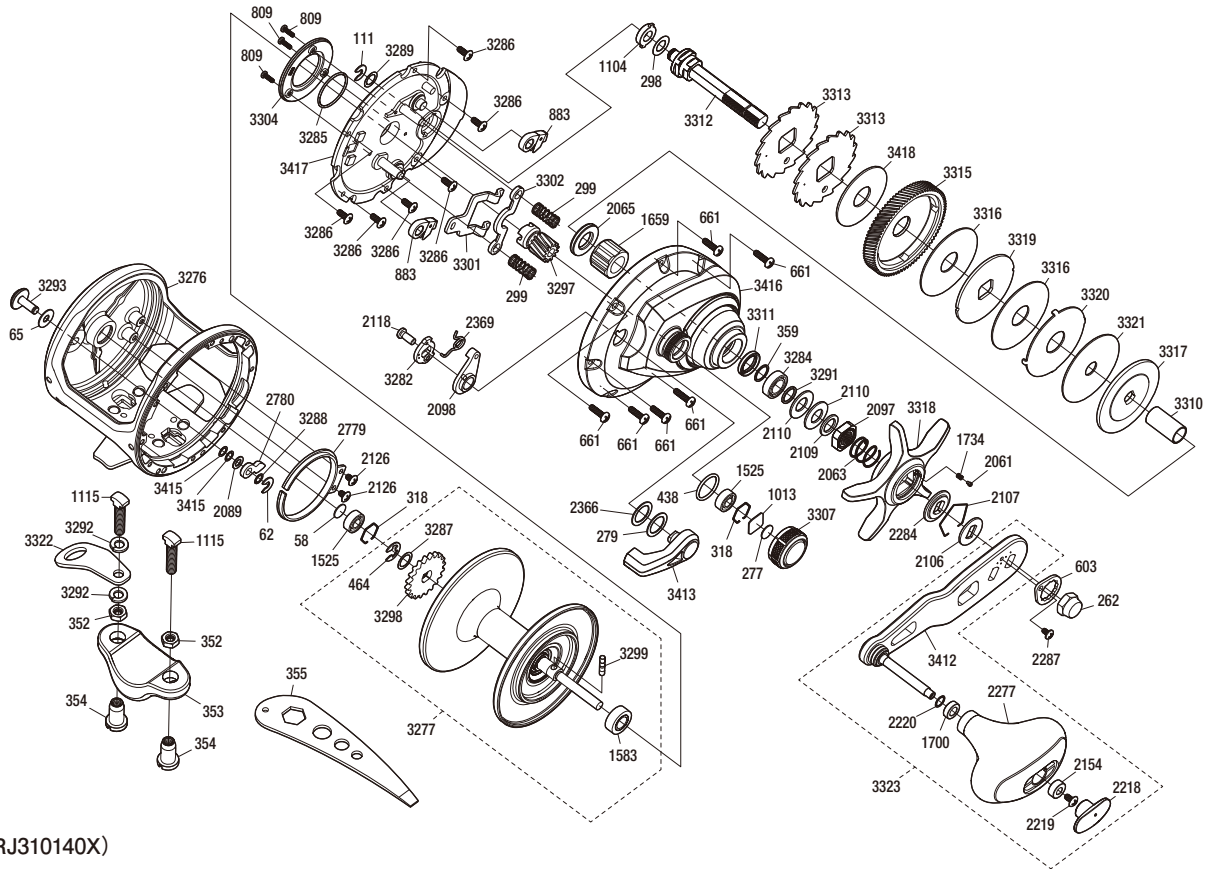


SHIMANO

TORIUM

TOR40HGA



(51RJ310140X)

| # | Part No. | Description | # | Part No. | Description | # | Part No. | Description |
|------|----------|---------------------------|------|----------|-----------------------|------|----------|------------------------------|
| 58 | 10GEU | Spacer B | 2107 | 10KXW | Click Plate Retainer | 3302 | 10QWS | Yoke |
| 62 | 105NK | E Lock | 2109 | 10J1P | Star Drag Spacer | 3304 | 100FC | Drainage Plate |
| 65 | 104H2 | Washer | 2110 | 109LA | Coned Disc Spring 8h | 3307 | 10QWM | Cast Control Cap |
| 111 | 105NJ | E Lock | 2118 | 10MFB | Screw | 3310 | 10QX2 | Roller Clutch Inner Tube |
| 277 | 10FT1 | Handle Nut | 2126 | 10LHW | Screw | 3311 | 10SK0 | Roller Clutch Water Proof |
| 279 | 10JYS | Washer | 2218 | 106K0 | Handle Knob Seal | 3312 | 10QX1 | Drive Shaft |
| 298 | 10588 | Washer | 2219 | 10LFA | Screw | 3313 | 10EEQ | Anti-Reverse Ratchet |
| 299 | 104BY | Yoke Spring | 2220 | 10HEP | Washer | 3315 | 10QWQ | Drive Gear |
| 318 | 10GGM | Bearing Retainer | 2277 | 105ZD | Handle Knob | 3316 | 10QWY | Drag Washer B |
| 359 | 105PW | Washer | 2284 | 10J26 | Star Drag Click Plate | 3317 | 10SK1 | Key Washer |
| 438 | 108WK | O Ring | 2287 | 10LLU | Screw | 3318 | 100XQ | Star Drag |
| 464 | 105RY | E Lock | 2366 | 10JYT | Washer | 3319 | 10QX7 | Drag Washer C |
| 603 | 10LMC | Handle Nut Plate | 2369 | 10JYW | Clutch Spring | 3320 | 10QWV | Eared Washer E |
| 661 | 10M70 | Screw | 2779 | 10GUV | Click Spring | 3321 | 10QXC | Drag Washer F |
| 809 | 103NH | Screw | 2780 | 10GQP | Click Pawl | 3323 | 10E96 | Handle Assembly |
| 883 | 10MWC | Anti-Reverse Pawl | 3276 | 10RE9 | Frame Assembly | 3412 | 101F4 | Handle Shank Assembly |
| 1013 | 1085F | Spool Tension Spacer | 3277 | 10REA | Spool Assembly | 3413 | 101F0 | Clutch Lever |
| 1104 | 10G74 | Bushing | 3282 | 10E91 | Clutch Cam | 3415 | 10KF8 | Washer |
| 1525 | 105CA | Ball Bearing | 3284 | 104PT | Ball Bearing | 3416 | 101F2 | Right Side Plate |
| 1583 | 104Q5 | Ball Bearing | 3285 | 1004V | O Ring | 3417 | 101G0 | Left Side Plate Set Assembly |
| 1659 | 10F37 | Roller Clutch Bearing | 3286 | 10T7L | Screw | 3418 | 10RND | Drag Washer A |
| 1700 | 104UJ | Bushing | 3287 | 10GR4 | Washer | | | |
| 1734 | 10BT2 | Click Spring | 3288 | 10HER | Washer | 352 | 105N9 | Rod Clamp Nut B |
| 2061 | 10MFC | Click Pin B | 3289 | 10G4U | Washer | 353 | 10AR5 | Rod Clamp |
| 2063 | 10A70 | Star Drag Spring | 3291 | 100SE | Washer | 354 | 1046P | Rod Clamp Nut A |
| 2065 | 10C69 | Roller Clutch Water Proof | 3299 | 10QWP | Pinion Gear | 1115 | 10EXG | Screw |
| 2089 | 10GHP | Washer | 3297 | 10QWV | Washer | 3292 | 10QWZ | Washer |
| 2097 | 10A3X | Star Drag Nut | 3298 | 10QWN | Click Gear | 3322 | 10QXB | Hook Keeper |
| 2098 | 10L2A | Eccentric Cam Bushing | 3299 | 10MGS | Spool Clutch Pin | | | |
| 2106 | 107QN | Drive Shaft Shield | 3301 | 10QWR | Yoke Plate | | | |
| | | | | | | 355 | 10MJ2 | Wrench (Accessory) |

Please note that the number of adjusting washers may not be the same as shown in the exploded views.
(Adjustment will vary with each individual product.)

(230712)_004