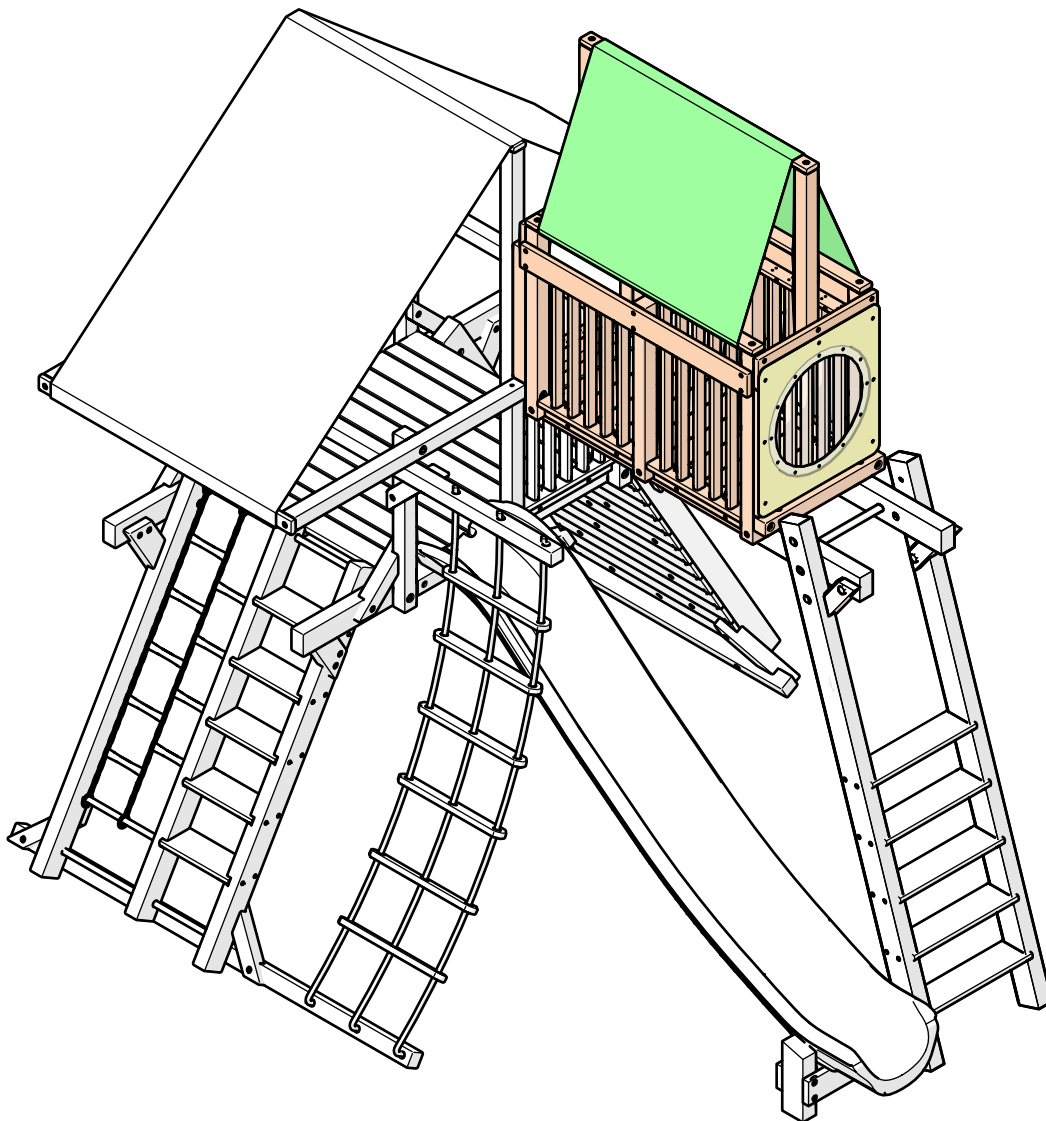




SKYBOX

Assembly Instructions



PG-BN-SKYBOX

817 Maxwell Avenue • Evansville, IN 47711 • 1-800-GO-SWING • www.childlife.com

©2015 Escalade Sports

I N T R O D U C T I O N

Welcome to our family of ready-to-build backyard play equipment. CHILDLIFE playsets are designed with ease of assembly in mind and we provide these step-by-step installation instructions.

After reading the information below, locate your structure site and carefully unpack parts. As you unpack your playset, keep the parts identification sheet handy and become familiar with each part before beginning assembly. **Remember that a little extra time spent familiarizing yourself with the parts and instructions before you begin will help you avoid mistakes and save you time later.**

Choosing A Location For Your Playset

When selecting your structure site, always keep the child's safety in mind. Here are some recommendations to help you create a safe play area.

A. The playset should be located on level ground. The stationary components such as ladders and slides are **REQUIRED** to be a minimum of six feet from any structure or obstruction such as a fence, garage, house, tree or overhanging branches, electrical wires or clotheslines. Any swinging equipment is also **REQUIRED** to be a minimum distance twice the height of the swing beam away from these obstructions or structures as well. We also recommend that you do not install your playset near a lake, river, swimming pool or other water hazard.

B. The U.S. Consumer Product Safety Commission (CPSC) recommends that you install and maintain a resilient surface under your play equipment. The CPSC's Consumer Information Sheet for Playground Surfacing Materials at the end of this manual. A resilient surface, should be installed after the equipment has been completely assembled according to these instructions. The equipment must rest on solid ground. Please note that this product has a maximum fall height of 8'.

Do not install home playground equipment indoors, or over concrete, asphalt, packed earth, grass, carpet or any other hard surface. A fall onto a hard surface can result in serious or fatal injury.

Responsible on-site adult supervision is one of the most important contributions to children's safety that you can make. CHILDLIFE strongly recommends on-site adult supervision of children of all ages. Safe swinging and climbing skills need to be taught to children, just like any other physical activity.

The weight limit for any single user on CHILDLIFE play equipment is 200 pounds. Limit the number of users to one on each swing. The tower portion of the play system will accommodate four (4) additional users.

When the time comes to disassemble and dispose of the play equipment, do so in such a way that no hazards will exist at the time the equipment is discarded.

Maintaining Your Playset

Here are some maintenance tips required to insure safe enjoyment of your equipment for years to come.

A. At the beginning of each usage season and every two weeks during, check: nuts and bolts and tighten as needed, swing seats, chains, ladders, slides, rope and wood components for signs of deterioration and replace if necessary.

B. On a yearly basis, we recommend that you coat your playset with a sealant or preservative. You may also want to spot sand any areas prior to sealing. Be sure that the sealant you select is non-toxic and child safe.

C. Do not use line trimmers or "weed eaters" around your play equipment. The line will remove both stain and wood from uprights and base pieces. Any damage resulting from this type of abuse is not covered under our limited warranty.

D. Remove plastic swing seats and take indoors or do not use when the temperature drops below 0° F.

If you have any questions about your playset, or are in need of replacement parts, call 1-800-GO-SWING.

Please keep these instructions for future reference.

Teach Children:

- Not to walk close to, in front of, behind, or between moving items.
- Not to twist the swing ropes, or loop them over the top support bar, since this may reduce the strength of the rope.
- Not to swing empty swing seats.
- Not to swing sideways into the path of adjacent swings.
- Not to use the equipment in a manner other than that for which it is intended.
- Not to get off the equipment while it is in motion.
- Not to jump off the tower.
- Not to climb or swing when they are wet or when the equipment is wet.
- To sit in the center of the swings with their full weight on the seats.
- To hold on to swings and climbers with both hands.
- Not to stand in the swing seats.
- Not to ride or leave bicycles or other toys in the swing area.
- Not to use hammers, saws, nails, or wrenches on the equipment.
- Not to swing so high that chains become slack, or above the height of the swing support.
- Not to jump on a slide.
- Not to climb on top of the swing support.
- Not to attach to the playground equipment any item that is not specifically designed for use with the equipment, such as (but not limited to) jump ropes, clotheslines, pet leashes, cables, and chains. These may become strangulation hazards.
- To slide feet first, never head first.
- To watch for other children while swinging or playing near the equipment.

In Addition, Adults Must:

- Limit climbing and swinging heights to each child's ability.
 - Verify that suspended climbing ropes are secured at both ends.
 - Verify that suspended climbing ropes cannot be looped back on themselves.
 - Dress children appropriately for play. Use well-fitting shoes that do not have slippery soles.
- Avoid ponchos, scarves, hoods, loose-fitting clothing, neckties, and any clothing with a drawstring. Serious injury could result should any part of the children's clothing become entangled in the equipment.
- Do not allow children to play wearing helmets.
 - Remember that children are inventive. When they develop games that are unsafe, be alert and change the rules.

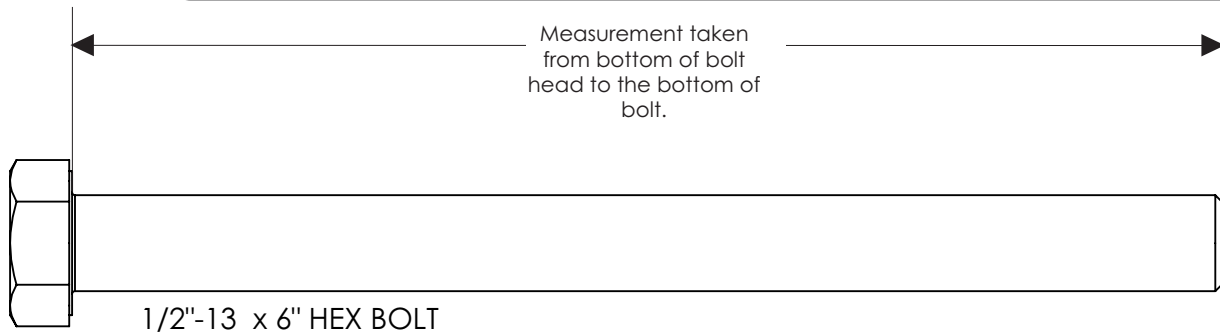
HARDWARE IDENTIFICATION

NOTE TO INSTALLER

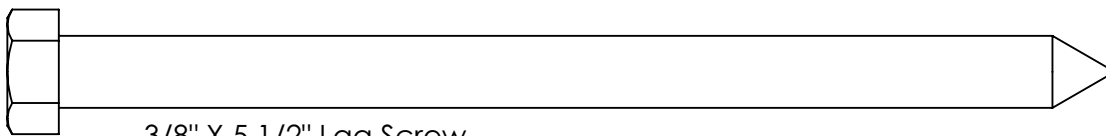
You must assemble this product in accordance with these Assembly Instructions.
After assembly is complete, please give this Owner's Manual to the owner of the play system.

Measurement taken
from bottom of bolt
head to the bottom of
bolt.

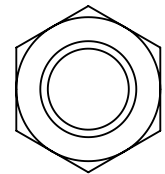
0
1
2
3
4
5
6
7
8
9



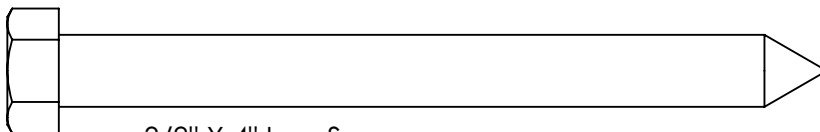
1/2"-13 x 6" HEX BOLT
PG-HW-B013
QTY (4)



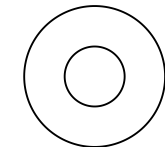
3/8" X 5 1/2" Lag Screw
PG-HW-L015
QTY (10)



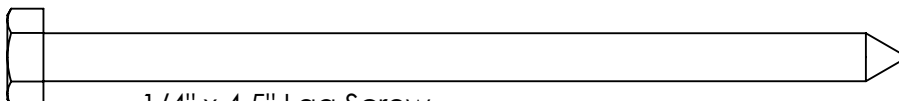
1/2" Nylon Locknut
PG-HW-N004
QTY (4)



3/8" X 4" Lag Screw
PG-HW-L013
QTY (6)



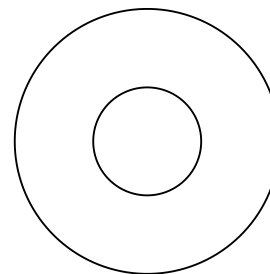
1/4" Flat Washer
PG-HW-W002
QTY (34)



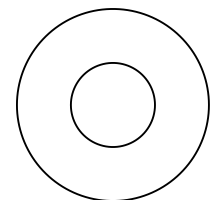
1/4" x 4.5" Lag Screw
PG-HW-L002
QTY (6)



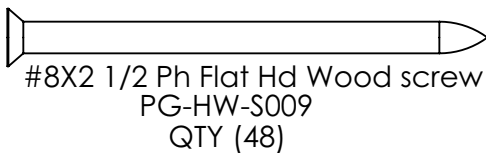
1/4 x 3" Hex Lag Screw
PG-HW-L009
QTY (28)



1/2" Flat Washer
PG-HW-W005
QTY (8)



3/8" Flat Washer
PG-HW-W004
QTY (16)



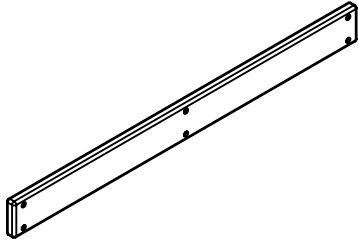
#8X2 1/2 Ph Flat Hd Wood screw
PG-HW-S009
QTY (48)

TOOLS NEEDED

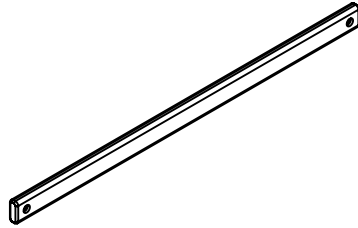
1/2" Drive Ratchet
9/16" Socket
3/4" Socket

Drill & 3/8" Bit
Rubber Mallet
A Friend or Neighbor

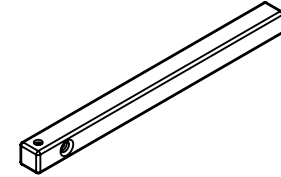
STANDARD PARTS LIST



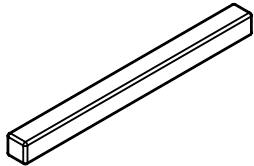
60 3/4 Safety Rail
PG-2X6-061-SR
QTY (2)



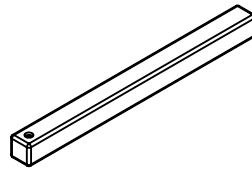
60 5/8" Horizontal Roof Support
PG-2X4-061-HRS
QTY (3)



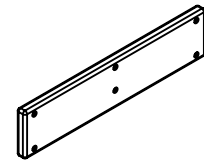
43 1/2" Sky Box Corner Post
PG-4X4-044-CP
QTY (4)



40-1/4 Vertical Roof Support
PG-4X4-040-VRS
QTY (2)

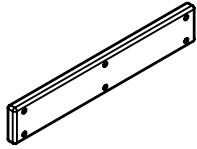


40 1/4" Skybox VPD
PG-4X4-040-VPD
QTY (2)

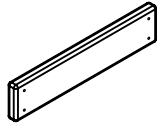


32 x 2 x 6 Safety Rail
PG-2X8-032-SR
QTY (1)

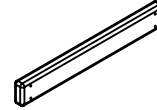
STANDARD PARTS LIST



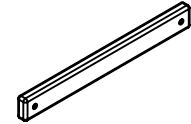
32 x 2 x 6 Safety Rail
PG-2X6-032-SR
QTY (1)



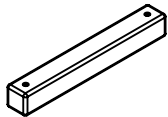
25" x 2 x 6 DECK BOARD
PG-2X6-025-DEK
QTY (10)



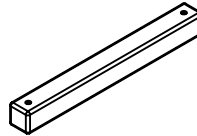
25" x 2 x 4 DECK BOARD
PG-2X4-025-DEK
QTY (2)



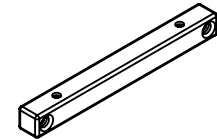
29 1/4" x 2 x 4 DECK BOARD
PG-2X4-029-FIL
QTY (2)



25" Ladder Filler
PG-4X4-025-FIL
QTY (1)



31" Ladder Filler
PG-4X4-031-FIL
QTY (2)



32" Deck Support Sky Box
PG-4X4-032-DS
QTY (2)

ATTACH DECK SUPPORT & SAFETY RAIL TO CORNER POSTS

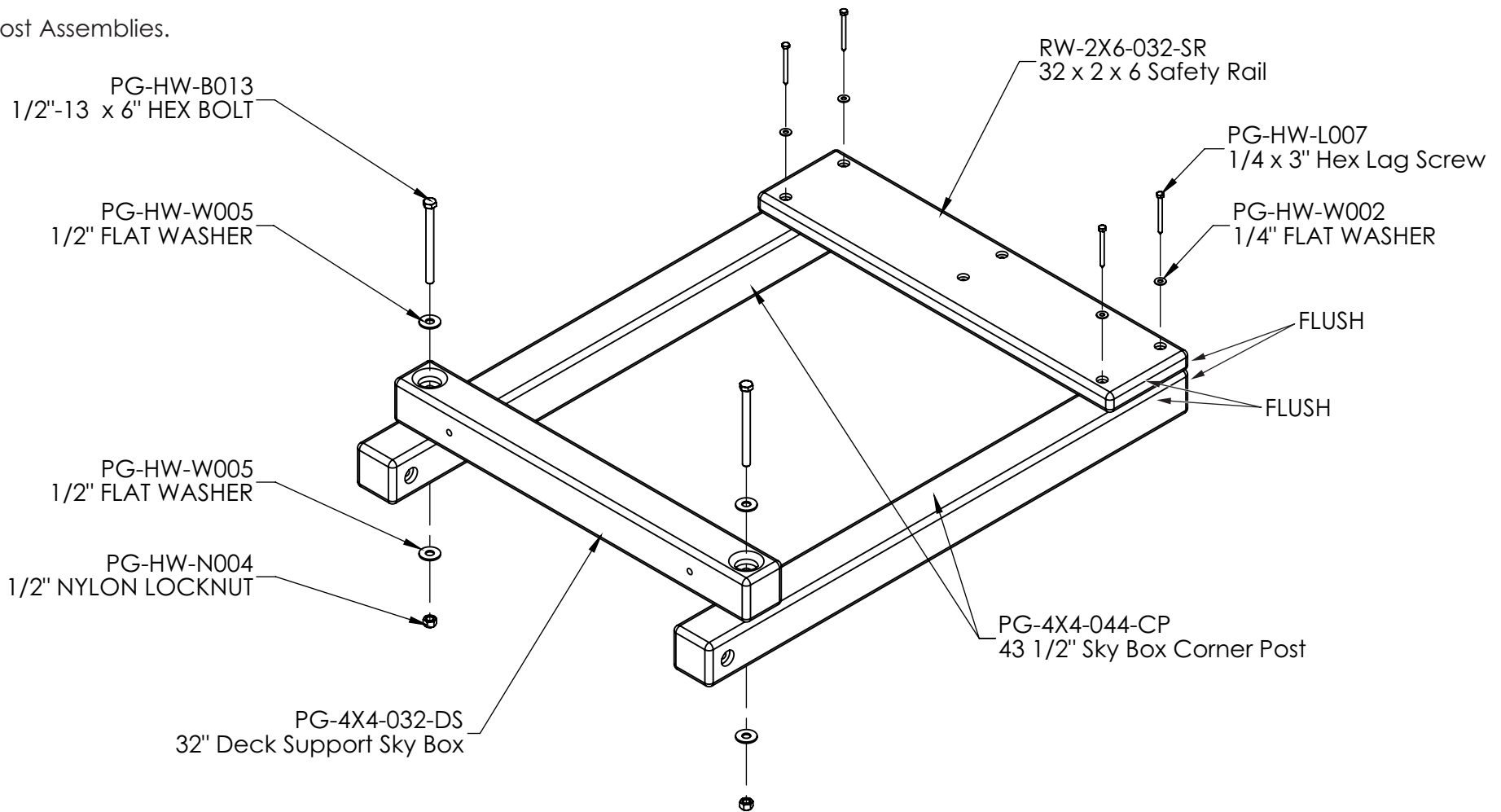
1. Attach **Deck Supports** to **Corner Posts** as shown, tighten hardware but leave loose enough for the Corner Post to be able to move freely (hardware will be tightened completely in step 3).
2. Attach **Safety Rail** to other end of **Corner Posts** making sure the Safety Rail is **flush** with the side and the top of Corner posts.
3. Repeat steps 1-2 to assemble second Corner Post assembly. At this time tighten all Deck Support Hardware completely on Corner Post Assemblies.

PARTS NEEDED:

- (4) 43 1/2" Corner Post
- (2) 32" Deck Support
- (2) 32 x 2 x 6 Safety Rail

HARDWARE NEEDED:

- (4) 1/2"-13 X 6" Hex Bolt
- (8) 1/2" Flat Washer
- (4) 1/2" Locknut
- (8) 1/4 X 3" Hex Lag Screw
- (8) 1/4" Flat Washer



ATTACH TWO DECK BOARDS TO CORNER POST ASSEMBLIES FROM PREVIOUS STEP

4. Attach **two** Deck Boards on **one** of the Corner Post assemblies from previous step. Space Deck boards evenly between Safety Rail and Deck Support as shown.

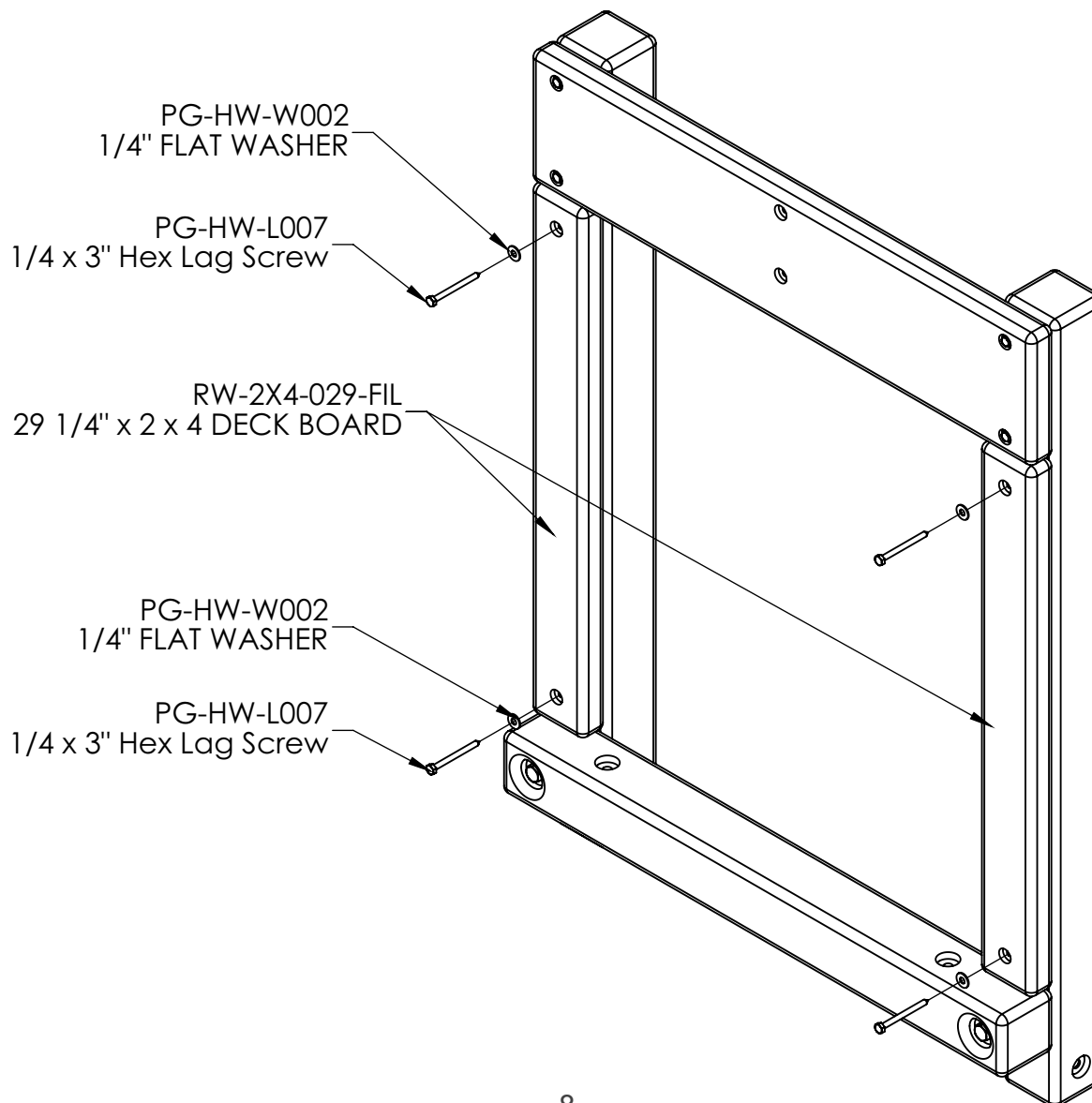
PARTS NEEDED:

(2) 29 1/4" X 2 x 4 Deck Board

HARDWARE NEEDED:

(4) 1/4 X 3" Hex Lag Screw

(4) 1/4" Flat Washer



ATTACH HORIZ. ROOF SUPPORT & SAFETY RAIL TO CORNER POST ASSEMBLIES

5. Attach two **Horizontal Roof Supports** to top of **Corner Posts** making sure that the sides and ends are flush with Corner Posts.

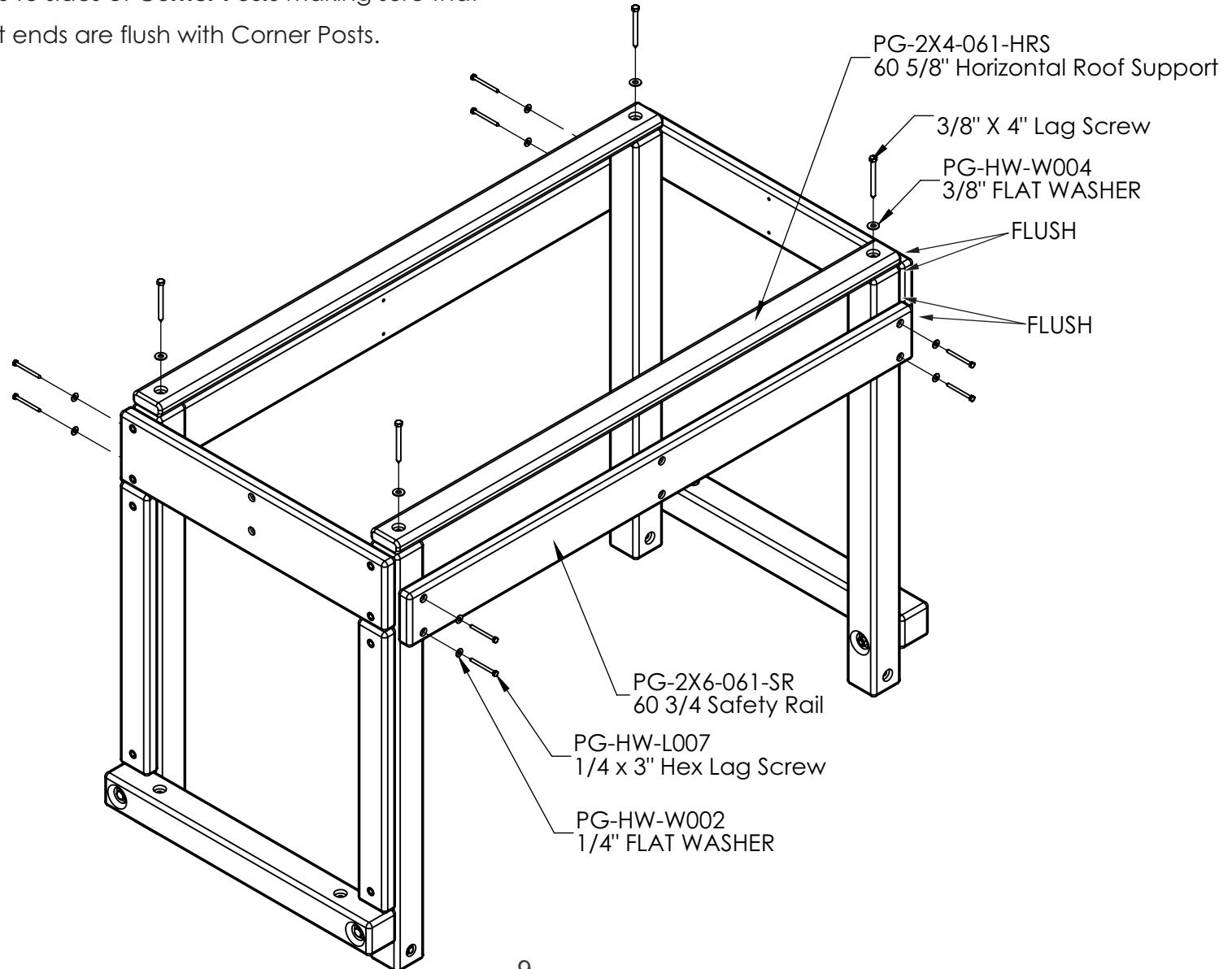
6. Attach two **Safety Rails** to sides of **Corner Posts** making sure that Rails are level and that ends are flush with Corner Posts.

PARTS NEEDED:

- (2) 60 5/8" Horiz. Roof Support
- (2) 60 3/4" Safety Rail
- (2) 32 x 2 x 6 Safety Rail

HARDWARE NEEDED:

- (4) 3/8" X 4" Lag Screw
- (4) 3/8" Flat Washer
- (8) 1/4 X 3" Hex Lag Screw
- (8) 1/4" Flat Washer



ATTACH HORIZONTAL ROOF SUPPORT & VERTICAL ROOF SUPPORTS

7. Attach **Vertical Roof Supports** to **Safety Rails** making sure that the supports are straight.

8. Attach **Horizontal Roof Supports** to top of **Vertical Roof Supports** making sure that the sides and ends are flush.

PARTS NEEDED:

(2) 40 1/4" Vert. Roof Support

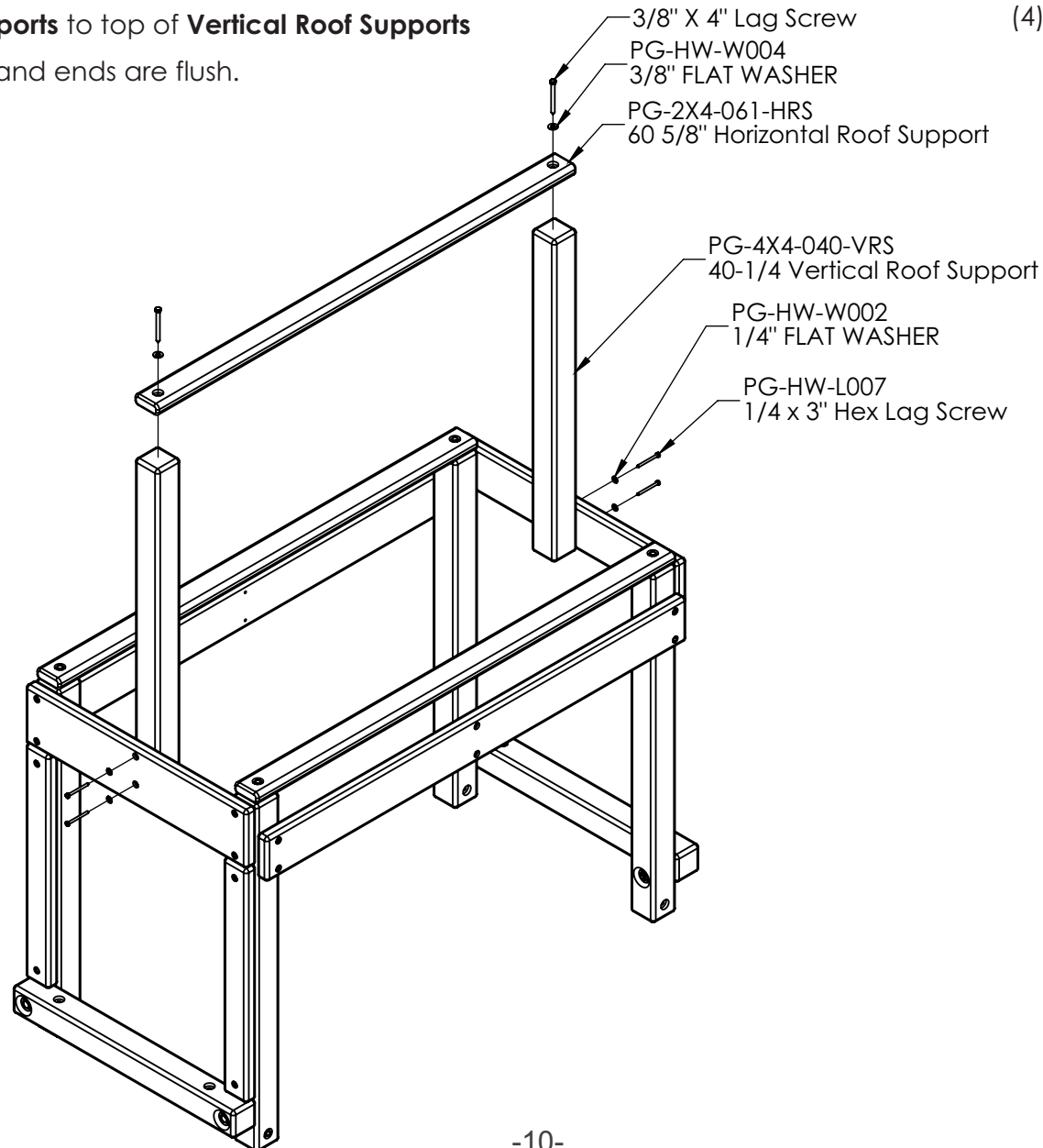
HARDWARE NEEDED:

(2) 3/8" X 4" Lag Screw

(2) 3/8" Flat Washer

(4) 1/4 X 3" Hex Lag Screw

(4) 1/4" Flat Washer



ATTACH FILLER BOARD (FOR 7 FOOT MONKEY CLIMBER ONLY)



If you are installing the Skybox on a **7 foot** Deck continue with this page.

If installing on a **5 or 6 foot** Deck **SKIP** this page and continue on **page 12**.

NOTE:

If you have a **7 foot** Deck attach **Filler Boards** to the back of Skybox assembly. When done continue to **page 12** and follow those directions, the assembly will be the same but will not show the Filler boards.

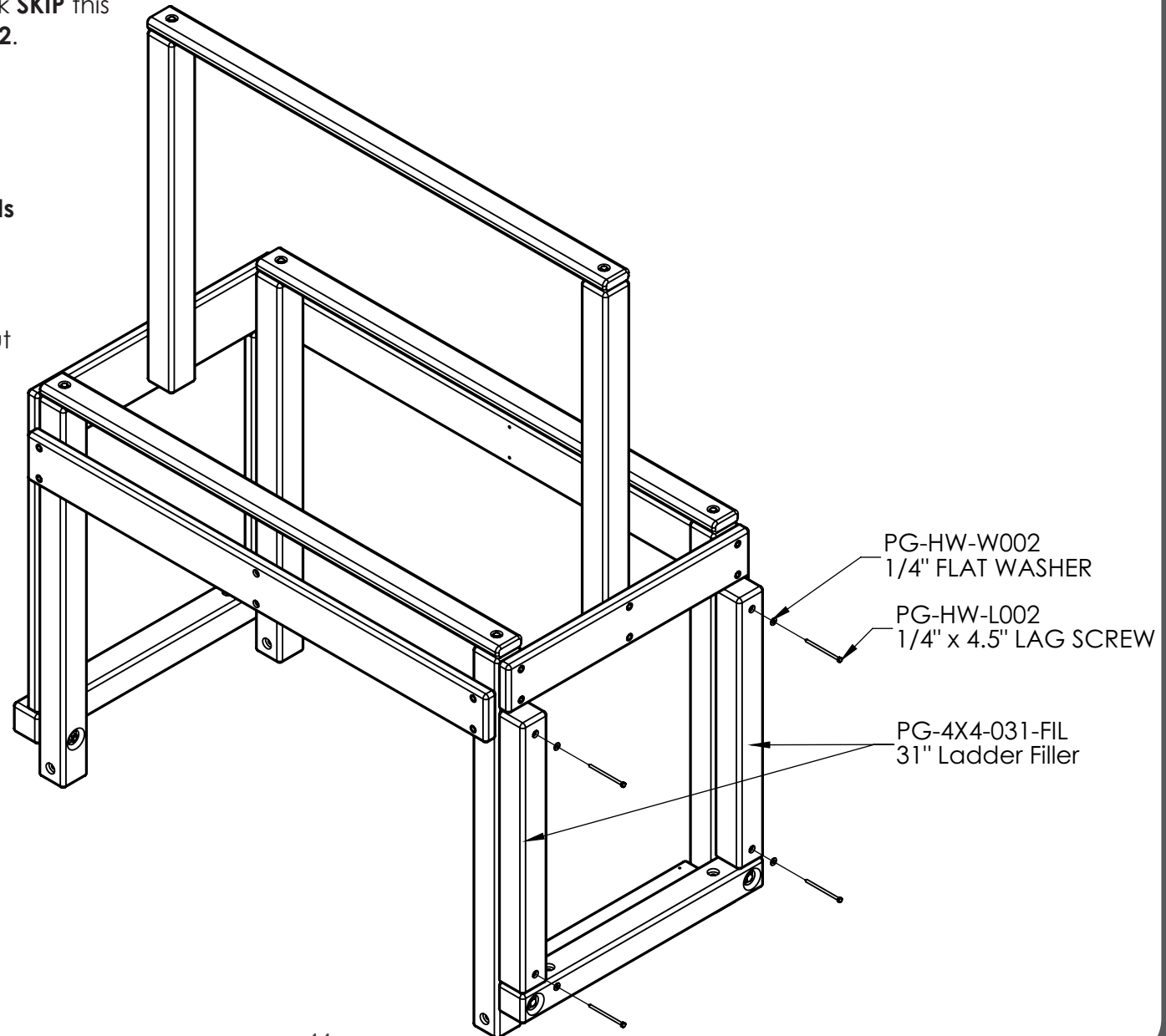
PARTS NEEDED:

(2) 31" Ladder Fillers

HARDWARE NEEDED:

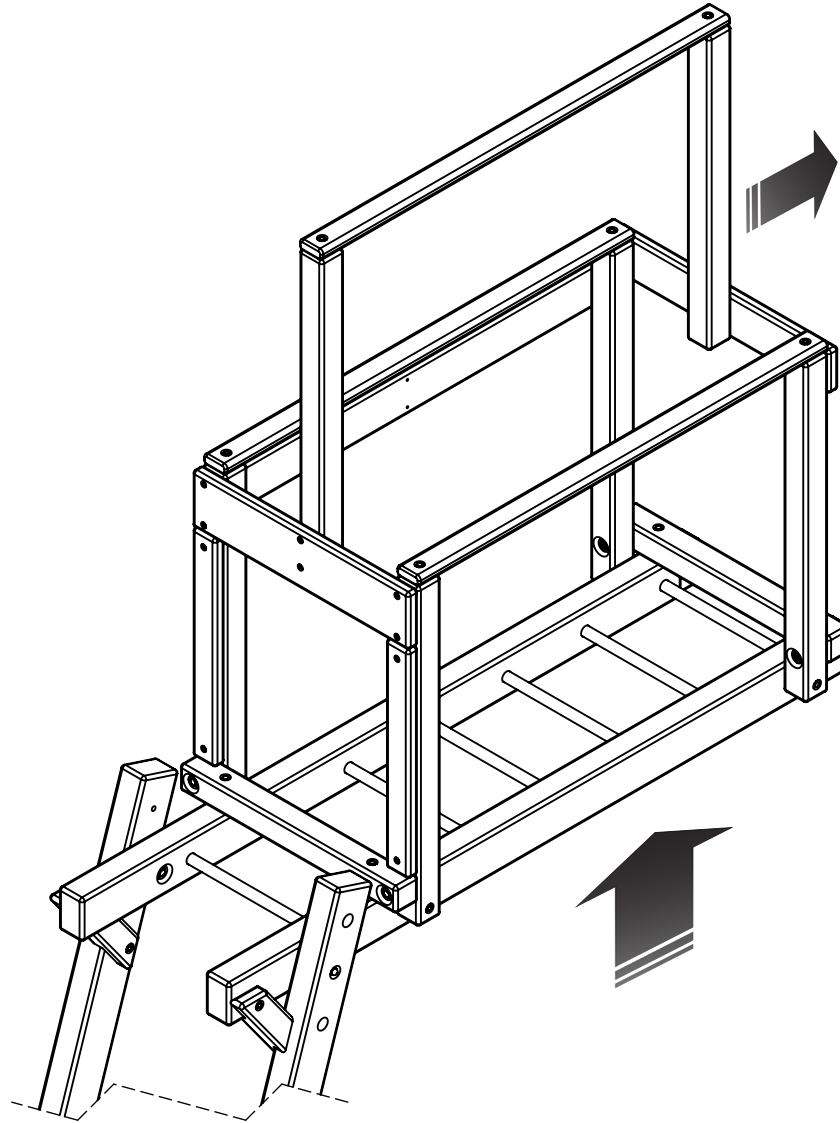
(4) 1/4 X 4.5" Hex Lag Screw

(4) 1/4" Flat Washer



SET SKYBOX ASSEMBLY ON TO MONKEY CLIMBER

9. With the help of **at least** another capable adult set Skybox Assembly on top of the Monkey Climber and push until it's **touching** the playset.



ATTACH SKYBOX ASSEMBLY TO MONKEY CLIMBER

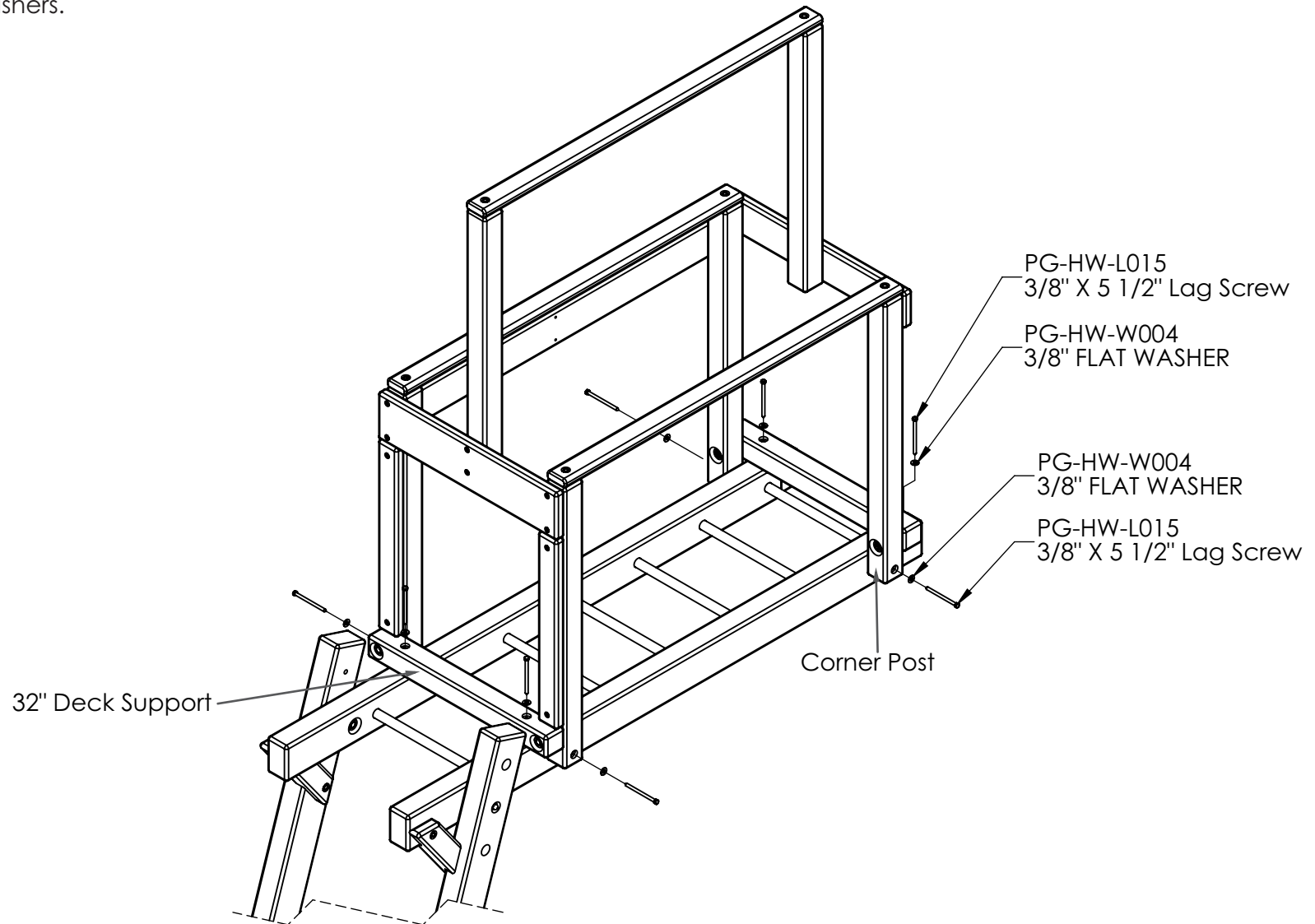
10. Secure the four **Corner Posts** to Ladder Rails with 3/8" Lag Screws and Washers.

HARDWARE NEEDED:

(8) 3/8" X 5 1/2" Lag Screw

(8) 3/8" Flat Washer

11. Secure both **Deck Supports** to the Ladder Rails using 3/8" Lag Screws and Washers.



ATTACH FILLER DECK BOARD (5&6 FOOT DECK HEIGHTS ONLY)



If you are installing the Skybox on a **7 foot** Deck go **SKIP** with this page and continue to **page 15**.

If installing on a **5 or 6 foot** Deck continue with this page.

NOTE:

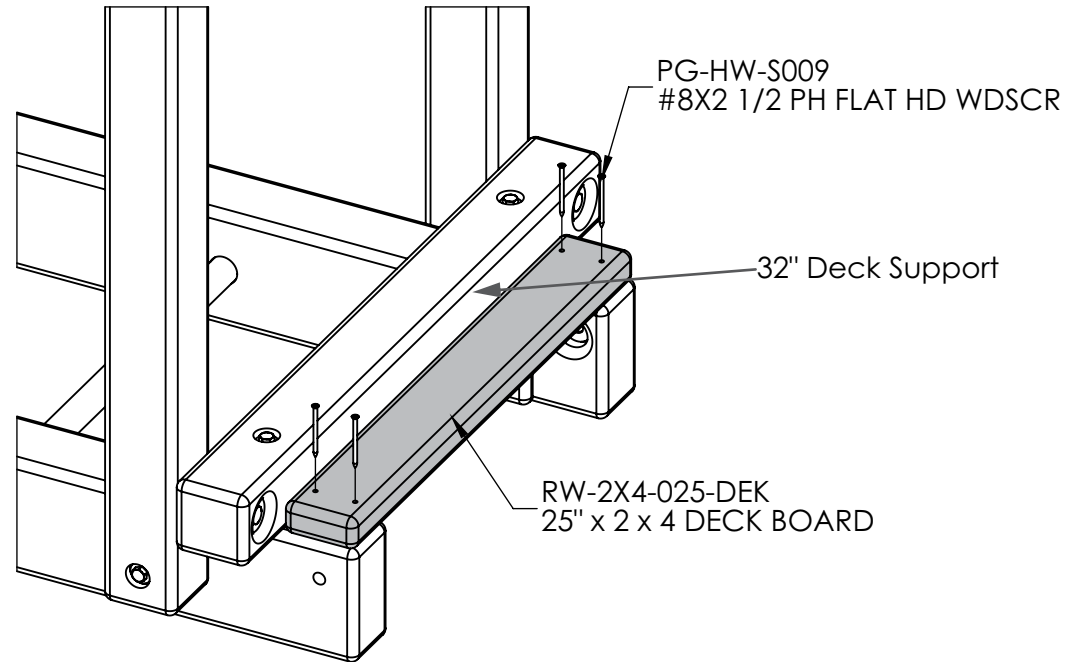
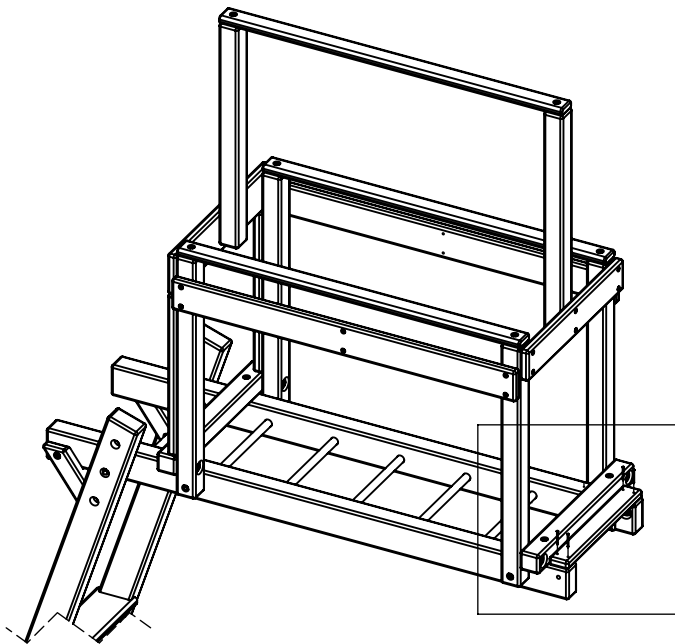
Attach a 25" **Deck Board** as a filler between your Deck Support and you playset as shown.

PARTS NEEDED:

(1) 25" x 2 x 4 Deck Board

HARDWARE NEEDED:

(4) #8 x 2 1/2" Flat Head Screw



ATTACH DECK BOARDS ON LADDER RAILS

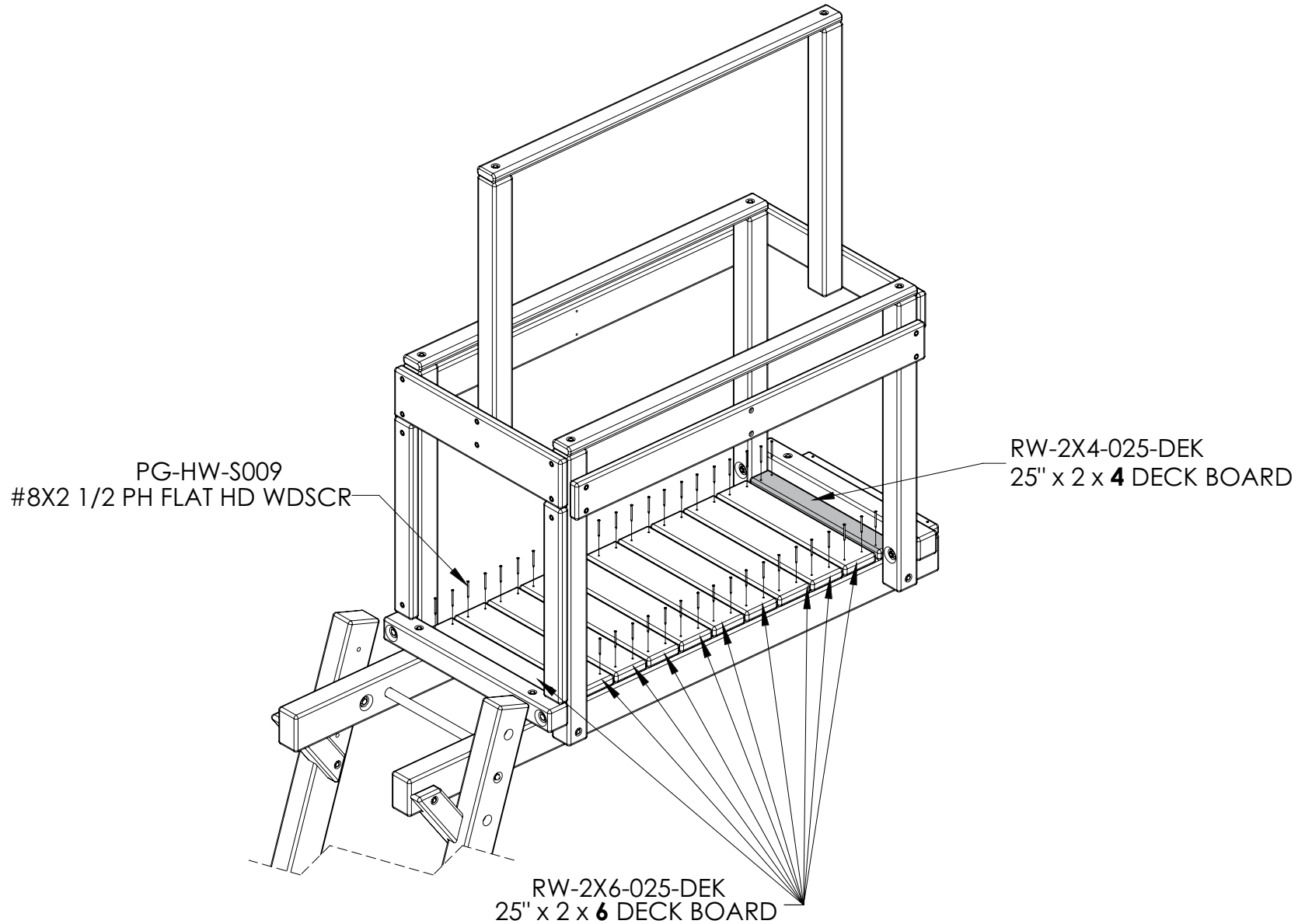
12. Lay out all Deck Boards on Ladder Rails making sure all parts are spaced out as evenly as possible.

PARTS NEEDED:

- (10) 25" x 2 x 6 Deck Board
- (1) 25" x 2 x 4 Deck Board

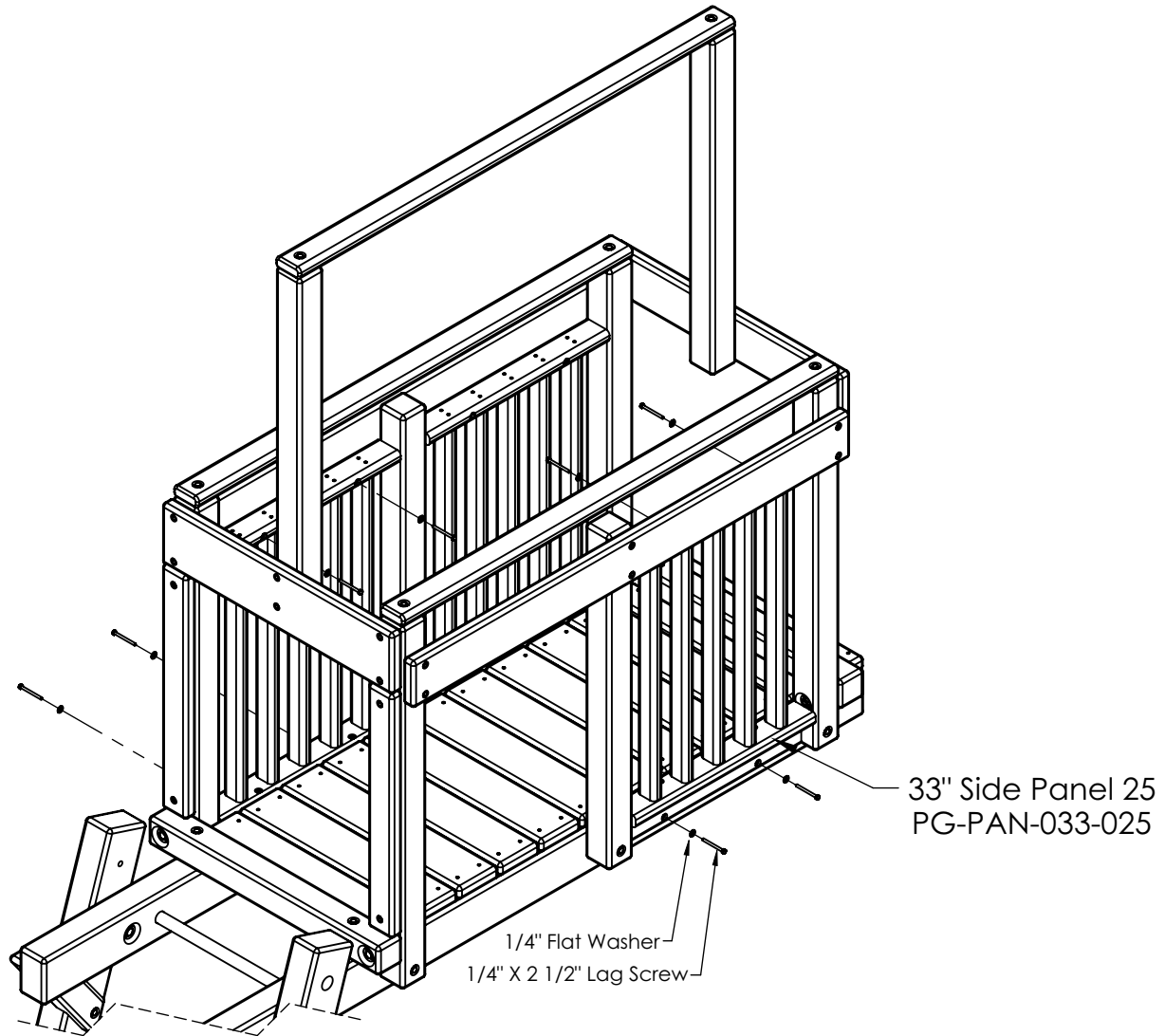
HARDWARE NEEDED:

- (44) #8 x 2 1/2" Flat Head Screw



ATTACH SIDE PANELS AS NEEDED

13. Attach Side panels, quantity of **Side Panels** and hardware will depend on accessories ordered.

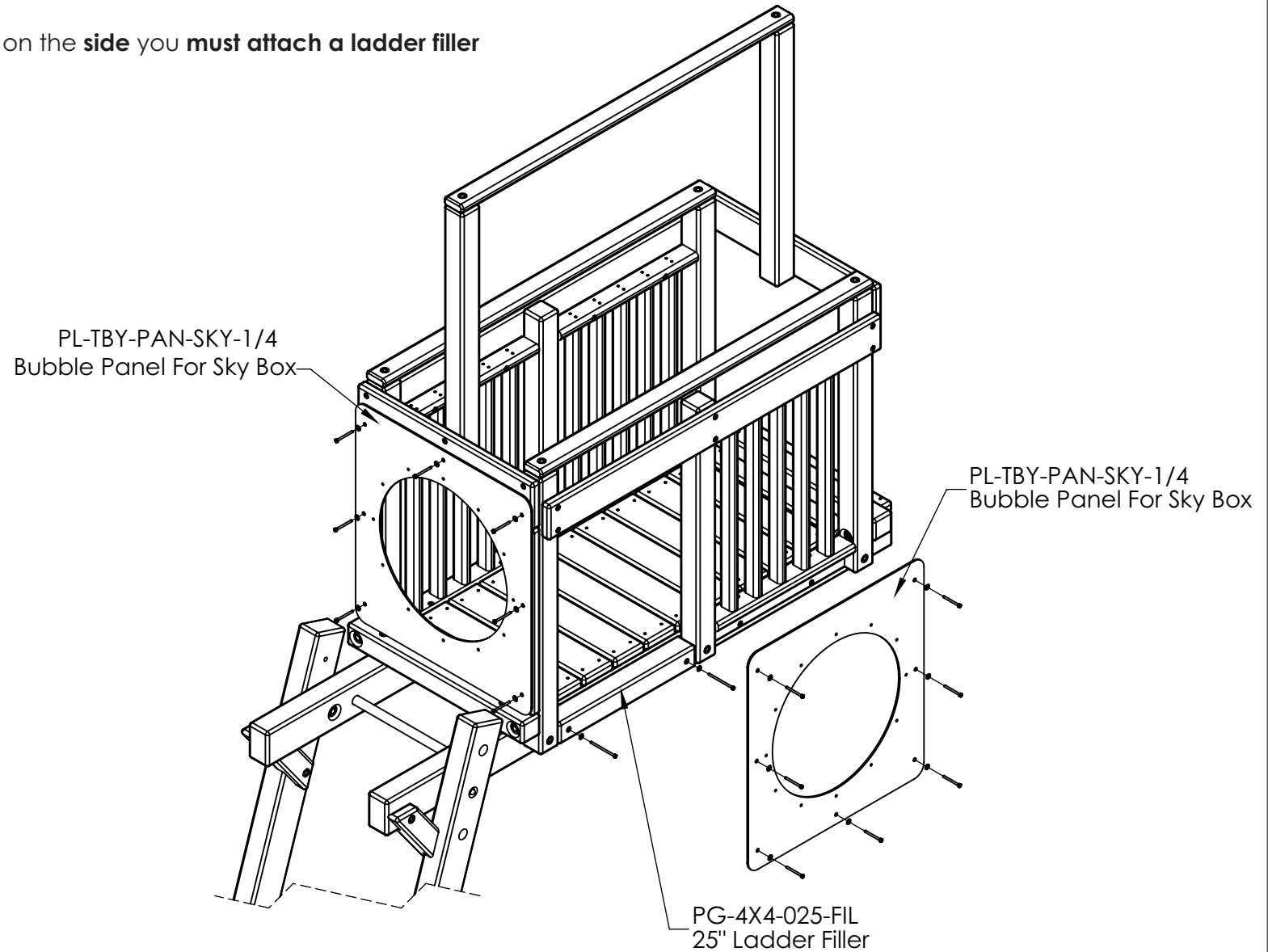


ATTACH BUBBLE PANELS AND LADDER FILLERS AS NEEDED

14. If a Bubble Panel was ordered attach as shown, if not continue to the tent installation.

NOTE:

If attaching a Bubble Panel on the **side** you **must attach a ladder filler first**.

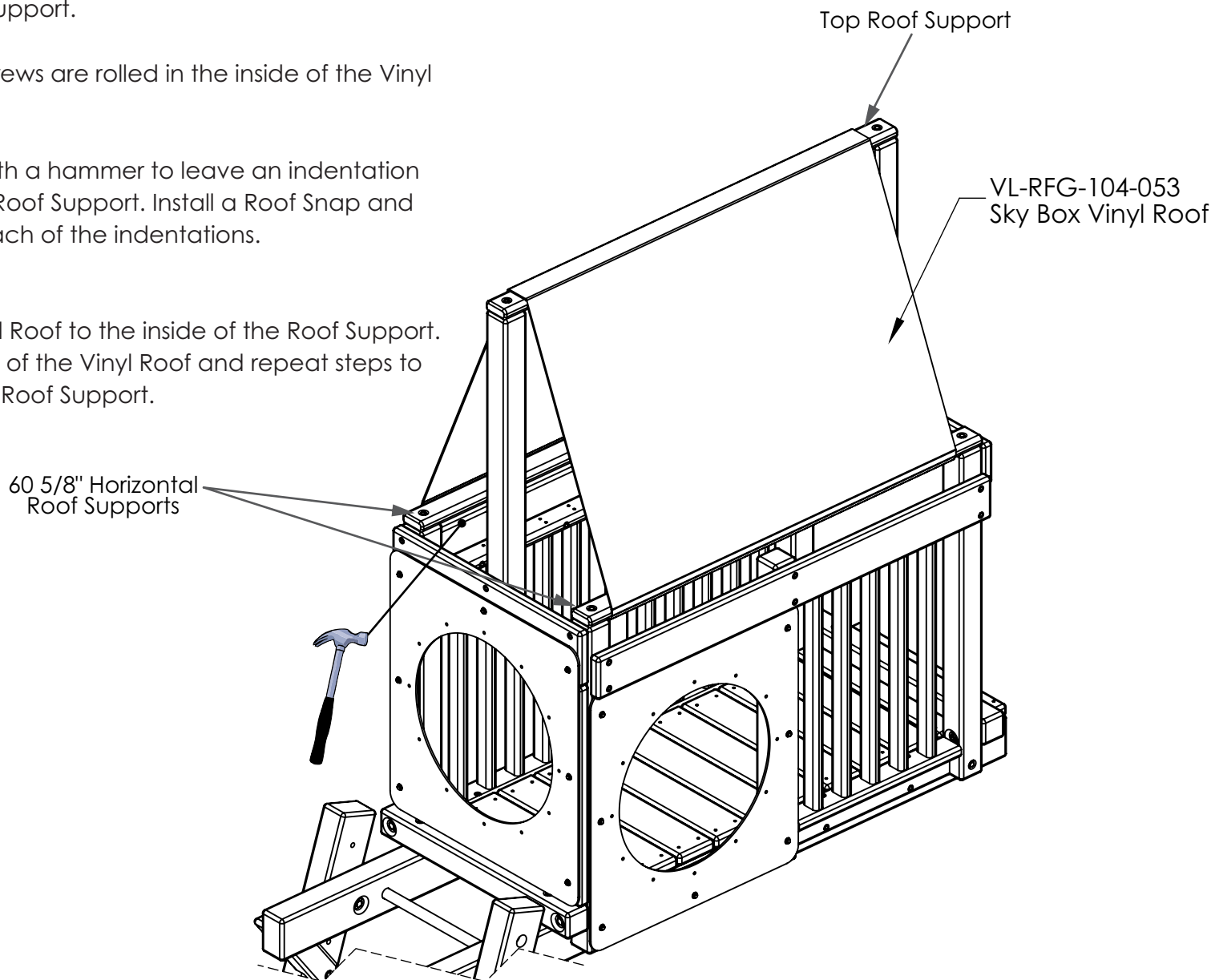


ATTACH VINYL ROOF TO HORIZONTAL ROOF SUPPORTS

15. Center the Vinyl Roof (tent) over Top Roof Support with the snaps facing down. Wrap one end of the Vinyl Roof under the 60 5/8" Horizontal Roof Support.

NOTE: Roof Snap and Screws are rolled in the inside of the Vinyl Roof.

16. Tap the snaps **GENTLY** with a hammer to leave an indentation in the 60 5/8" Horizontal Roof Support. Install a Roof Snap and Screw in the center of each of the indentations.
17. Snap this end of the Vinyl Roof to the inside of the Roof Support. Stretch the opposite end of the Vinyl Roof and repeat steps to attach it to the opposite Roof Support.



Consumer Information Sheet for Playground Surfacing Materials¹

The U.S. Consumer Product Safety Commission (CPSC) estimates that about 100,000 playground equipment-related injuries resulting from falls to the ground surface are treated annually in the U.S. hospital emergency rooms. Injuries involving this hazard pattern tend to be among the most serious of all playground injuries, and have the potential to be fatal, particularly when the injury is to the head.

The surface under and around playground equipment can be a major factor in determining the injury-causing potential of a fall. It is self evident that a fall onto a shock absorbing surface is less likely to cause a serious injury than a fall onto a hard surface. Playground equipment should never be placed on hard surfaces such as concrete or asphalt and while grass may appear to be acceptable it may quickly turn to hard packed earth in areas of high traffic. Shredded bark mulch, wood chips, fine sand or fine gravel are considered to be acceptable shock absorbing surfaces when installed and maintained at a sufficient depth under and around playground equipment.

The following table lists the maximum height from which a child would not be expected to sustain a life-threatening head injury in a fall onto four different loose-fill surfacing materials if they are installed and

maintained at depths of 6", 9", and 12". However, it should be recognized that all injuries due to falls cannot be prevented no matter what surfacing material is used.

It is recommended that a shock absorbing material should extend a minimum of 6' in all directions from the perimeter of stationary equipment such as climbers and slides. However, because children may deliberately jump from a moving swing, the shock absorbing material should extend in the front and rear of a swing a minimum distance of 2 times the height of the pivot point measured from a point directly beneath the pivot point supporting structure.

This information is intended to assist in comparing the relative shock-absorbing properties of various materials. No particular material is recommended over another. However, each material is only effective when properly maintained. Materials should be checked periodically and replenished to maintain correct depth as determined necessary for your equipment. The choice of a material depends on the type and height of the playground equipment, the availability of the material in your area, and its cost.

FALL HEIGHT IN FEET FROM WHICH A LIFE THREATENING HEAD INJURY WOULD NOT BE EXPECTED

TYPE OF MATERIAL	6" DEPTH	9" DEPTH	12" DEPTH
Double Shredded Bark Mulch	6'	10'	11'
Wood Chips	6'	7'	12'
Fine Sand	5'	5'	9'
Fine Gravel	6'	7'	10'

¹This information has been extracted from the CPSC publications "Playground Surfacing—Technical Information Guide" and "Handbook for Public Playground Safety." Copies of these reports can be obtained by sending a postcard to the Office of Public Affairs, U.S. Consumer Product Safety Commission, Washington, D.C. 20207. Or call the toll-free hotline: 1-800-638-2772.

ChildLife® Playsets

ChildLife Limited Lifetime
& TwoYear Warranties

Subject to proper installation and normal residential use, Escalade Sports warrants, subject to the limitations stated below, to the original retail purchaser, all chain, seats, swing hangers, hardware, metal braces, ropes and accessories to be free from defects in material and workmanship for a period of two years from date of purchase. Cracks in non-functional plastic components are not considered defects in materials and workmanship if they do not affect the functionality of the playset. Merchandise covered under this limited two-year warranty will, at our option, be repaired or replaced, excluding **any freight or labor fees that may be required.**

In addition, for the lifetime of the playset, Escalade Sports warrants, to the original retail purchaser, all wooden components against structural failure due to corrosion, wood rot, or insect infestation. **Seasonal checks and surface cracks, knotholes and knots, natural characteristics of all wooden play equipment, not resulting in structural failure, are not covered under this warranty.**

Timber is a natural material which can absorb and release moisture. Although this product is designed to minimize this effect, in certain circumstances some movement or distortion is unavoidable. During dry hot weather timber may shrink and check - this is a normal process of weathering. After the first year of service it is advisable to apply a non-toxic stain / sealant safe for children's use.

Components covered under this limited lifetime warranty will be replaced free of charge excluding freight and labor fees.

Non-residential use of the playset is prohibited and voids the warranty as the playsets are designed for residential use only.

Escalade Sports reserves the right to examine photographs and/or physical evidence of merchandise claimed to be defective, and to recover said merchandise, prior to disposition of warranty claims. Merchandise returned to our factory for examination or recovery must be shipped freight prepaid, unless a Return Authorization Number is issued.

No warranty is offered on equipment subjected to abuse, negligence, improper installation, vandalism, acts of God, unauthorized alteration or attachment to equipment other than our own, or improper use, service or repair by customer or any third party. Escalade Sports assumes no responsibility for incidental or consequential damages which may arise from the purchase or use of our equipment. Please supervise your children's play activity and maintain your play equipment periodically.

THIS WARRANTY IS EXPRESSLY IN LIEU OF ALL OTHER WARRANTIES, EXPRESSED OR IMPLIED, INCLUDING WARRANTIES OF MERCHANTABILITY OR FITNESS FOR USE. CHIDLIFE PLAYSETS DOES NOT ASSUME, OR AUTHORIZE ANY PERSON TO ASSUME FOR US, ANY OTHER LIABILITY IN CONNECTION WITH THE SALE OF OUR PRODUCTS.

For warranty service, contact:

Childlife Playsets
Escalade Sports
P.O. Box 889
Evansville, IN 47706
1-800-GO-SWING

Or E-Mail us at: playgroundcs@escaladesports.com

Revised 2014