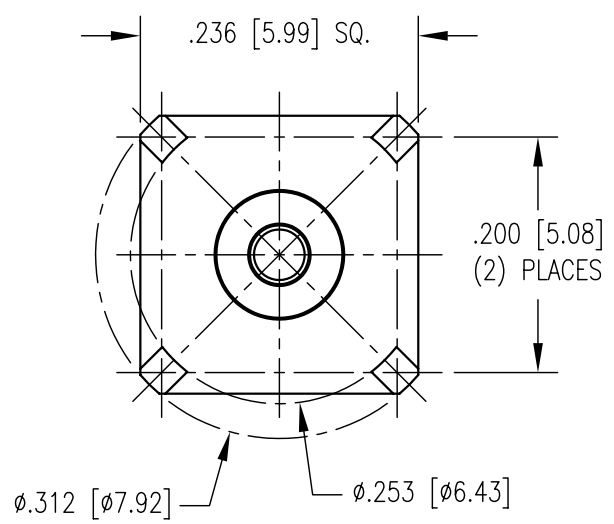
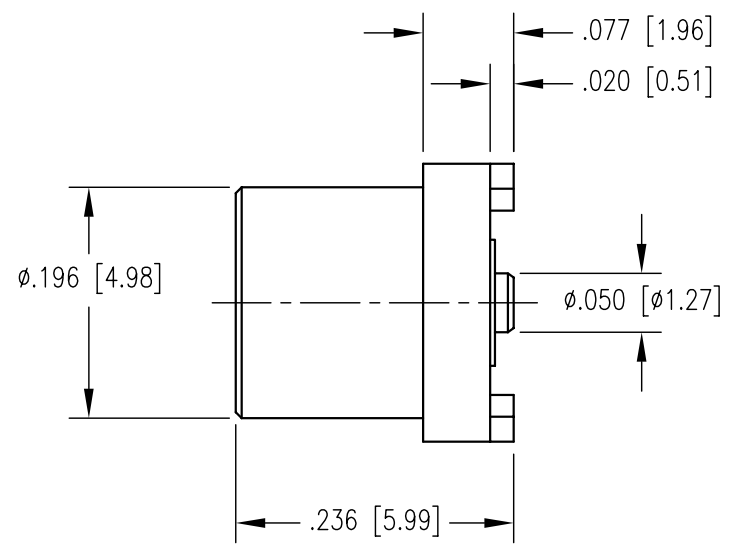
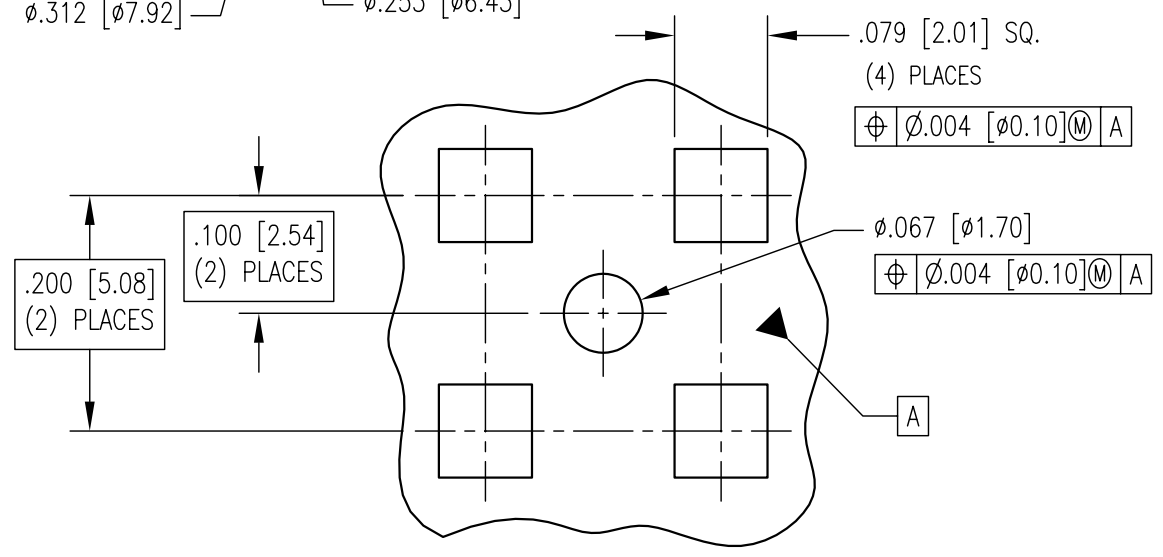


REV	DESCRIPTION	BY	DATE	APPD
E	ECR# 8186	JMC	04/07/97	KJT



PART No. 451-061-0040H SHOWN



RECOMMENDED SOLDERING PATTERN

NOTES:

- MATERIALS:
 BODY: BRASS PER ASTM B16
 CONTACT: COPPER ALLOY
 INSULATOR: TEFLON PER ASTM D1710
- FINISHES:
 BODY: .000015 MIN. GOLD PER MIL-G-45204
 OVER NICKEL PER QQ-N-290
 CONTACT: .000030 MIN. GOLD PER MIL-G-45204
 OVER NICKEL PER QQ-N-290
- ELECTRICAL:
 IMPEDANCE: 50 OHMS
 FREQUENCY RANGE: 0 TO 6.0 GHz

PER ASME Y14.5M-1994 UNLESS OTHERWISE SPECIFIED: DIMENSIONS ARE IN INCHES [MM] TOLERANCES: DECIMALS .XX ± .01 [0.254] .XXX ± .005 [0.127] ANGLES ± 2°		NORTHROP GRUMMAN Winchester Electronics 62 Barnes Industrial Road North Wallingford, CT 06492	
CUSTOMER DRAWING		TITLE MCX SURFACE MOUNT JACK	
DRAWN KJT	DATE 04/07/97	CHECKED JMC	DATE 04/07/97
APPROVED AT	DATE 04/07/97	APPROVED AT	DATE 04/07/97
A		SD451-061-0040H	SHT. 1 OF 1 REV. E