

SCHOOLHOUSE

Otis 2.25", Metal Bell Shade

Application: Surface Mount

Product Origin: Processed and assembled in Portland, Oregon using ethically-sourced domestic and global components.

UL Listed: Yes

Max Wattage: 100 W

Voltage: 120/220 V

Location Rating: Damp

Dimensions:

Width: 7"

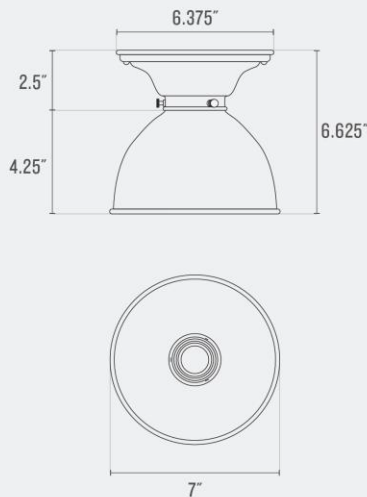
Depth: 7"

Canopy Width: 6.375"

Fitter Size: 2.25"

Materials: Brass, Steel

One year guarantee



Finish Options



True Black
(TB)



Polished Nickel
(PN)



Natural Brass
(NB)

Color Options



Black, Gloss
(BkG)



Persimmon
(RD)



Navy
(NV)



Polished Nickel
(PN)



Natural Brass
(NB)



White
(WT)



Sergeant Green
(SG)



True Black
(TB)



Satin Nickel
(SN)

SCHOOLHOUSE

Otis 2.25", Metal Dish Shade



Application: Surface Mount

Product Origin: Processed and assembled in Portland, Oregon using ethically-sourced domestic and global components.

UL Listed: Yes

Max Wattage: 100 W

Voltage: 120/220 V

Location Rating: Damp

Dimensions:

Width: 10"

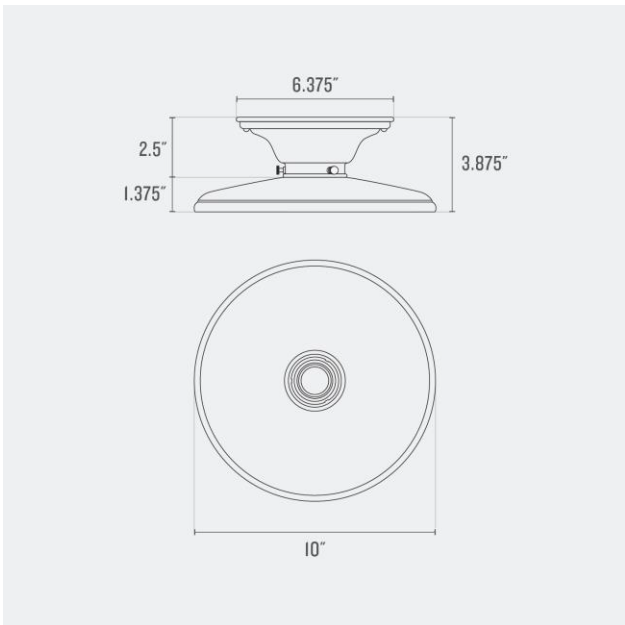
Depth: 10"

Canopy Width: 6.375"

Fitter Size: 2.25"

Materials: Brass, Steel

One year guarantee



Finish Options



Polished Nickel
(PN)



Natural Brass
(NB)



True Black
(TB)

Color Options



Black, Gloss
(BkG)



Persimmon
(RD)



Navy
(NV)



Natural Brass
(NB)



White
(WT)



Sergeant Green
(SG)



True Black
(TB)

SCHOOLHOUSE

Otis 2.25", Metal Slim Cone Shade



Application: Surface Mount

Product Origin: Processed and assembled in Portland, Oregon using ethically-sourced domestic and global components.

UL Listed: Yes

Max Wattage: 100 W

Voltage: 120/220 V

Location Rating: Damp

Dimensions:

Width: 7.25"

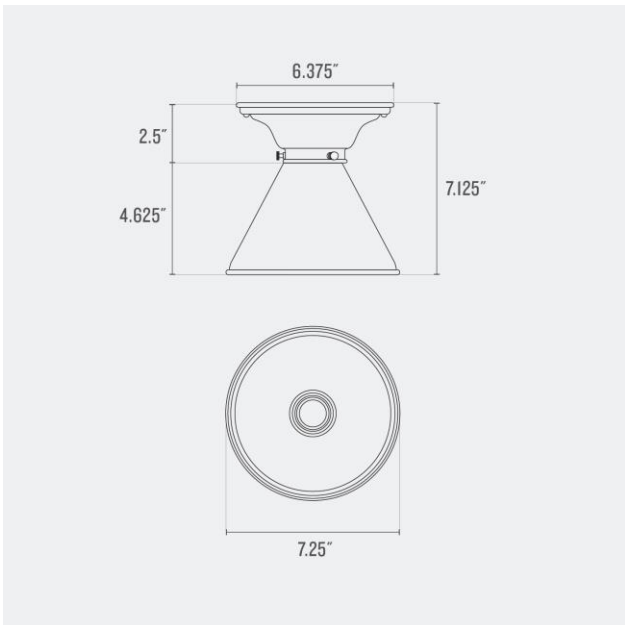
Depth: 7.25"

Canopy Width: 6.375"

Fitter Size: 2.25"

Materials: Brass, Steel

One year guarantee



Finish Options



Polished Nickel
(PN)



True Black
(TB)



Natural Brass
(NB)

Finish Options



True Black
(TB)



Natural Brass
(NB)

SCHOOLHOUSE

Otis 2.25", Open Globe Shade



Application: Surface Mount

Product Origin: Processed and assembled in Portland, Oregon using ethically-sourced domestic and global components.

UL Listed: Yes

Max Wattage: 100 W

Voltage: 120/220 V

Location Rating: Damp

Dimensions:

Width: 8"

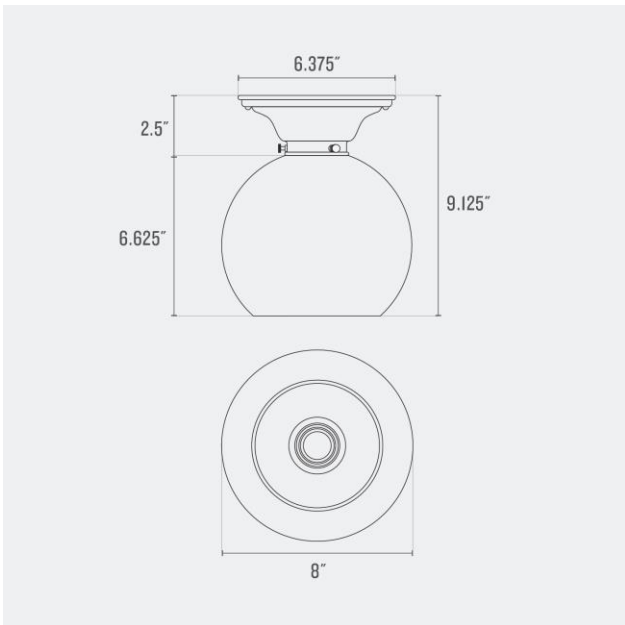
Depth: 8"

Canopy Width: 6.375"

Fitter Size: 2.25"

Materials: Brass, Glass

One year guarantee



Finish Options



Natural Brass
(NB)



True Black
(TB)



Polished Nickel
(PN)

Glass Options



Opal Glass
(OP)



Clear Glass
(CL)

SCHOOLHOUSE

Otis 2.25", Saucer Shade



Application: Surface Mount

Product Origin: Processed and assembled in Portland, Oregon using ethically-sourced domestic and global components.

UL Listed: Yes

Max Wattage: 100 W

Voltage: 120/220 V

Location Rating: Damp

Dimensions:

Width: 8.75"

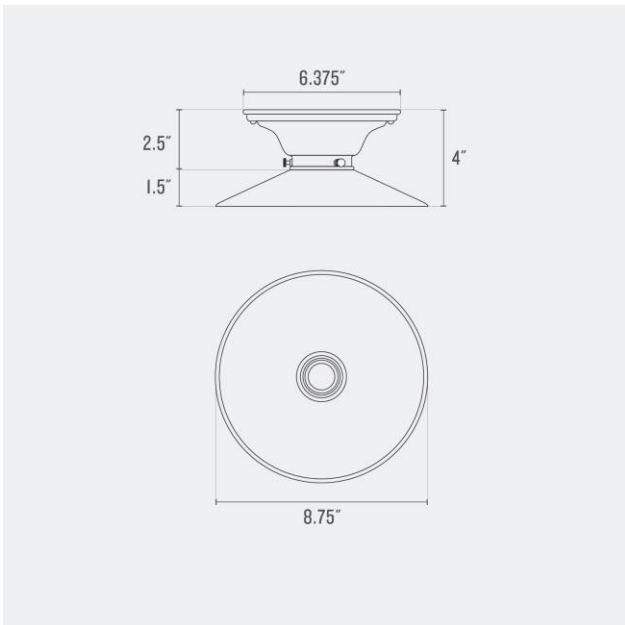
Depth: 8.75"

Canopy Width: 6.375"

Fitter Size: 2.25"

Materials: Brass, Glass

One year guarantee



Finish Options



Polished Nickel
(PN)



Natural Brass
(NB)



True Black
(TB)

Glass Options



Clear Glass
(CL)



Opal Glass
(OP)

SCHOOLHOUSE

Otis 2.25", Slim Cone Shade



Application: Surface Mount

Product Origin: Processed and assembled in Portland, Oregon using ethically-sourced domestic and global components.

UL Listed: Yes

Max Wattage: 100 W

Voltage: 120/220 V

Location Rating: Damp

Dimensions:

Width: 6.625"

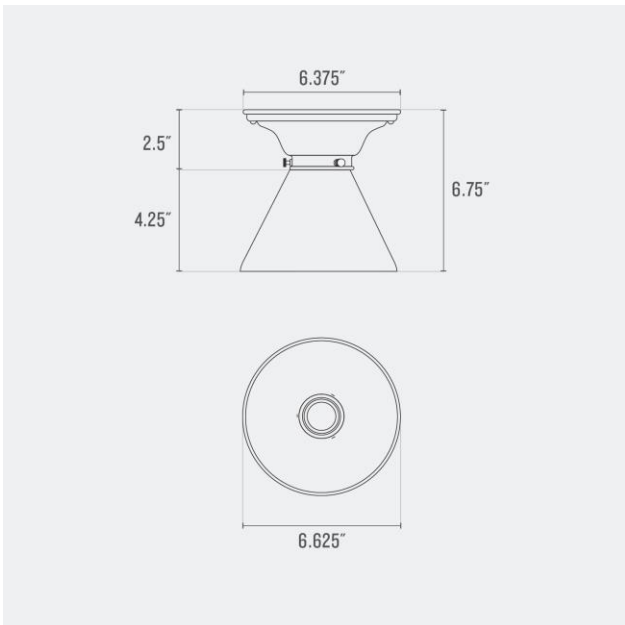
Depth: 6.625"

Canopy Width: 6.375"

Fitter Size: 2.25"

Materials: Brass, Glass

One year guarantee



Finish Options



Polished Nickel
(PN)



True Black
(TB)



Natural Brass
(NB)

Glass Options



Opal Glass
(OP)



Clear Glass
(CL)

SCHOOLHOUSE

Otis 2.25", Straight Bell Shade Shade

Application: Surface Mount

Product Origin: Processed and assembled in Portland, Oregon using ethically-sourced domestic and global components.

UL Listed: Yes

Max Wattage: 100 W

Voltage: 120/220 V

Location Rating: Damp

Dimensions:

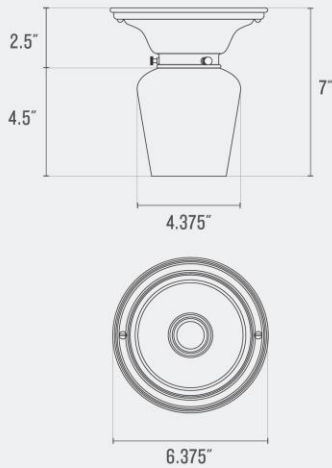
Width: 6.375"

Depth: 6.375"

Fitter Size: 2.25"

Materials: Brass, Glass

One year guarantee



Finish Options



True Black
(TB)



Polished Nickel
(PN)



Natural Brass
(NB)

Glass Options



Gray Bands
(GB)



Opal Glass
(OP)



Clear Glass
(CL)



Black Pinstripe
(BPS)

SCHOOLHOUSE

Otis 2.25", Wide Cone Shade



Application: Surface Mount

Product Origin: Processed and assembled in Portland, Oregon using ethically-sourced domestic and global components.

UL Listed: Yes

Max Wattage: 100 W

Voltage: 120/220 V

Location Rating: Damp

Dimensions:

Width: 9.5"

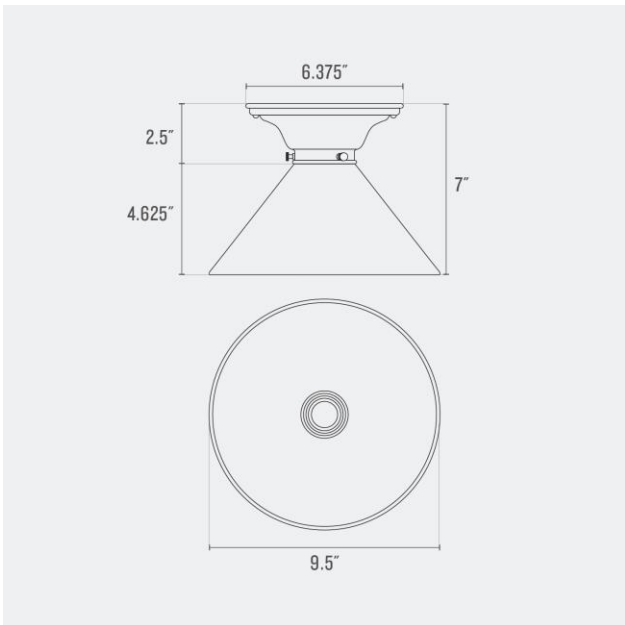
Depth: 9.5"

Canopy Width: 6.375"

Fitter Size: 2.25"

Materials: Brass, Glass

One year guarantee



Finish Options



True Black
(TB)



Polished Nickel
(PN)



Natural Brass
(NB)

Glass Options



Opal Glass
(OP)



Clear Glass
(CL)