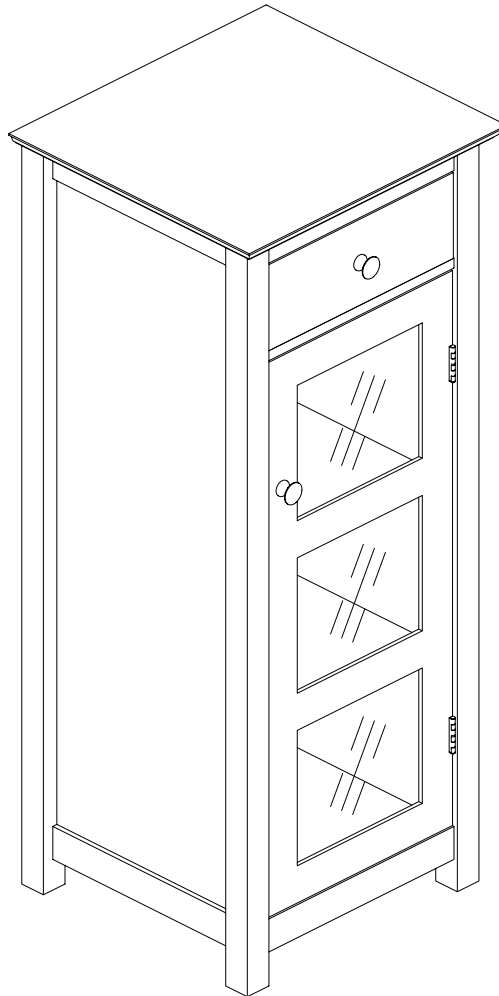


# Assembly Instructions

## Floor Cabinet With 1 Door & 1 Drawer



Please provide the following information when contacting for parts or questions: the name of the company you purchased from, the tracking number of the original package, and the original order date.

We offer free replacements for 1 year (purchase verification required). This replacement policy does not cover used/previously returned product or products sold by unauthorized third party vendors.

### ASSEMBLY INSTRUCTIONS - IMPORTANT

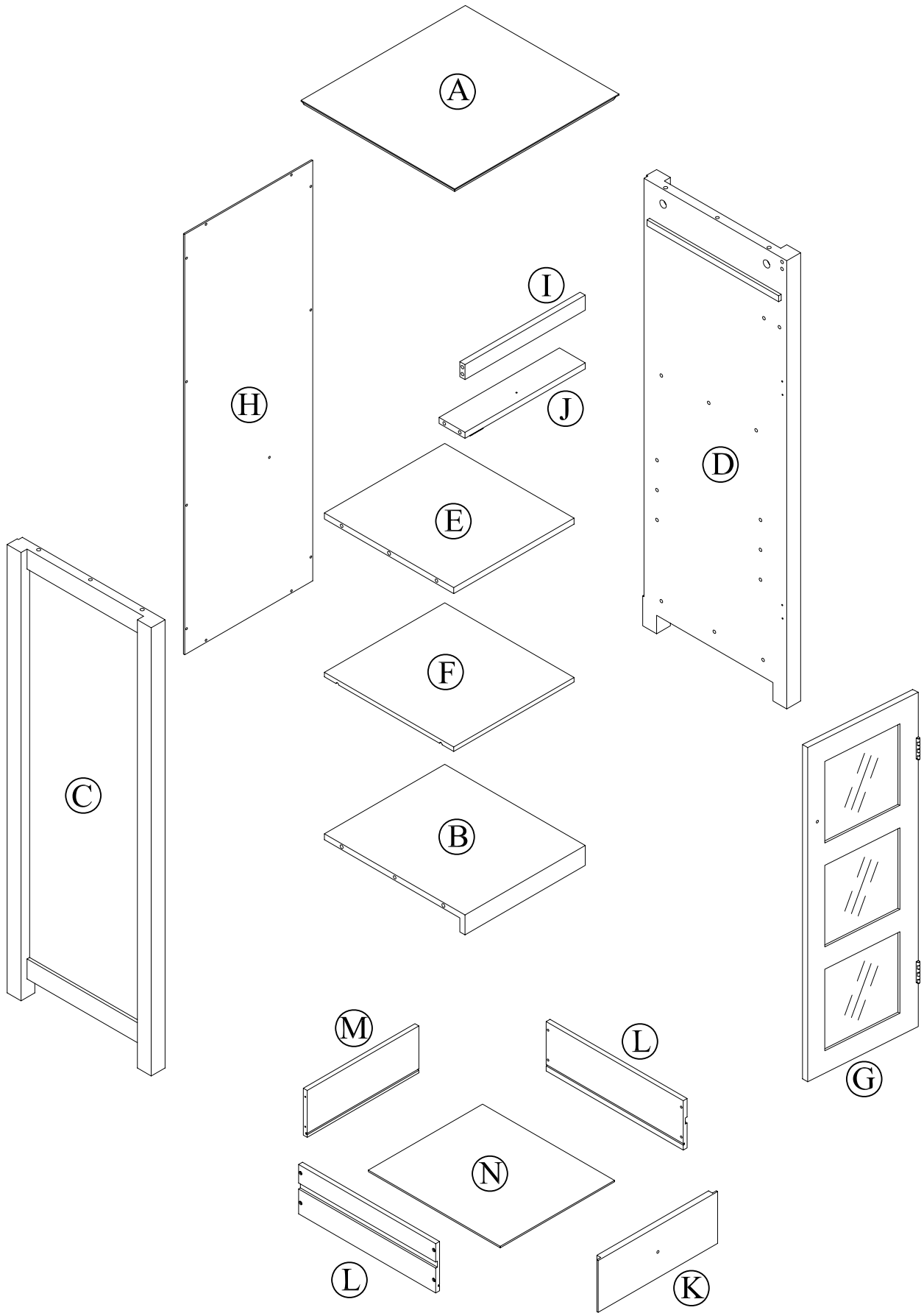
Carefully unpack & identify each component before attempting to assemble. Refer to parts list. Please take care when assembling the unit and always set the parts on a clean, soft surface. If you require any assistance with assembly, parts, please call the company you place order with or please email to: [service@eleganthf.net](mailto:service@eleganthf.net).

### INSTRUCCIONES PARA ARMAR - IMPORTANTE :

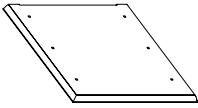
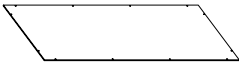
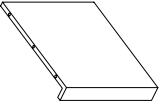

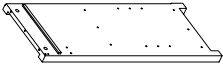
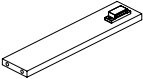
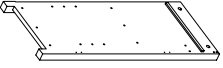
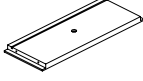

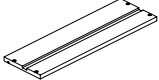


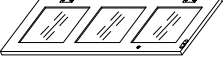
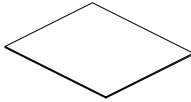
Desempaque cuidadosamente e identifique cada componente antes de tratar de empezar su ensambladura. Verifique la lista de partes. Por favor tenga cuidado cuando arme la unidad y siempre coloque las piezas sobre una superficie plana, suave y limpia. Si necesita ayuda con el armado, envíe un correo electrónico a [service@eleganthf.net](mailto:service@eleganthf.net).

### DIRECTIVES DE MONTAGE-IMPORTANT:


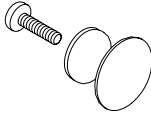





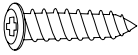
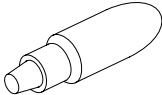
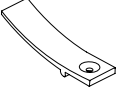
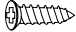
Avant de commencer l'assemblage, déballez délicatement toutes les pièces et repérez-les sur la liste des pièces. Procédez avec soins durant l'assemblage et posez toujours les pièces sur une surface propre, douce et lisse. Si vous préférez e-mail à [service@eleganthf.net](mailto:service@eleganthf.net).



# COMPONENTS

PART	FIGURE	DESCRIPTION	QTY	PART	FIGURE	DESCRIPTION	QTY
A		TOP SHELF	1PC	H		REAR PANEL	1PC
B		BOTTOM SHELF	1PC	I		UPPER FRONT RAIL	1PC
C		SIDE PANEL-LEFT	1PC	J		LOWER FRONT RAIL	1PC
D		SIDE PANEL-RIGHT	1PC	K		FRONT DRAWER BOARD	1PC
E		FIXED LEVEL SHELF	1PC	L		SIDE DRAWER BOARD	2PCS
F		ADJUSTABLE SHELF	1PC	M		REAR DRAWER BOARD	1PC
G		DOOR	1PC	N		BOTTOM DRAWER BOARD	1PC

# HARDWARE & TOOLS

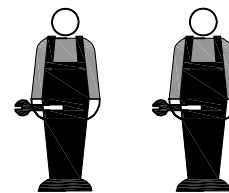
PART	FIGURE	DESCRIPTION	QTY	PART	FIGURE	DESCRIPTION	QTY
1		WOODEN DOWEL	16PCS	7		KNOB & BOLT	2SETS
2		PIN	10PCS	8	 ø3*10 mm	SCREW	12PCS
3		CAM LOCK	10PCS	9		SHELF PIN	4PCS
4		CAM LOCK CAP	10PCS	10	 ø3*19 mm	SCREW	8PCS
5		GLUE	1PC	11		DRAWER STOPPER PLATE	1PC
6	 ø3*12 mm	SCREW	5PCS				

## TOOL NEEDED:

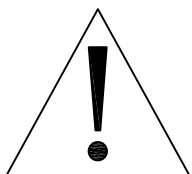


**PHILIPS SCREWDRIVER REQUIRED  
- NOT INCLUDED**

## SUGGESTION:



**TWO PEOPLE FOR ASSEMBLING**

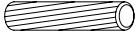


## WARNINGS:

1. DO NOT LET ANY SHARP OBJECTS TOUCH OR RUB THE SURFACE OF THE PRODUCT.
2. WHEN ASSEMBLING, DO NOT LET CHILDREN PLAY AROUND THE WORKING AREA.
3. PLEASE CONFIRM ALL PARTS ARE CORRECT BEFORE STARTING THE ASSEMBLY PROCESS.
4. DO NOT TIGHTEN ALL BOLTS AND SCREWS COMPLETELY UNTIL THE ENTIRE UNIT HAS BEEN ASSEMBLED AND SET UP.

# 1

1



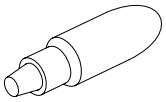
7pcs

2



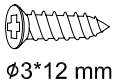
3pcs

5



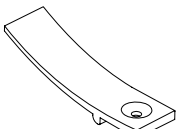
1pc

6

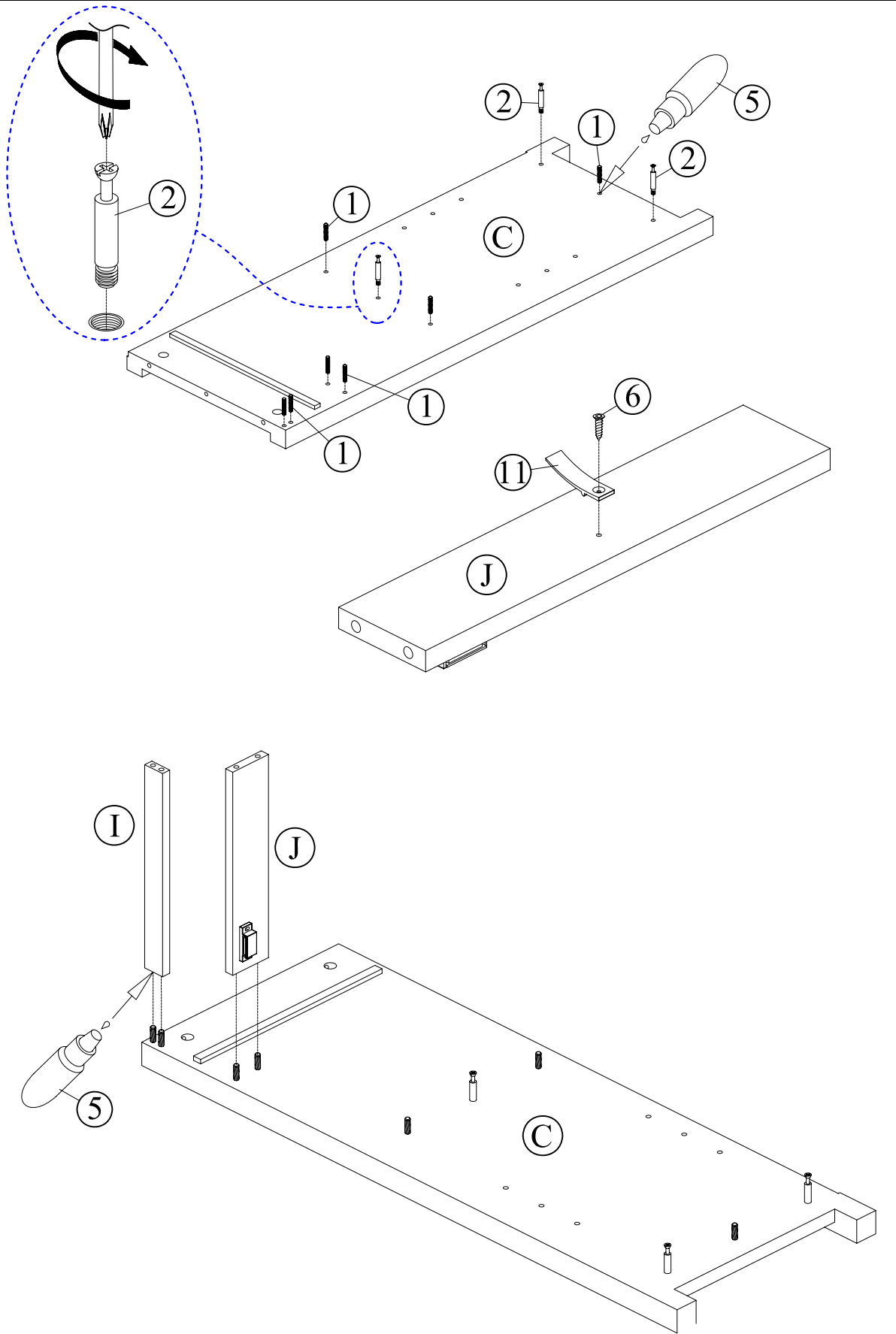


1pc

11



1pc



### STEP 1:

1. Fill dowel hole half way with Glue #5.  
Wooden Dowel #1 may push out excess glue-wipe off excess glue.
2. Insert the Wooden Dowel #1 and the Pin #2 into the hole on the Side Panel-Left C, tighten the Pin #2.
3. Install the Drawer Stopper Plate #11 onto the Lower Front Rail J with the Screw #6, tighten the Screw #6.
4. Connect the Upper Front Rail I and the Lower Front Rail J to the Side Panel-Left C with the Wooden Dowel #1.

# 2

3

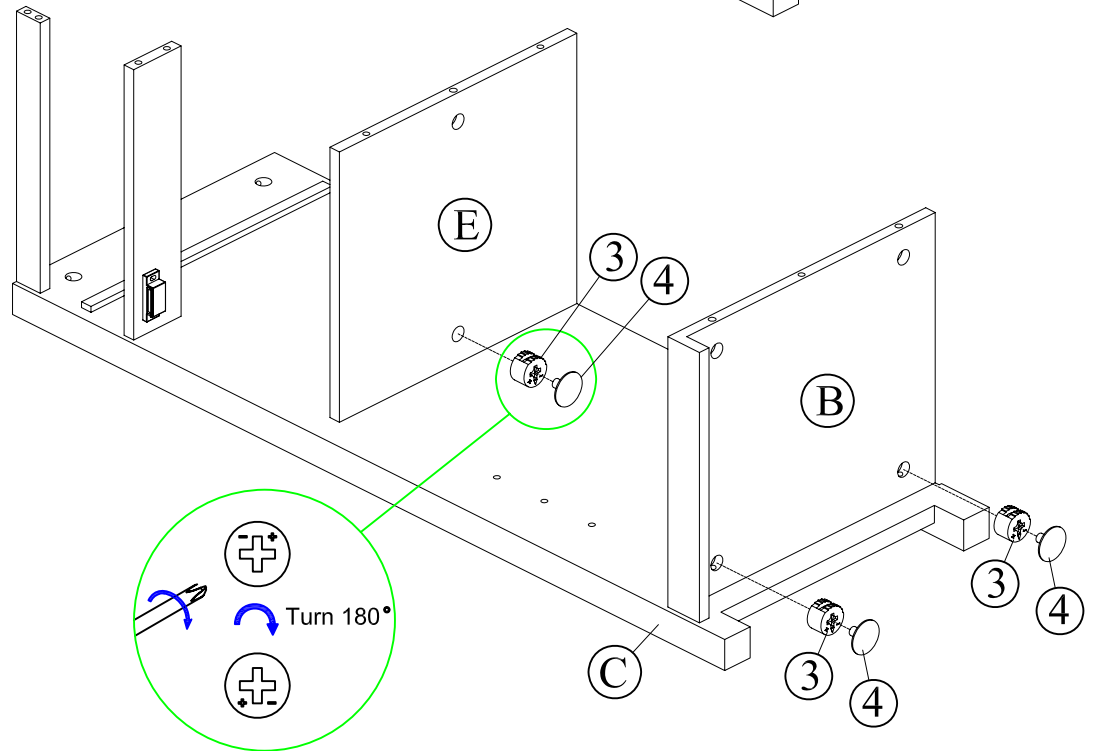
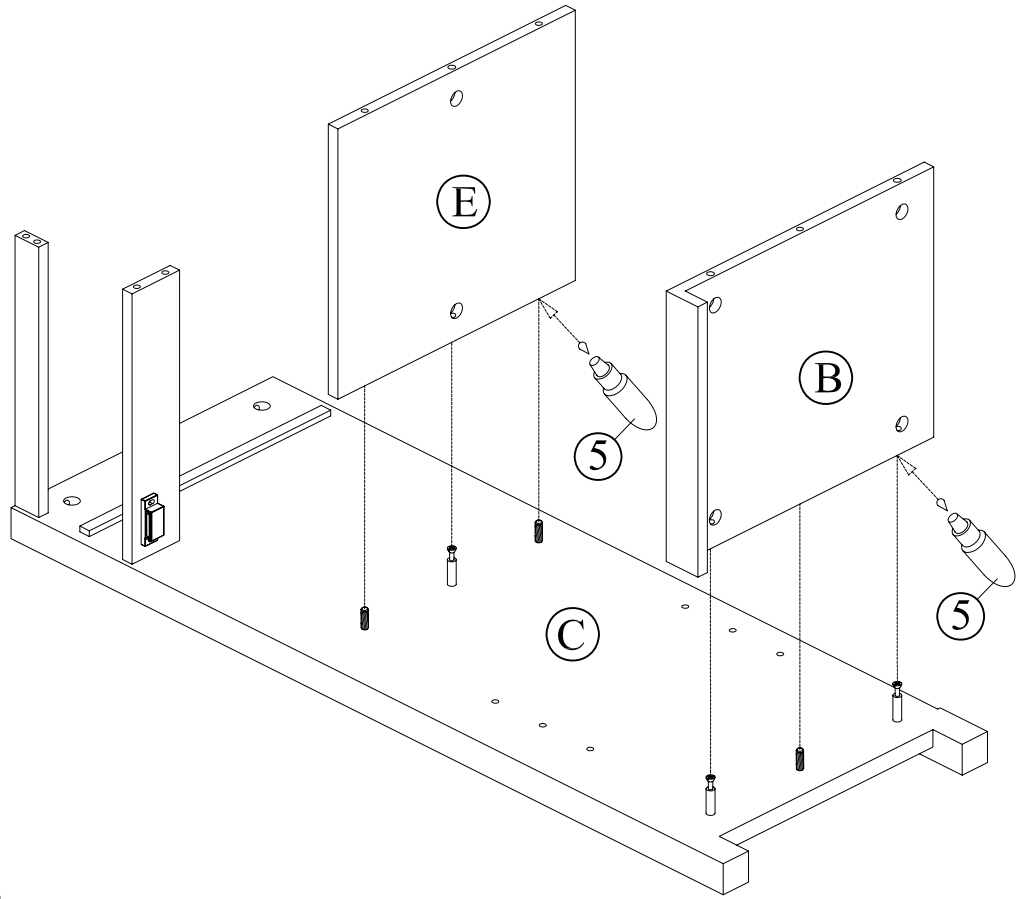


3pcs

4



3pcs



## STEP 2:

1. Fill dowel hole half way with Glue #5.  
Wooden Dowel #1 may push out excess glue-wipe off excess glue.
2. Connect the Fixed Level Shelf E and the Bottom Shelf B to the Side Panel-Left C with the Wooden Dowel #1 and the Pin #2.
3. Insert the Cam Lock #3 into the hole on the Fixed Level Shelf E and the Bottom Shelf B, Tighten the Cam Lock #3 to the Pin #2, insert the Cam Lock Cap #4 when finish.

# 3

1

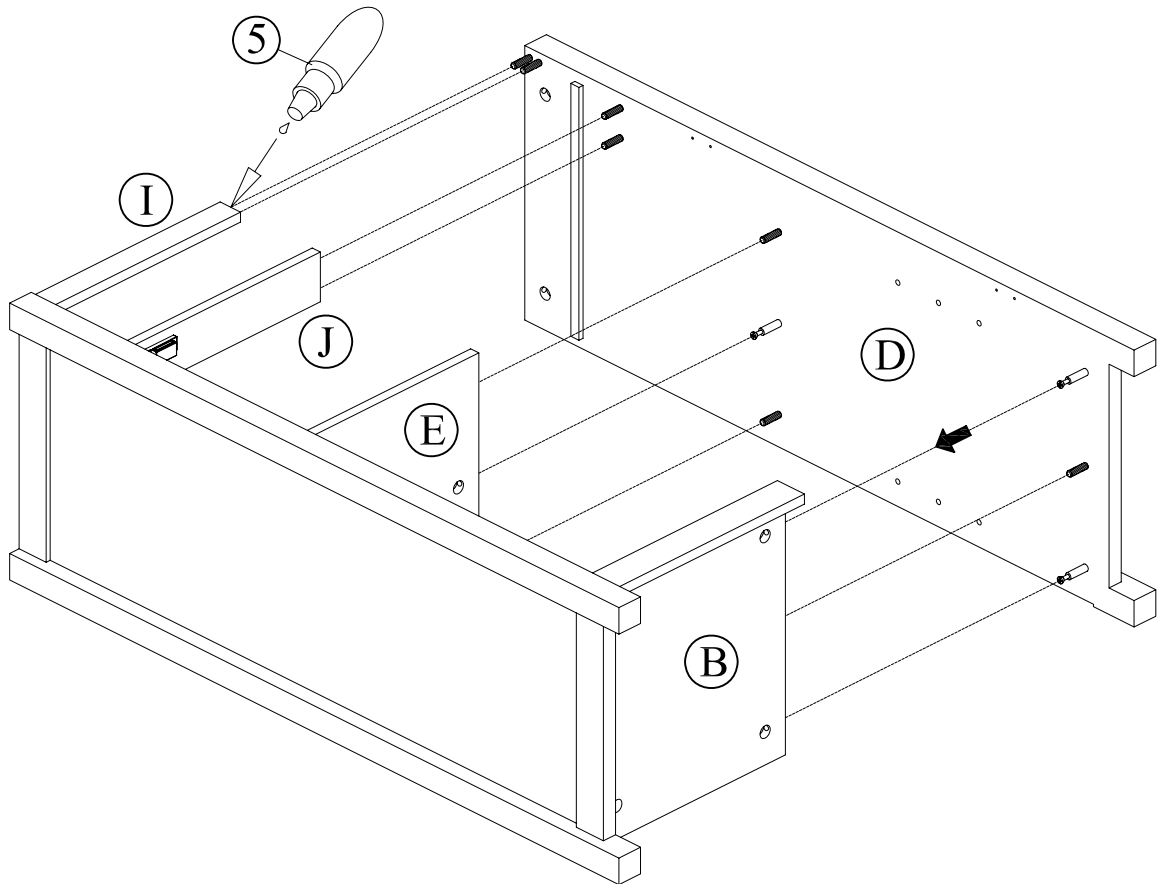
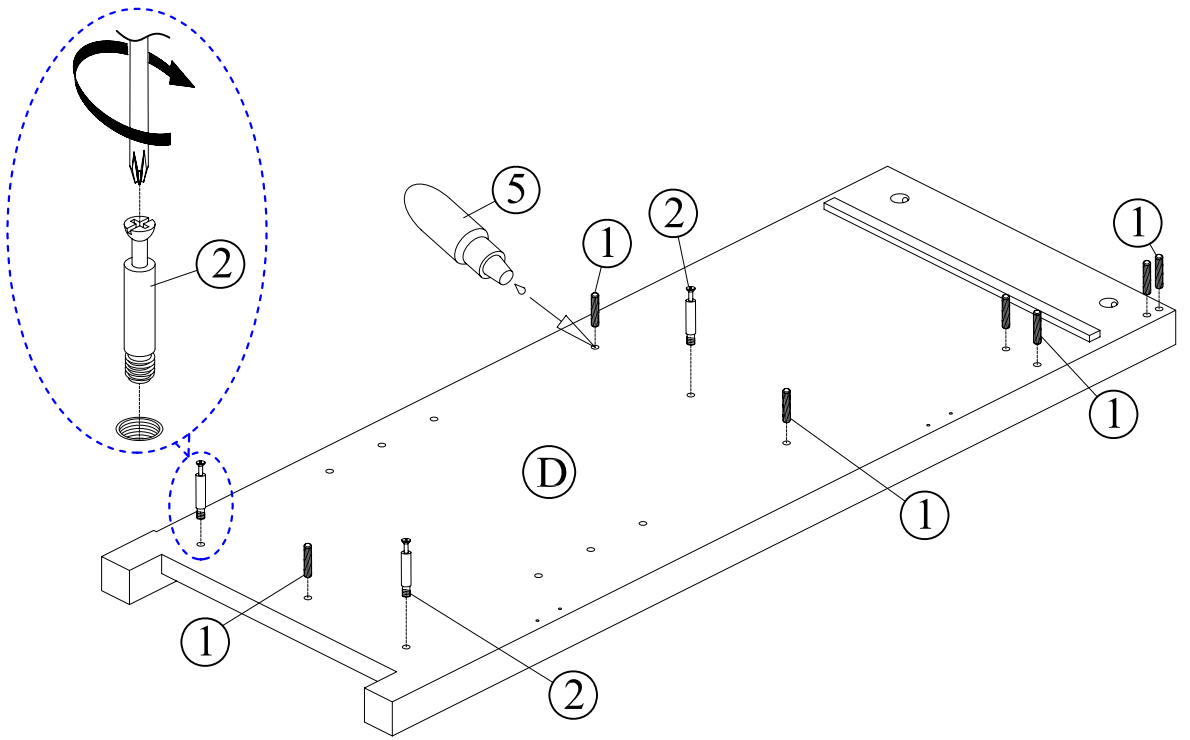


7pcs

2



3pcs

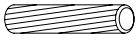


### STEP 3:

1. Fill dowel hole half way with Glue #5.  
Wooden Dowel #1 may push out excess glue-wipe off excess glue.
2. Insert the Wooden Dowel #1 and the Pin #2 into the hole on the Side Panel-Right D, tighten the Pin #2.
3. Connect the Side Panel-Right D to the Upper Front Rail I and the Lower Front Rail J and the Fixed Level Shelf E and the Bottom Shelf B with the Wooden Dowel #1 and the Pin #2.

# 4

1



2pcs

2



4pcs

3

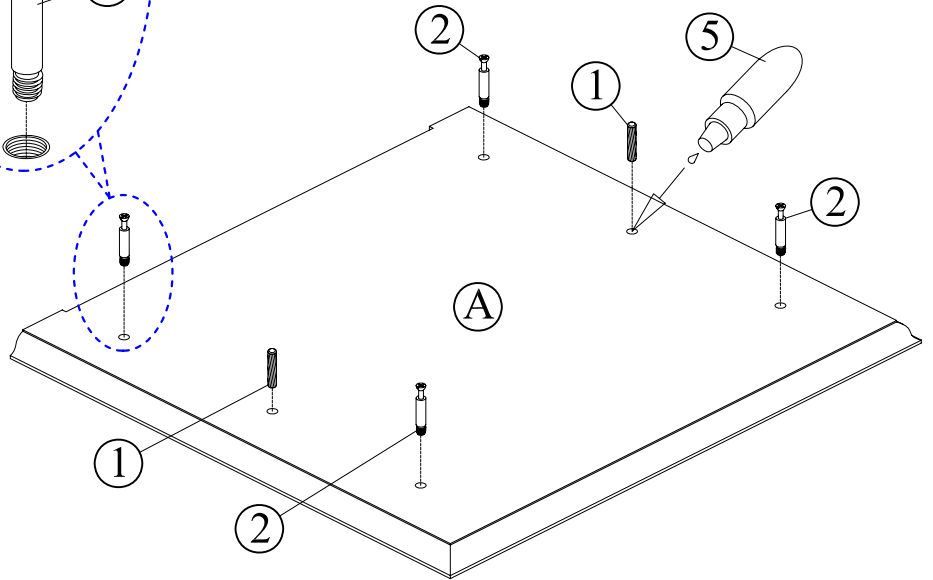
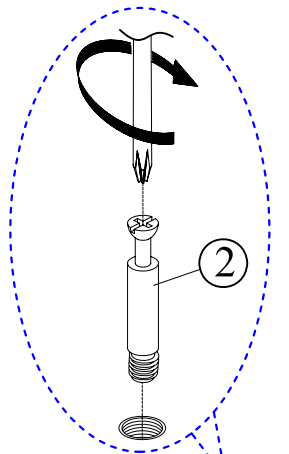
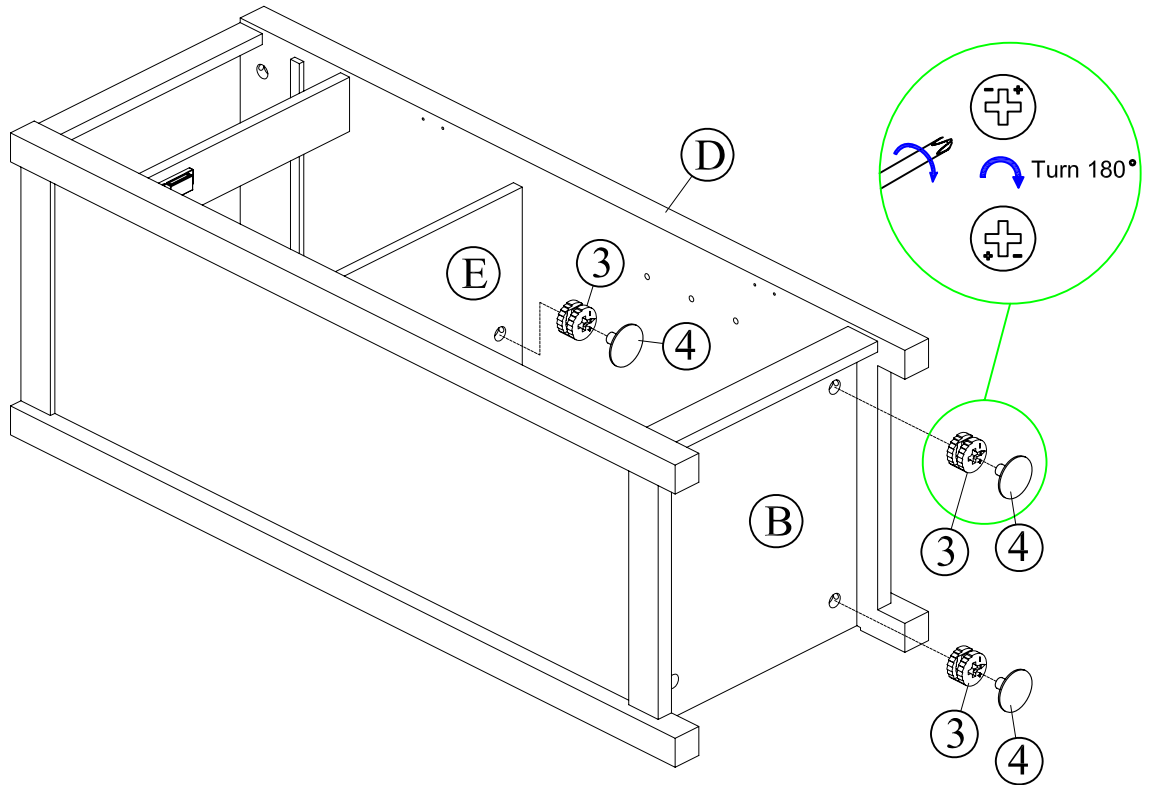


3pcs

4



3pcs



## STEP 4:

1. Insert the Cam Lock #3 into the hole on the Fixed Level Shelf E and the Bottom Shelf B, Tighten the Cam Lock #3 to the Pin #2, insert the Cam Lock Cap #4 when finish.
2. Fill dowel hole half way with Glue #5.  
Wooden Dowel #1 may push out excess glue-wipe off excess glue.
3. Insert the Wooden Dowel #1 and the Pin #2 into the hole on the Top Shelf A, tighten the Pin #2.



# 5

3

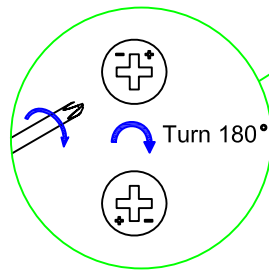
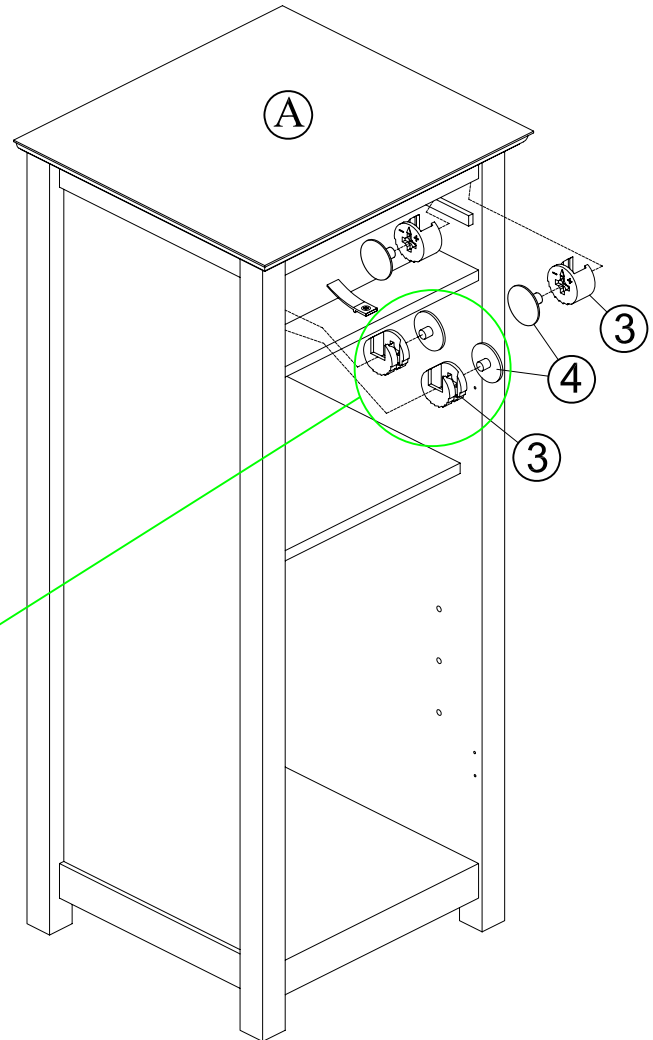
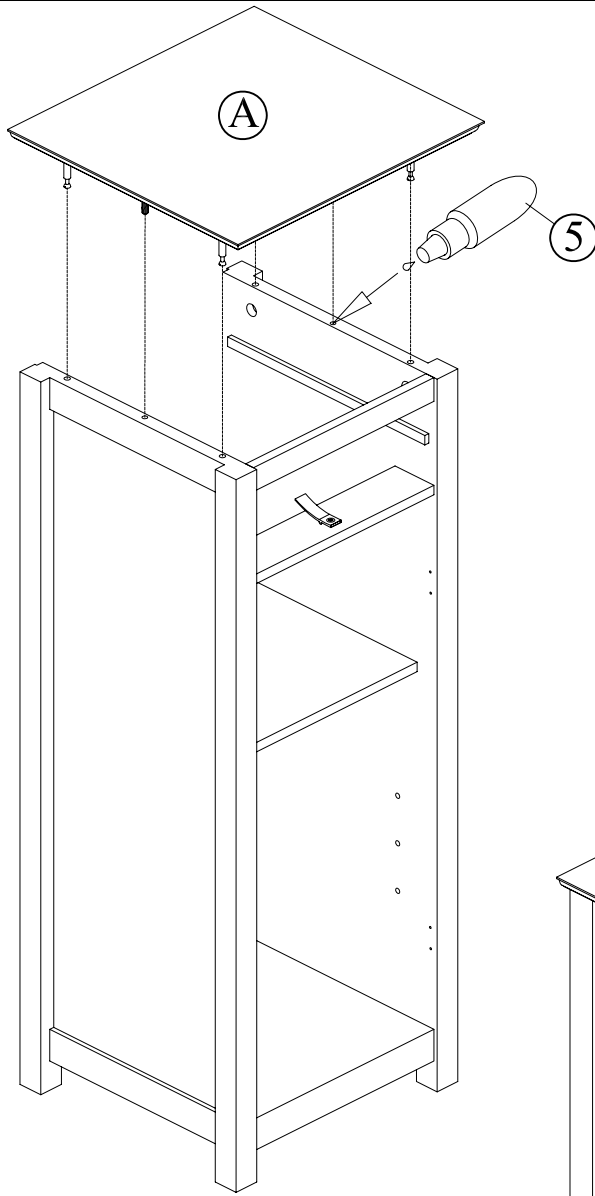


4pcs

4



4pcs

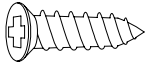


### STEP 5:

1. Fill dowel hole half way with Glue #5.  
Wooden Dowel #1 may push out excess glue-wipe off excess glue.
2. Connect the Top Shelf A to the Side Panel-Left C and the Side Panel-Right D with the Wooden Dowel #1 and the Pin #2.
3. Insert the Cam Lock #3 into the hole on the Side Panel-Left C and the Side Panel-Right D. Tighten the Cam Lock #3 to the Pin #2, insert the Cam Lock Cap #4 when finish.

# 6

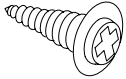
6



ø3\*12 mm

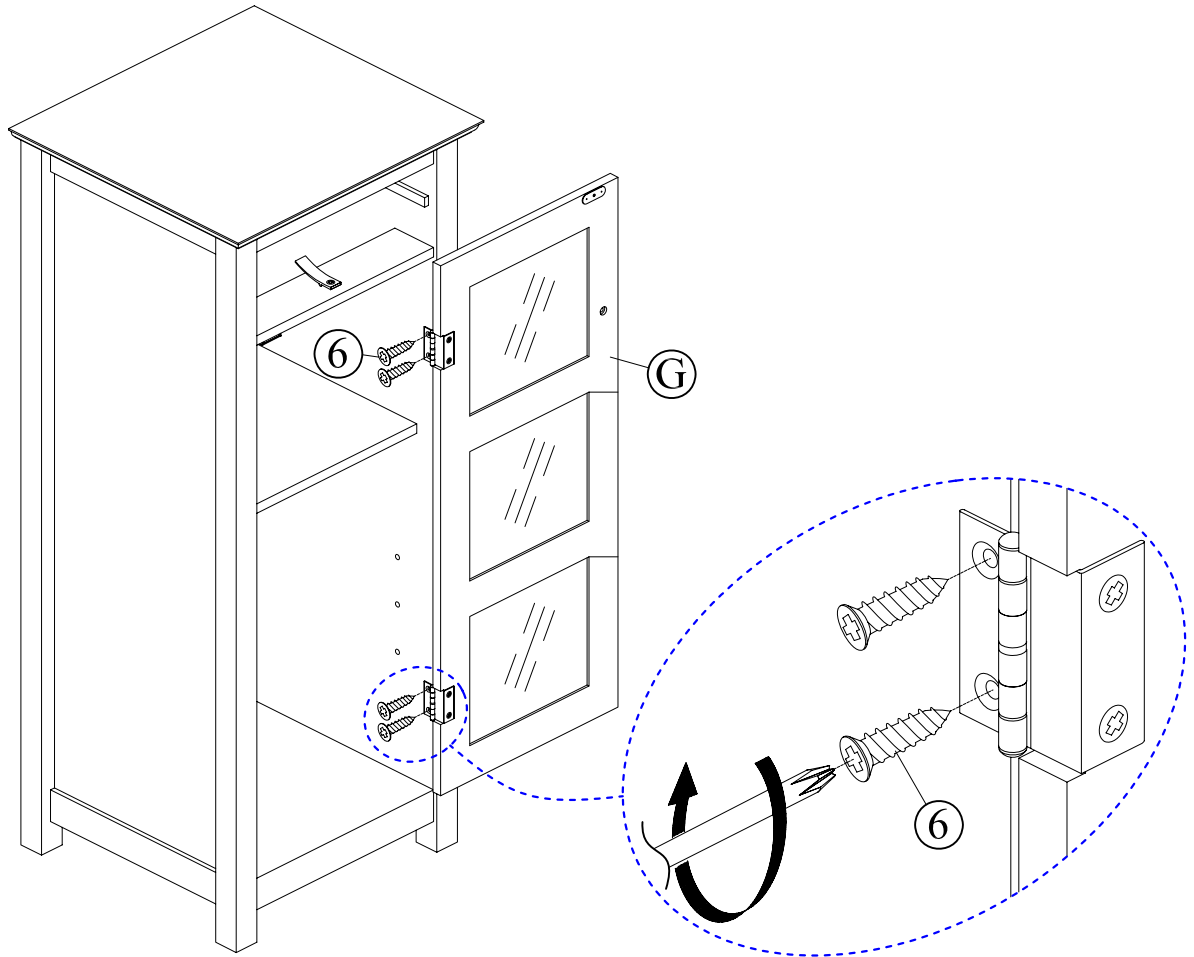
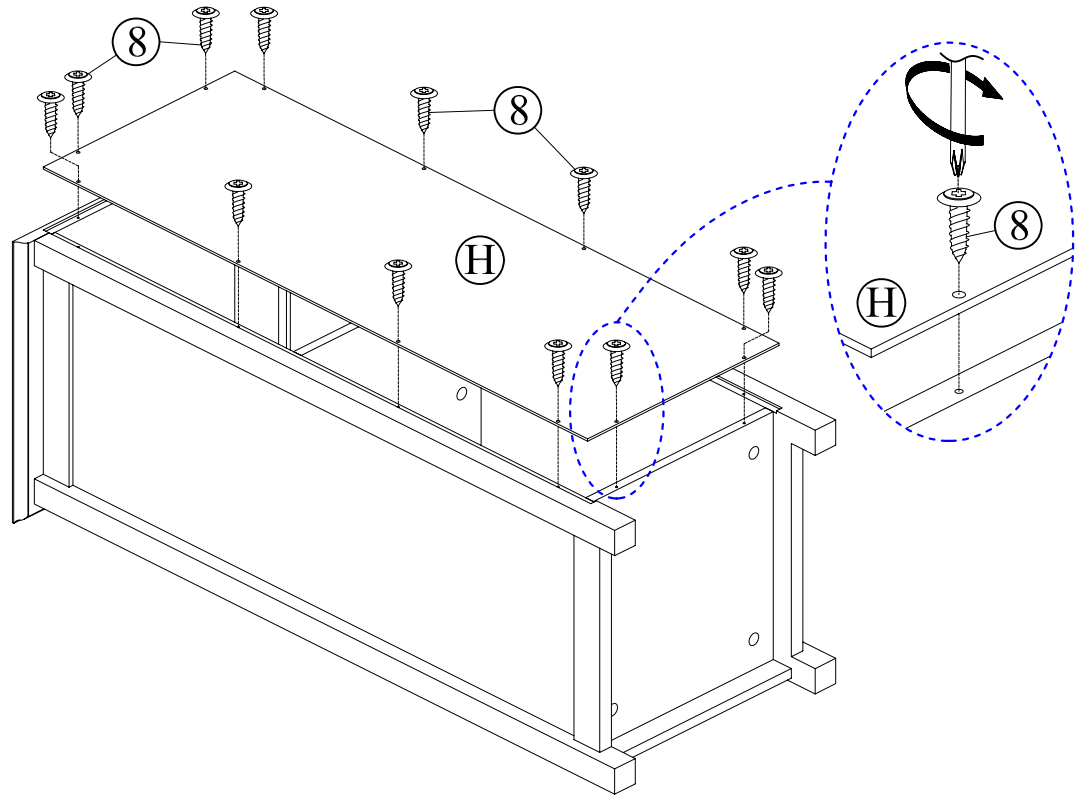
4pcs

8



ø3\*12 mm

12pcs

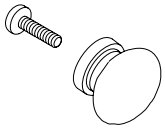


### STEP 6:

1. Connect the Rear Panel H and the main body with the Screw #8, tighten the Screw #8.
2. Connect the Door G and the Side Panel-Right D with the Screw #6, and pass through the hole on the hinge, then tighten the Screw #6.

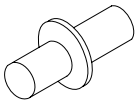
# 7

7

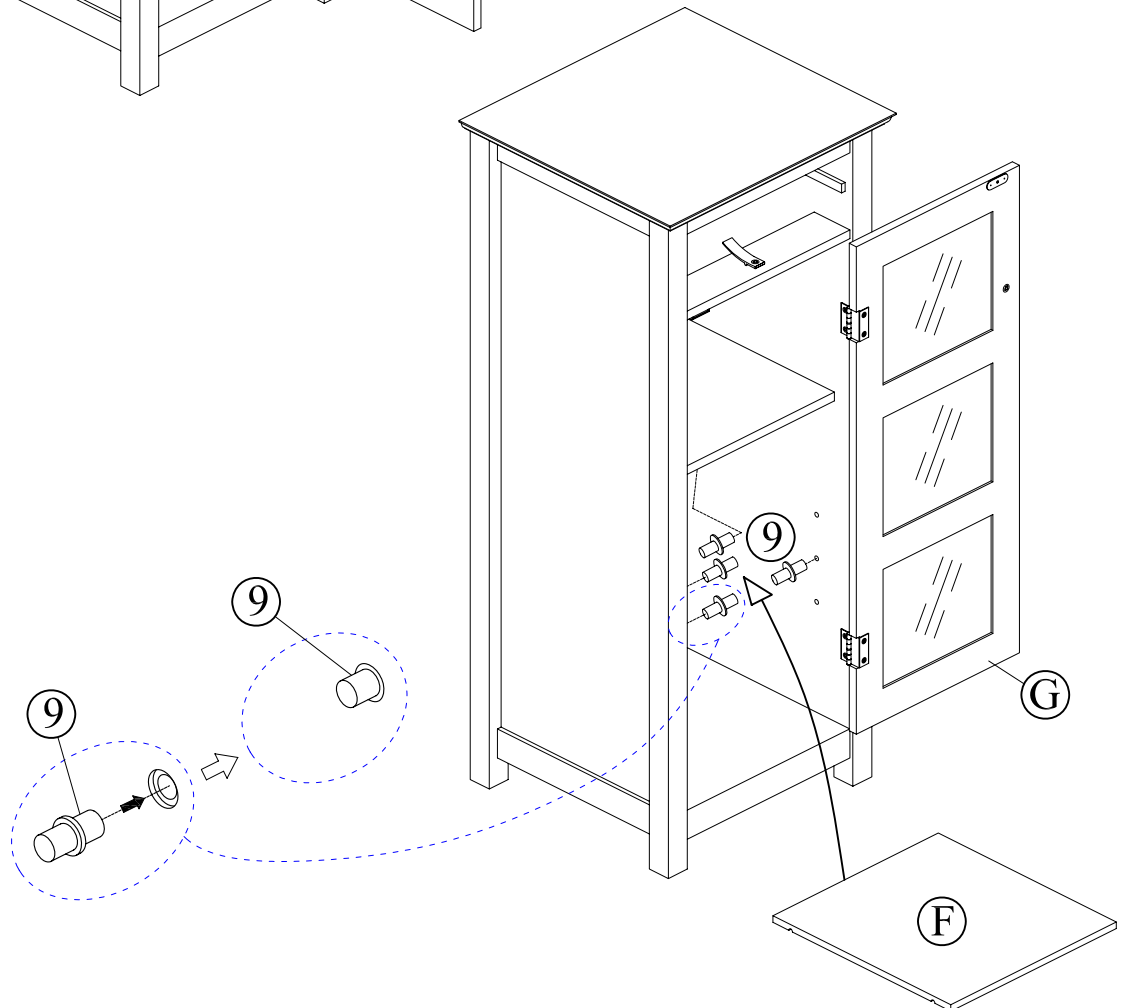
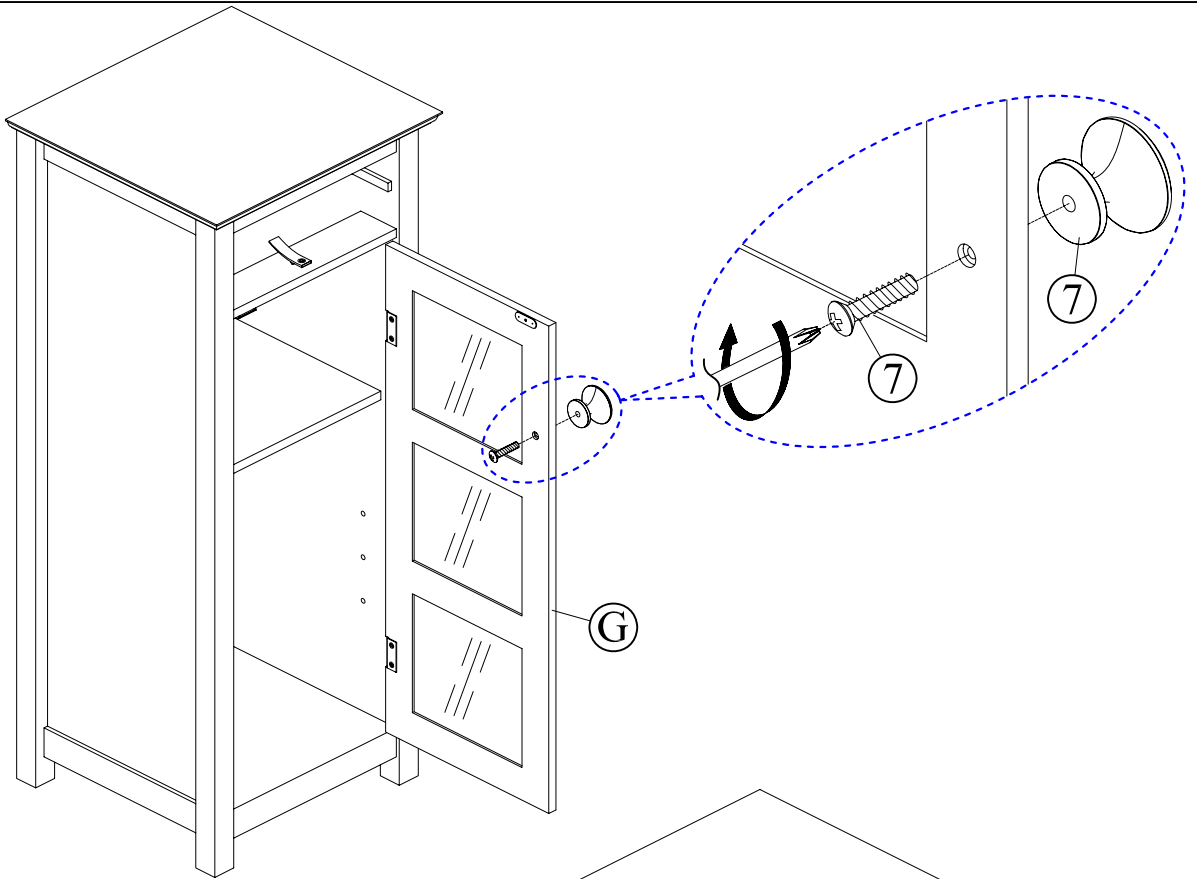


1SET

9



4pcs

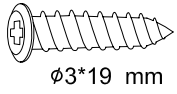


### STEP 7:

1. Attach the Knob #7 to the Door G with the Bolt #7, then tighten the Bolt #7.
2. Insert the Shelf Pin #9 into the hole on the Side Panel-Right D.
3. Place the Adjustable Shelf F on the Shelf Pin #9.

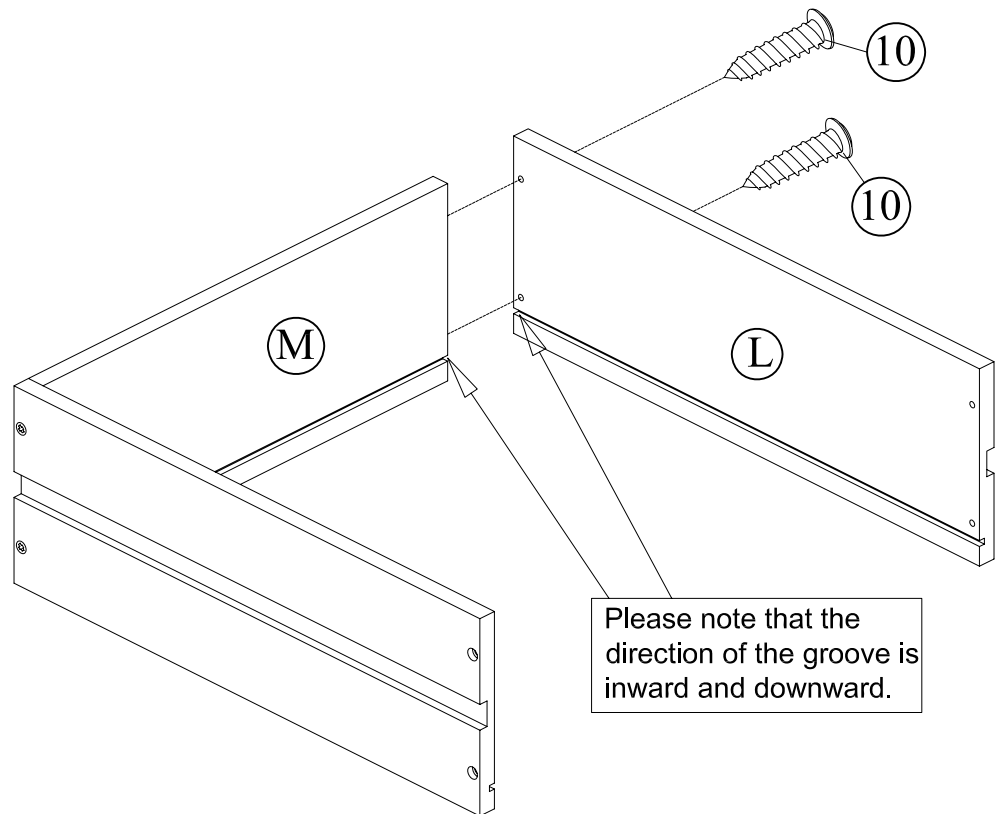
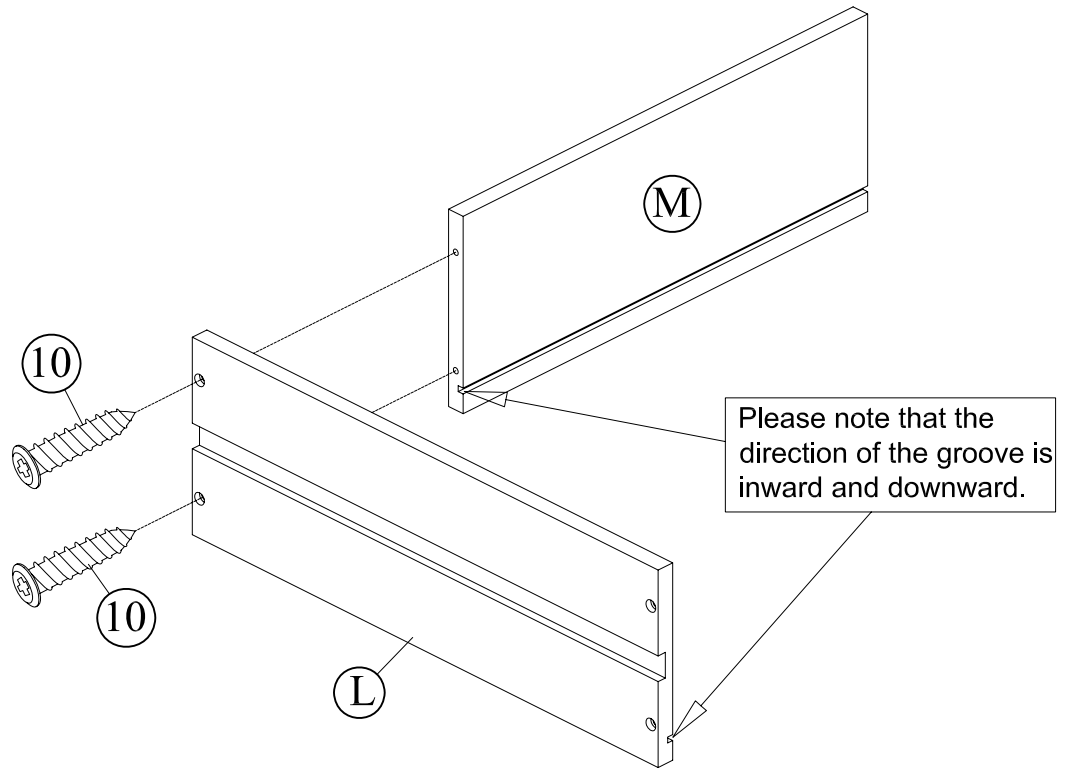
# 8

10



Ø3\*19 mm

4pcs

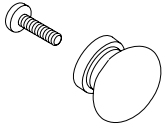


### STEP 8:

1. Connect the Real Drawer Board M and the Side Drawer Board L with the Screw #10. and insert the Screw #10 into the hole on the Real Drawer Board M ,and pass through the hole on the Side Drawer Board L .And note that the direction of the groove is inward and downward, as shown in the figure above.

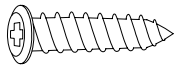
# 9

7



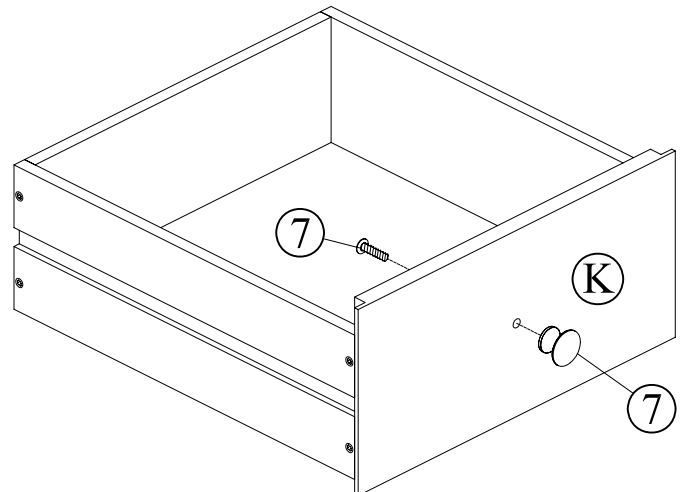
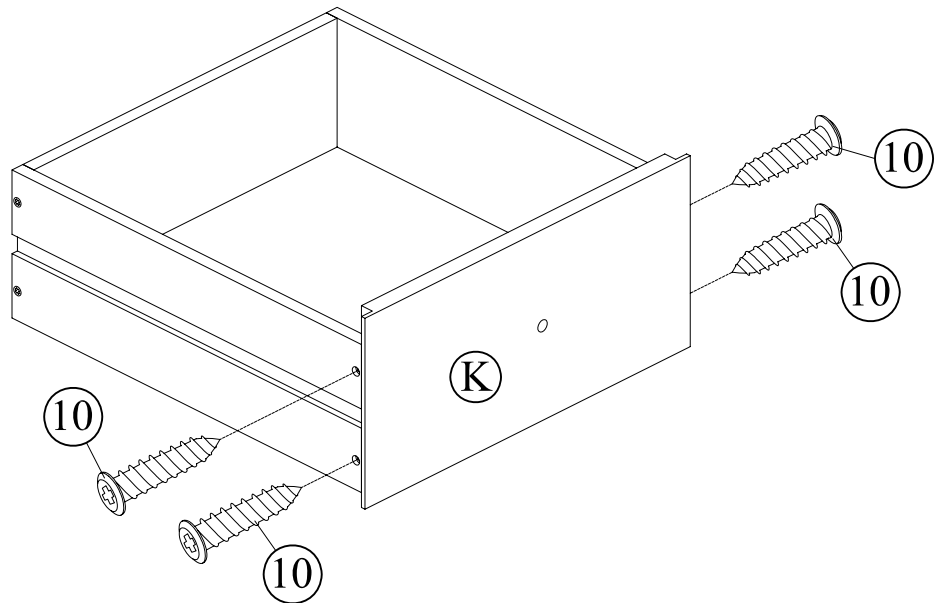
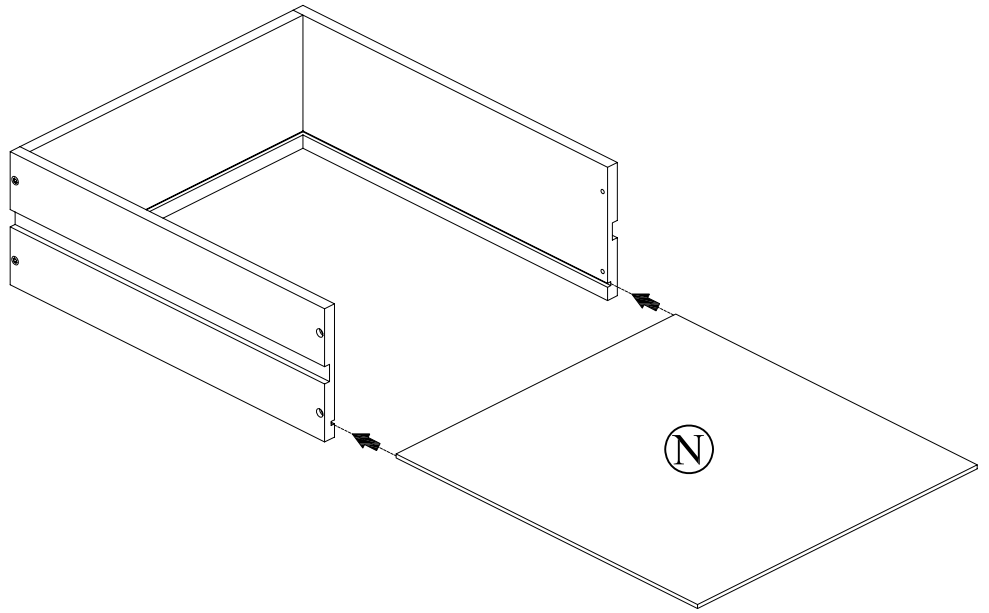
1SET

10



ø3\*19 mm

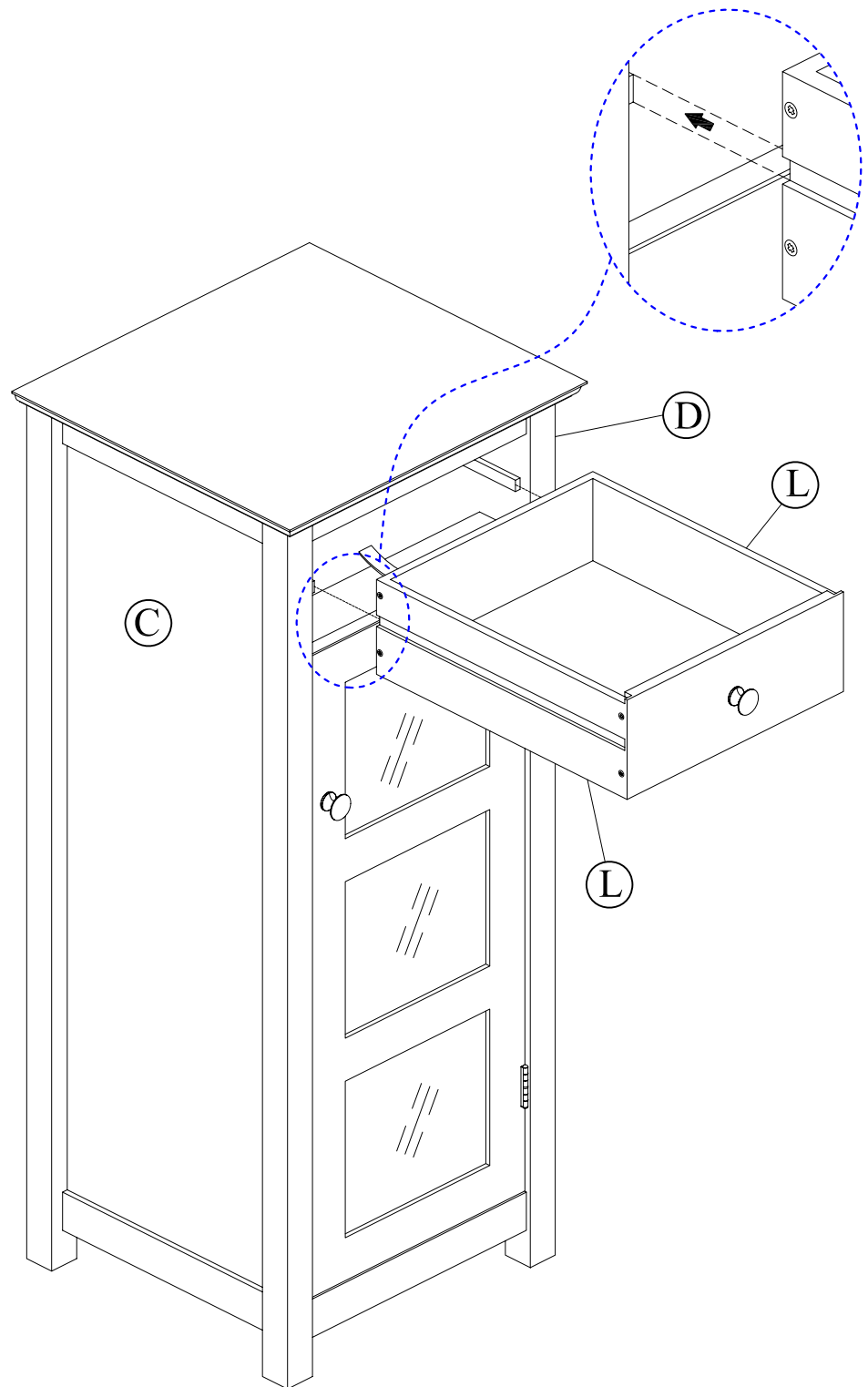
4pcs



### STEP 9:

1. Insert the Bottom Drawer Board N to the groove of the Side Drawer Board L and the Rear Drawer Board M.
2. Relyed the Front Drawer Board K on the Side Drawer Board L ,and the Bottom Drawer Board N shall be embedded into the groove of the Front Drawer Board K.
3. Insert the Screw #10 into the hole on the Side Drawer Board L,then tighten the Screw #10.
4. Attach the Knob #7 to the Front Drawer Board K with the Bolt #7,then tighten the Bolt #7.

# 10



## STEP 10:

1. The groove of the Side Drawer Board L aim to the convex strip on the Side Panel-Left C and the Side Panel-Right D.
2. Insert the drawer into the main body.

California Proposition 65 Warning

WARNING: This product may contain chemicals known to the state of California to cause cancer, and birth defects or other reproductive harm.

ADVERTENCIA: Este producto puede contener sustancias químicas conocidas en el estado de California como causantes de cáncer, defectos de nacimiento u otros daños reproductivos.

For more information:  
<https://oehha.ca.gov/proposition-65>