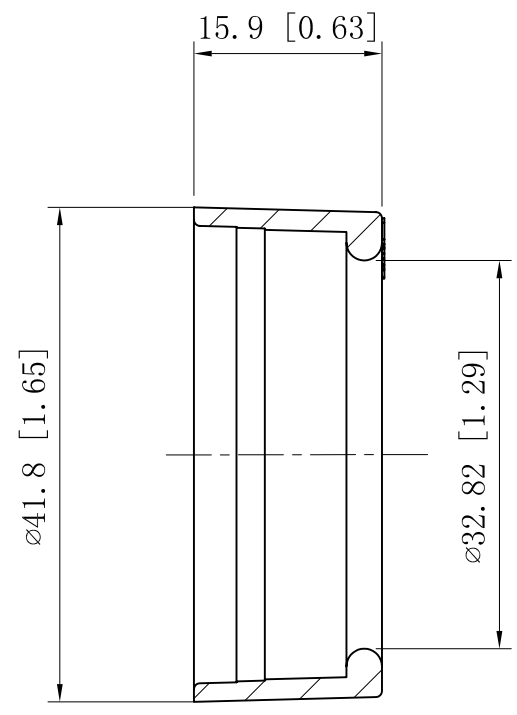
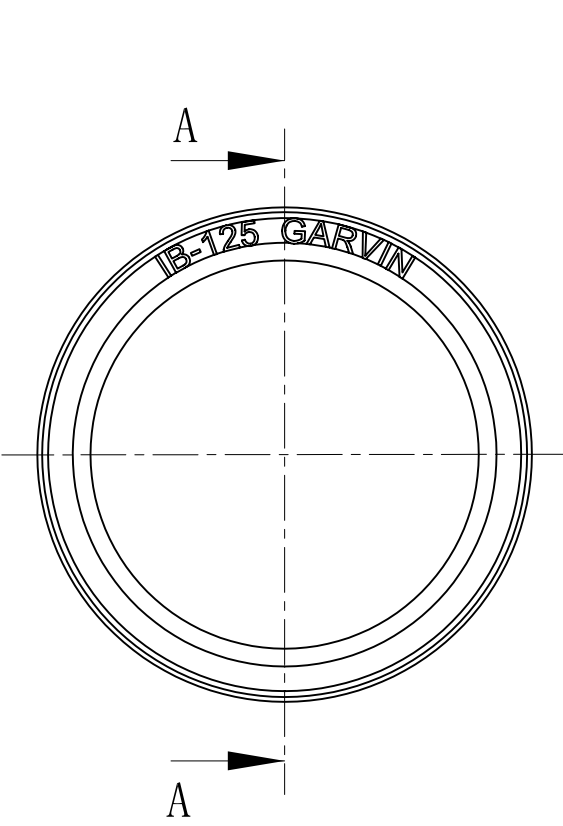
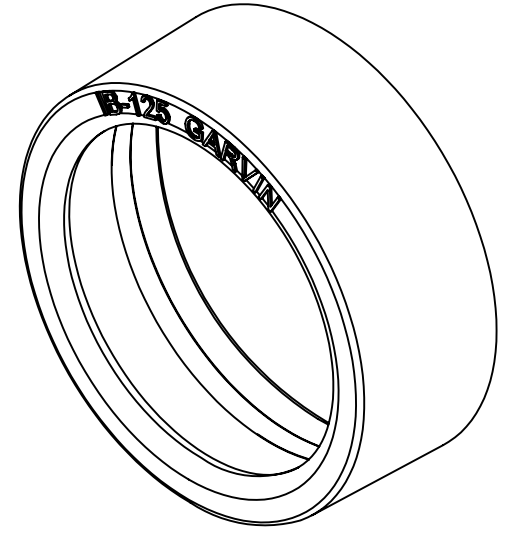


| | |
|---------------------|--------|
| SIDES | BOTTOM |
| | |
| | |
| | |
| Material:Plastic-PP | |



VIEW A-A



| |
|-----------------------|
| DESCRIPTION |
| |
| TRADE REFERENCE TERMS |
| |

This data sheet is for reference only .GARVIN INDUSTRIES reserves the right to make changes to the design without prior notice.

| | | | | |
|------------------|--|------|---------|-----|
| STANDARD PACKING | <h1 style="text-align: center;">GARVIN INDUSTRIES</h1> <h2 style="text-align: center;">EMT INSULATING BUSHING</h2> | | | |
| 25/250 PCS | | | | |
| | TITLE | SIZE | DWG NO. | REV |
| | | A4 | IB-125 | |
| | DATA SHEET | | | |