

# ASSEMBLY INSTRUCTIONS

## MONACO TRAY TABLE

x2

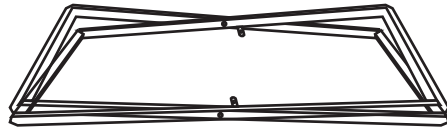


ALLEN SCREW

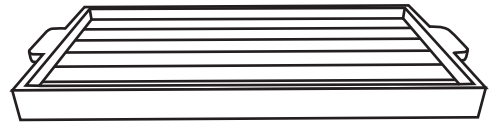
x1



ALLEN KEY

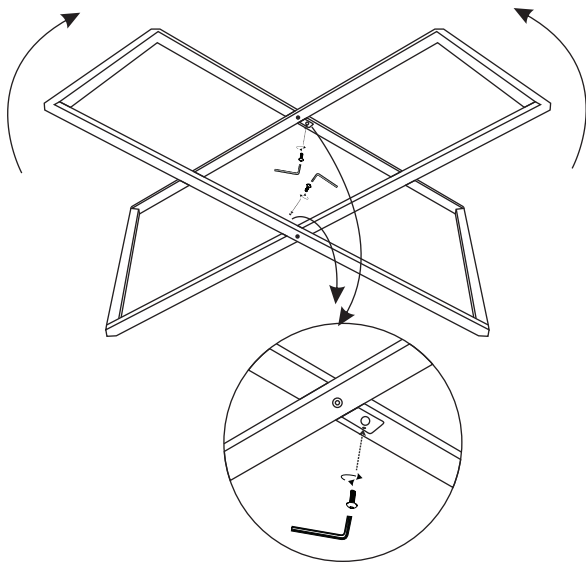


1 PC METAL STAND



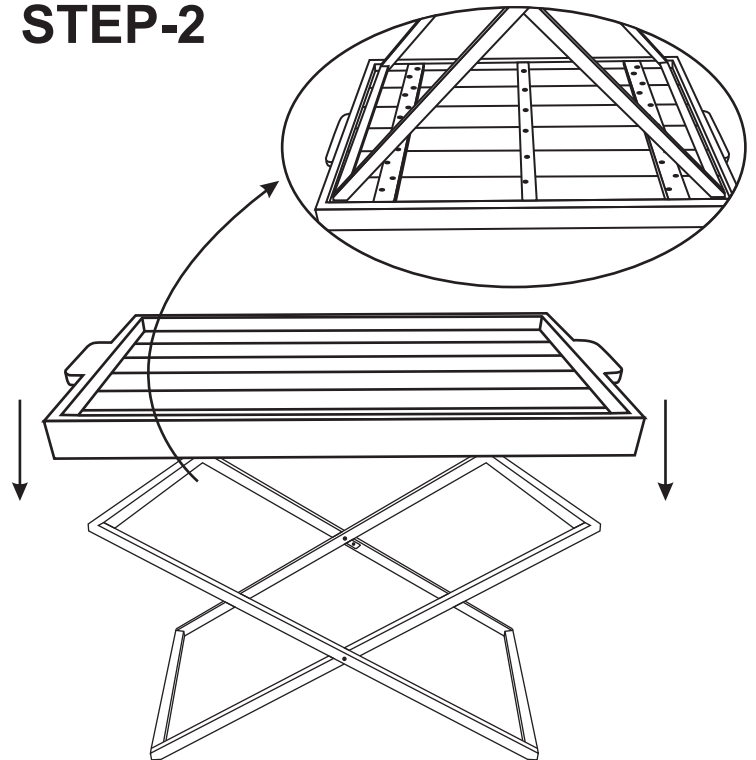
1 PC WOOD TRAY TOP

### STEP-1



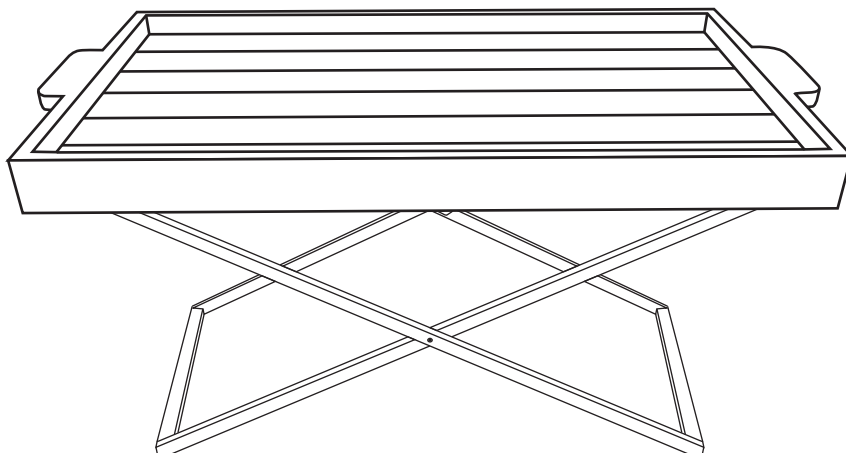
Unfold the stand and secure with help of Allen screw as shown.

### STEP-2

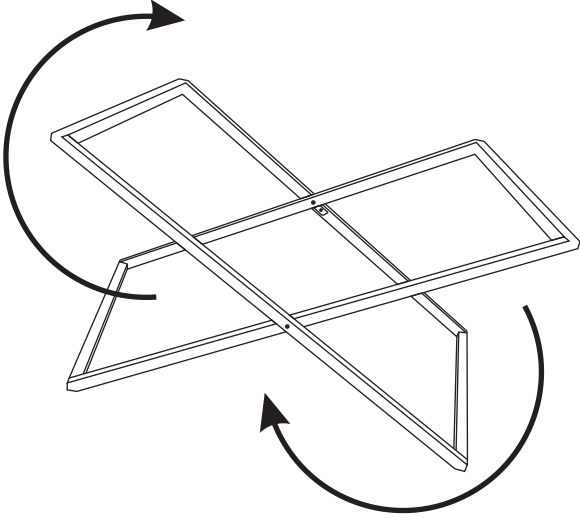


Place tray top on the stand as shown.

**READY TO USE**  
(FOR COFFEE TABLE HEIGHT )

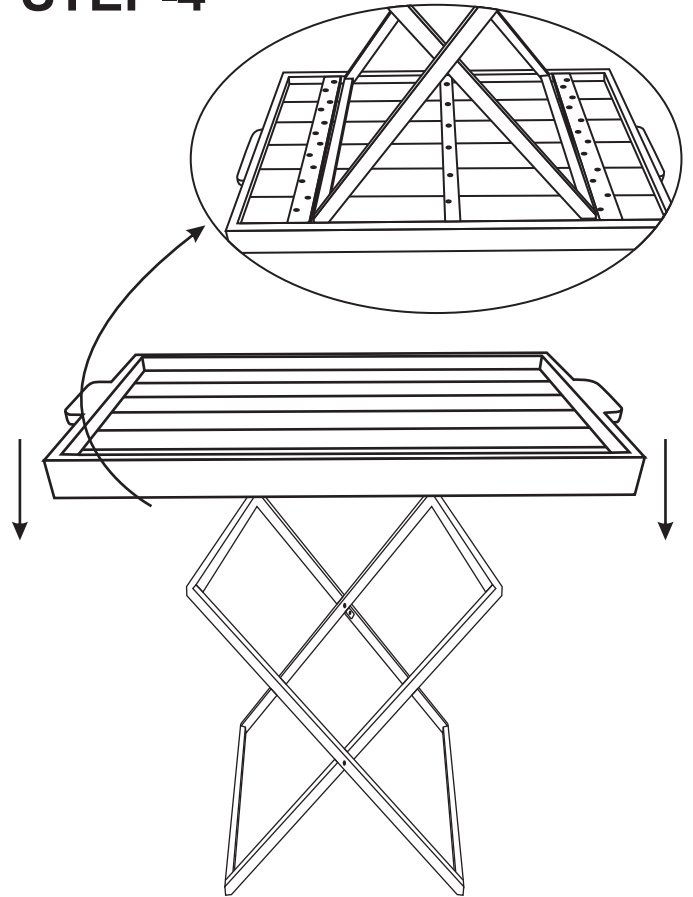


### STEP-3



Rotate the stand as shown for serving height .

### STEP-4



Place tray top on the stand as shown.

### READY TO USE (FOR SERVING HEIGHT )

