

Versatile™ Slide Bar

FEATURES:

- Slide Bar measures 30" in length
- Brass construction with plastic slider and metal flanges
- Hand shower holder allows the angle to be adjusted
- Hand shower holder slides up and down the bar
- Hand shower not included
- Corrosion resistant finishes
- Mounting hardware is included

STOCK FINISH:

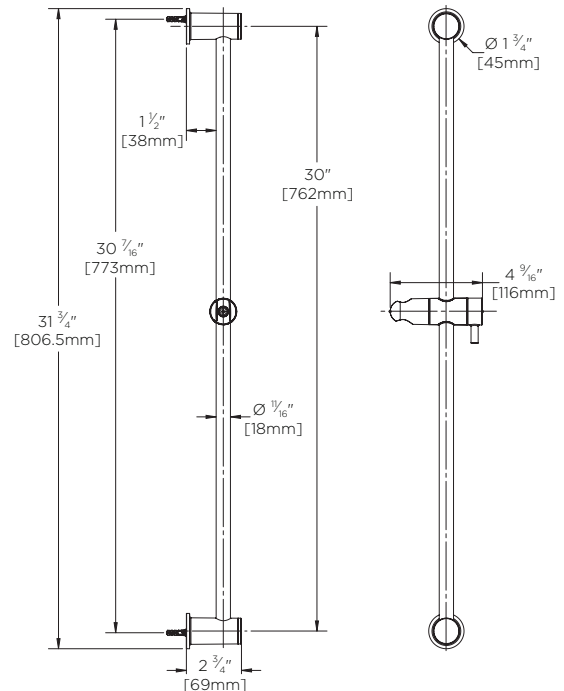


PC BN

WARRANTY:

Visit www.speakman.com for full product warranty information

- Limited Lifetime Warranty (residential)
- 5 Year Limited Warranty (commercial)



All dimensions are in inches (millimeters) unless otherwise specified and are subject to change without notice.

Architect/Engineer Approval Space:

P: 800-537-2107
 F: 800-977-2747
 W: WWW.SPEAKMAN.COM
 R: 03-AUGUST 2021