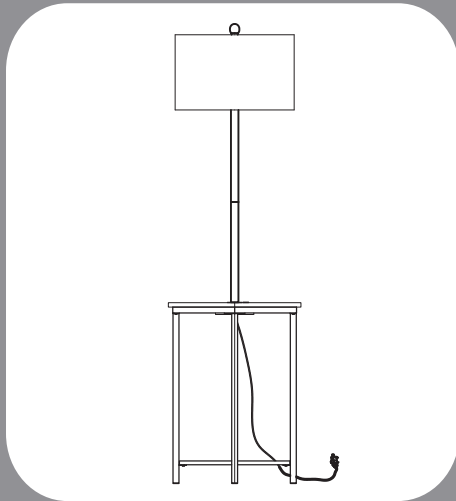




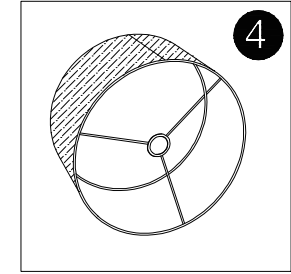
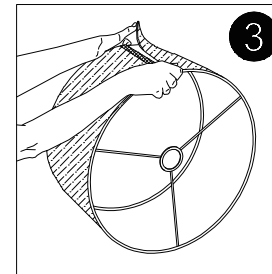
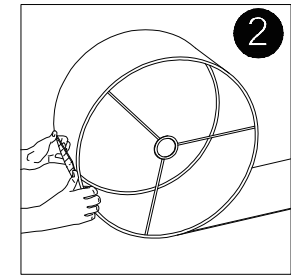
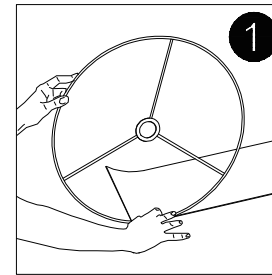
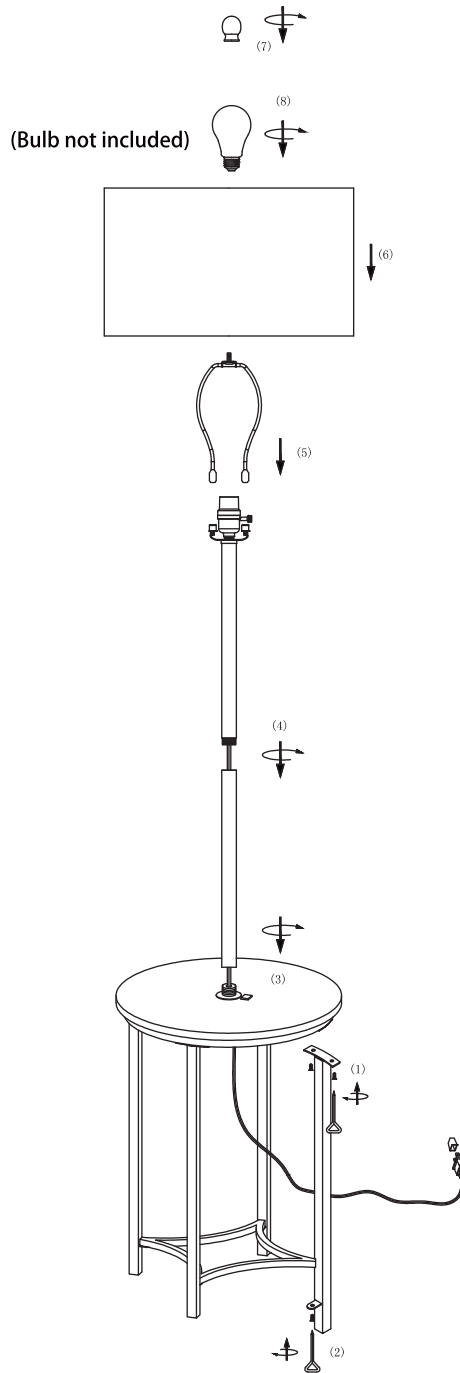
VERSANORA

Quincy

Floor lamp with Faux Marble Table Black Shade and Black Finish Leg



VN-L00070



WARNING:

Small parts and sharp edges may be present prior to assembly.

Care Instructions

Dust surface with a dry soft cloth.

Do not use window cleaners or cleaning abrasives as they will scratch the surface and could damage the protective coating

Customer Service

For questions regarding this product, or to receive replacement or missing parts, please contact customer service based on your location.

Please have ready the model number when you contact us.

USA : support@teamson.com or 1-800-935-3959

T : 631-274-3355

E : support@teamson.com

www.versanora.com