

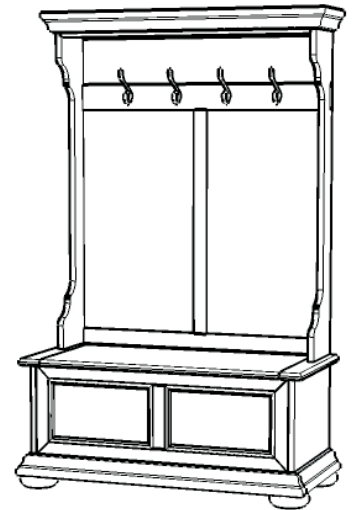
# 88 5527 49 Hall Tree Stand

## IMPORTANT NOTE

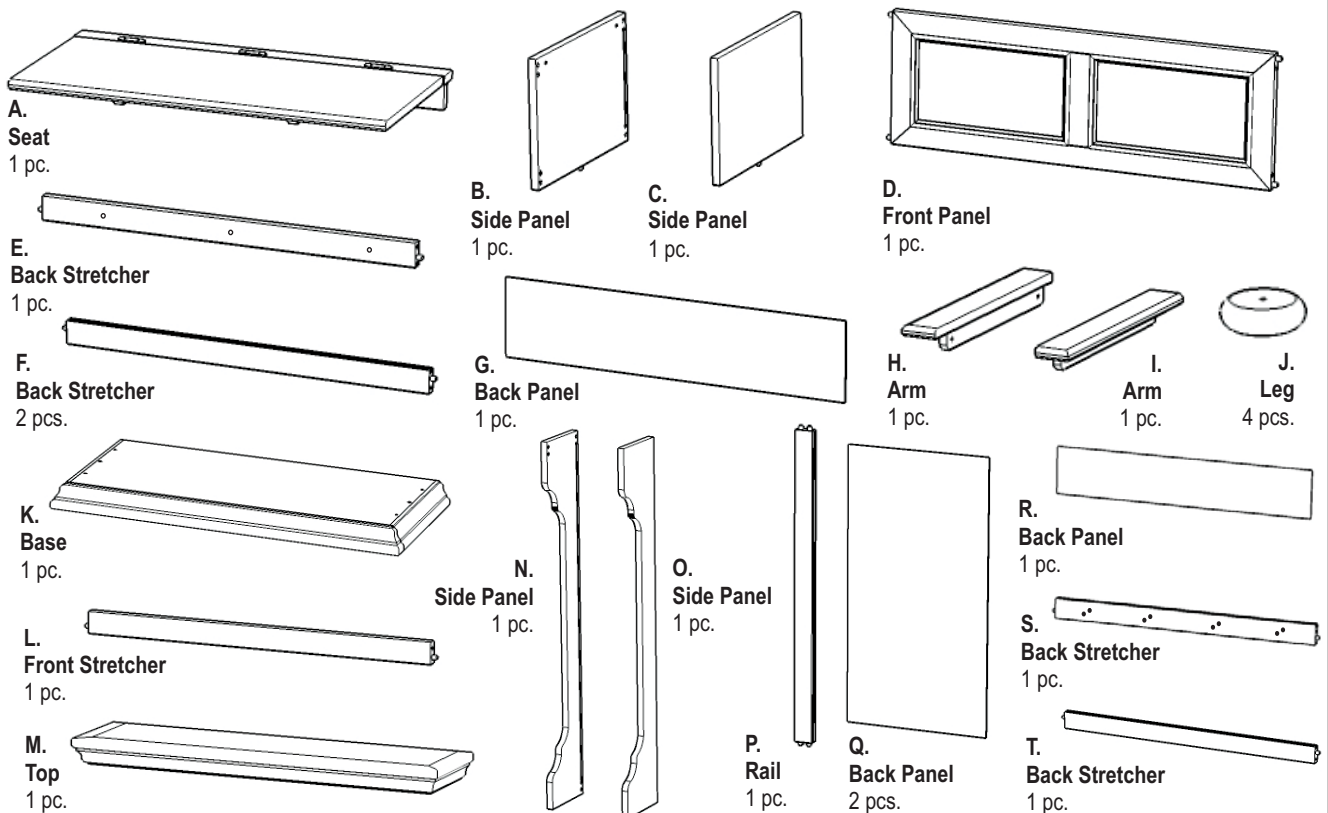
Carefully remove all the parts from the carton and put them individually on a soft cloth to prevent scratches or other damages occurring to the parts.

We have taken great care in the design of this product and request that you carefully and strictly follow our assembly instructions to ensure a completed product as it was designed.

*Home  
Styles*



## Part List



## Hardware List



Tools required for assembly : **Phillips** screwdriver

**Home Styles Consumer Assistance Line 888-680-7460 and 877-831-0319**

**[servicedesk@homestyles-furniture.com](mailto:servicedesk@homestyles-furniture.com)**

**Revised date : 26Aug2011**

# Assembly Instructions 2/6

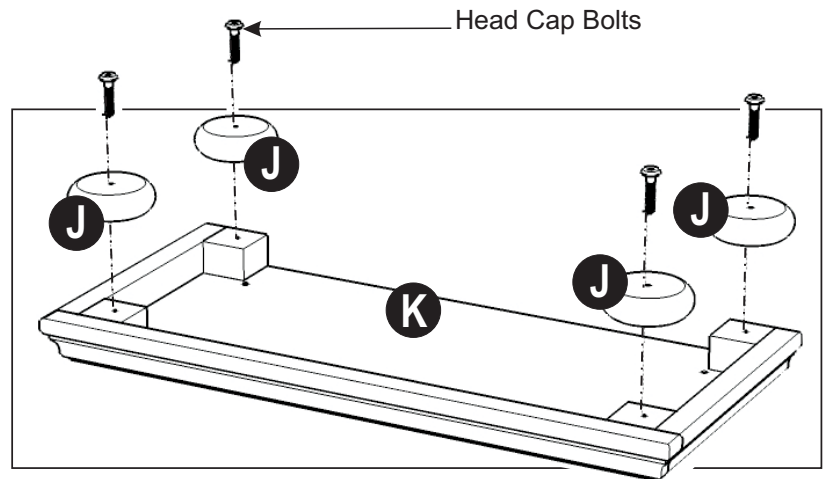
## IMPORTANT

\* Do not tighten up all the screws until each part is properly assembled.

\* You should keep Hex Wrench in a safe place as you may need to tighten up the Head Cap Bolts in the future.

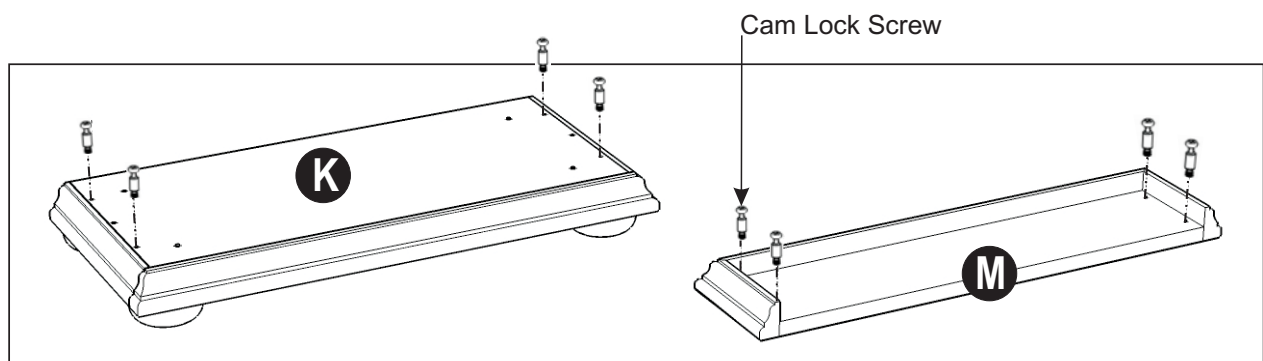
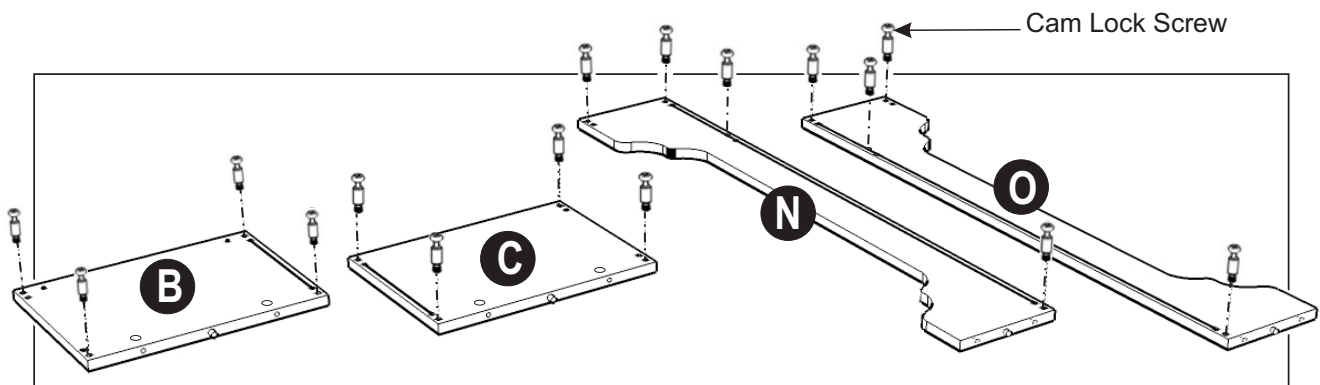
## STEP 1

Attach Legs (J) to Base (K) with Head Cap Bolts.

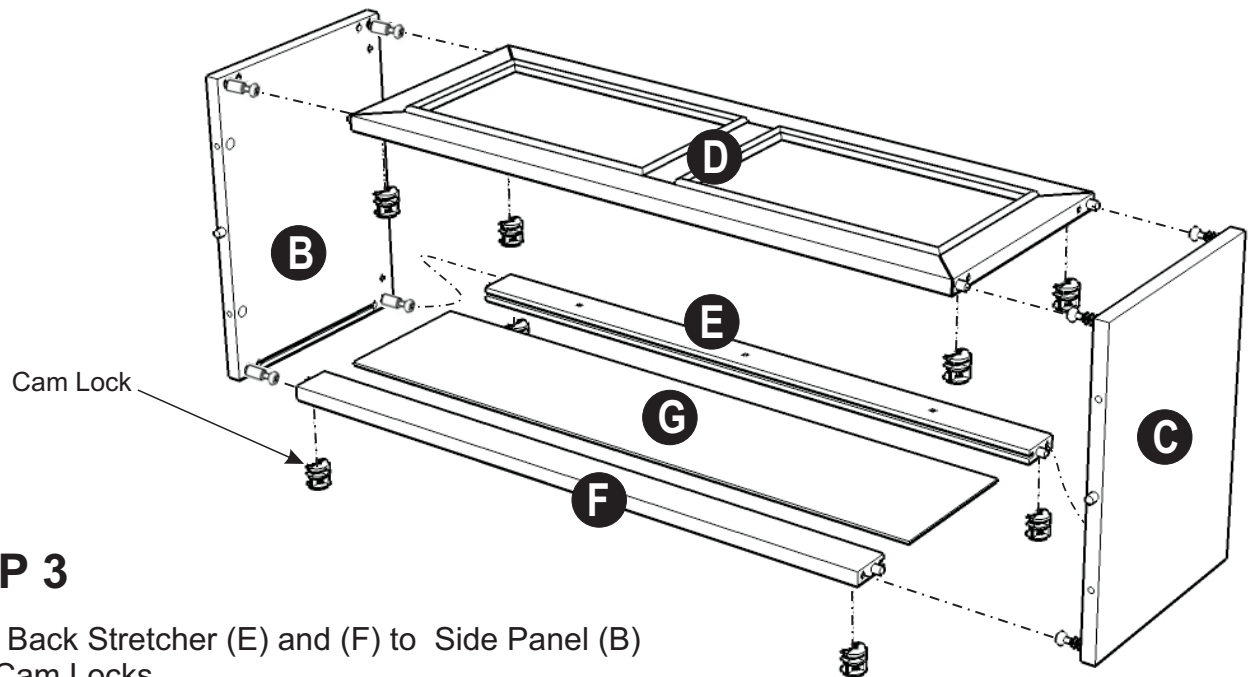


## STEP 2

Put Cam Lock Screws into the pre-drilled holes of Side Panel (B), (C), (N), (O) Base (K), Top (M) and tighten.



## Assembly Instructions 3/6



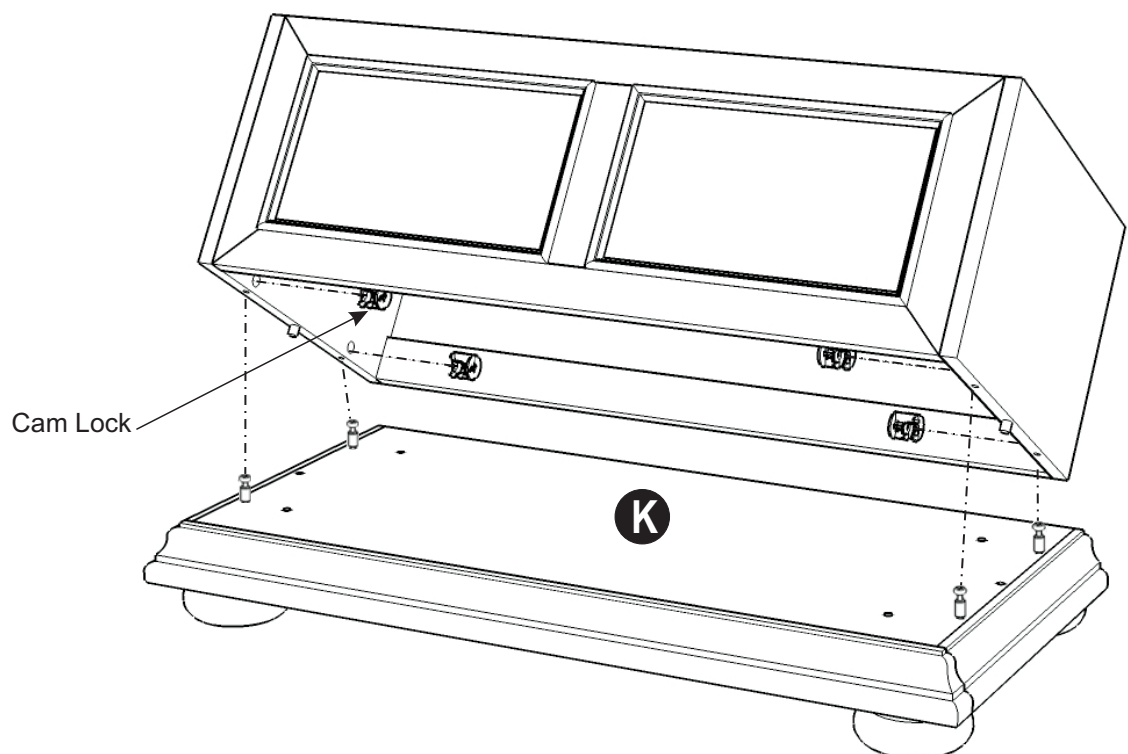
### STEP 3

Attach Back Stretcher (E) and (F) to Side Panel (B) using Cam Locks.

Slide Back Panel (G) into place.

Attach Front Panel (D) to Side Panel (B) using Cam Locks.

Attach Side Panel (C) to unit using Cam Locks.

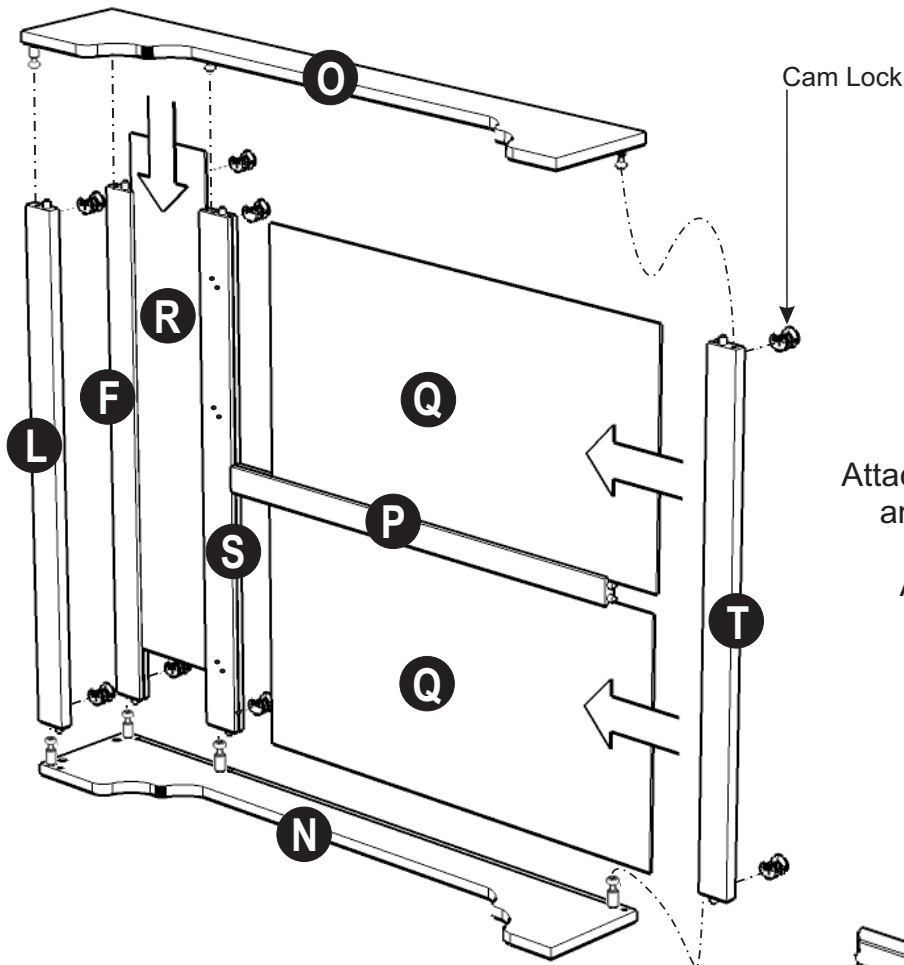


### STEP 4

Attach Base (K) to unit using Cam Locks.

# Assembly Instructions 4/6

## STEP 5



Attach Front Stretcher (L)  
Back Stretcher (F) and (S)  
to Side Panel (N) using  
Cam Locks.

Slide Back Panel (R) to unit.

Attach Rail (P) to Back Stretcher (S)  
and slide Back Panels (Q) to unit.

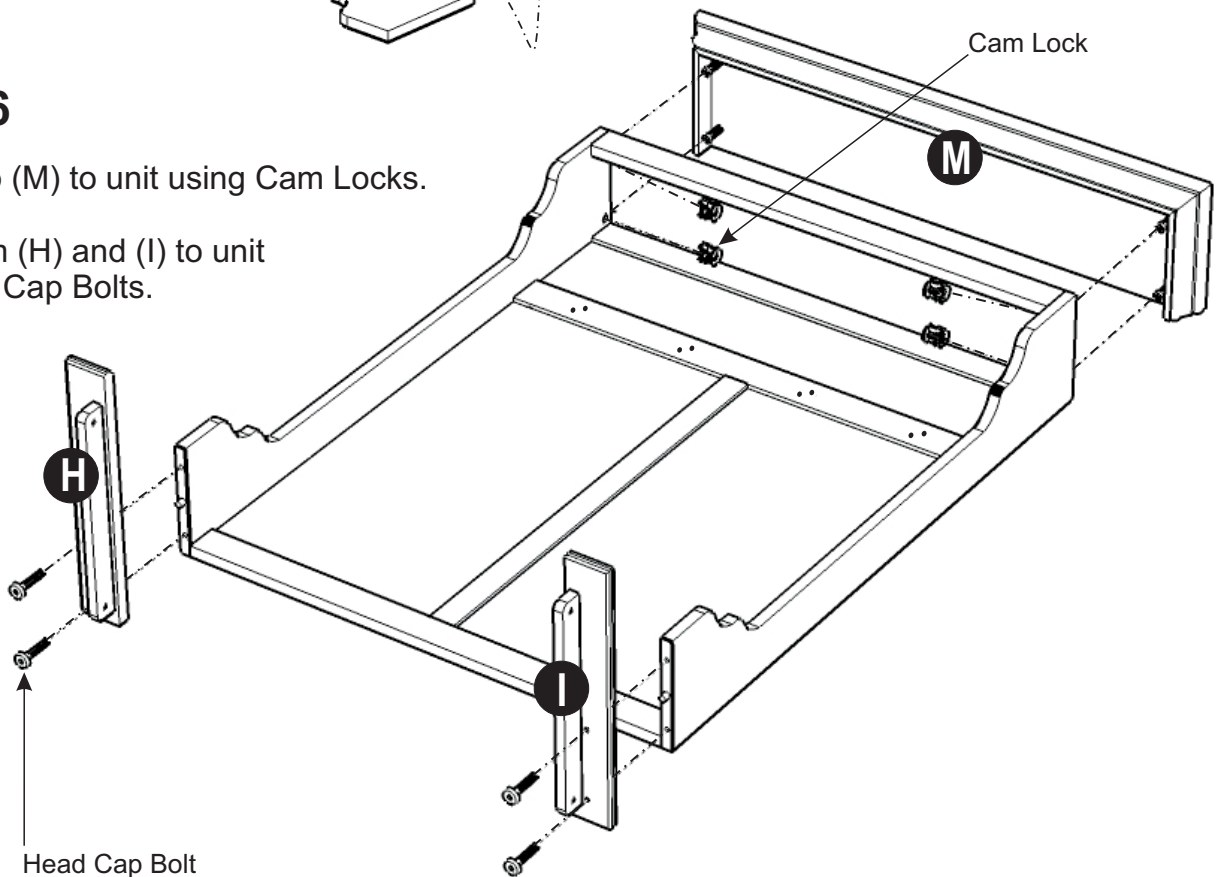
Attach Back Stretcher (T) to unit  
using Cam Lock.

Attach Side Panel (O) to unit  
using Cam Locks.

## STEP 6

Attach Top (M) to unit using Cam Locks.

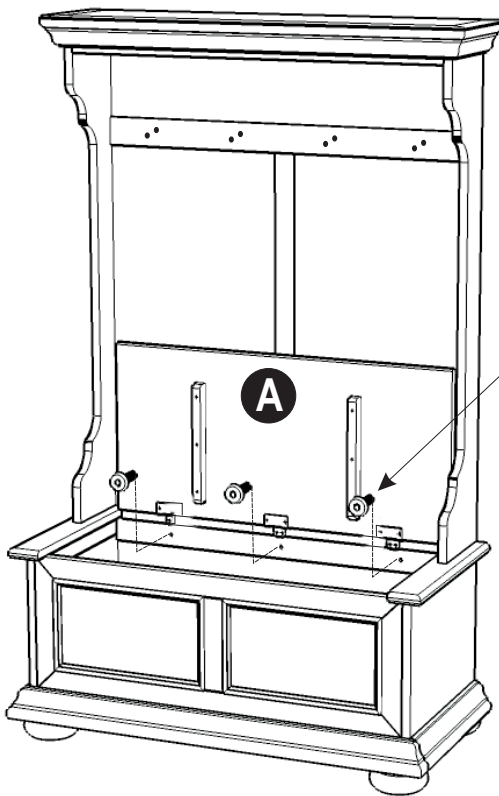
Attach Arm (H) and (I) to unit  
with Head Cap Bolts.



# Assembly Instructions 5/6

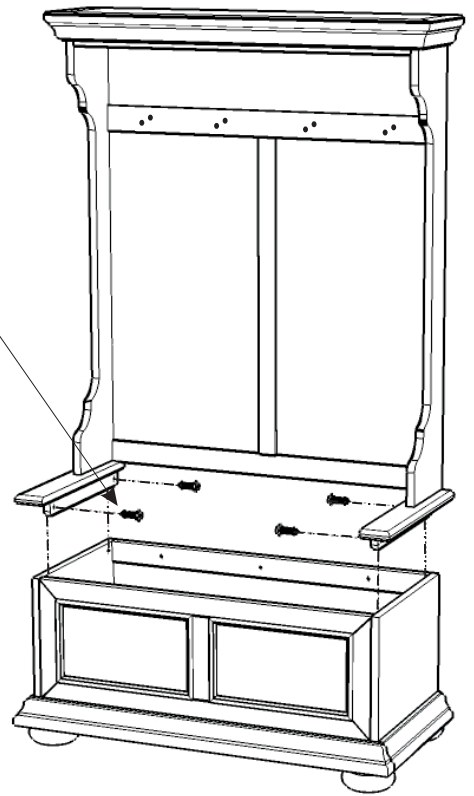
## STEP 7

Place the top unit onto the base unit with Head Cap Bolts.



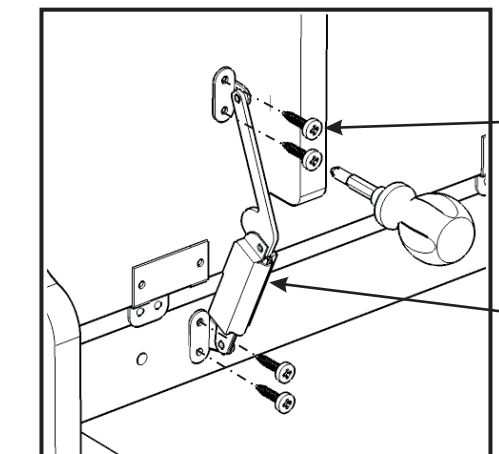
Head Cap Bolt

Head Cap Bolt



## STEP 8

Attach the Seat (A) to the base unit with Head Cap Bolts.

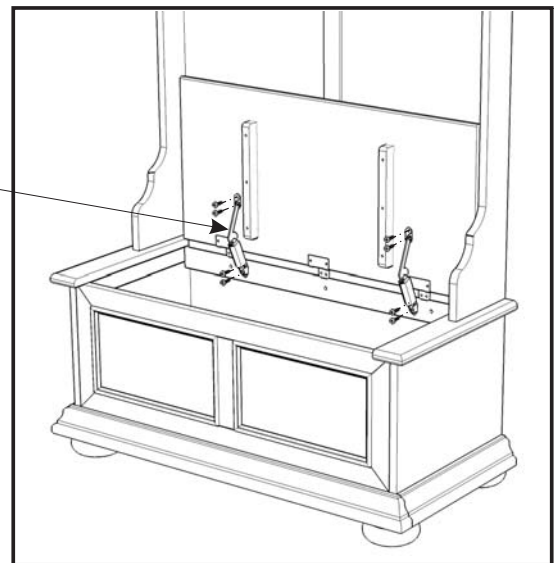


Wood Screw for Spring Support

Spring Support

Figure 1

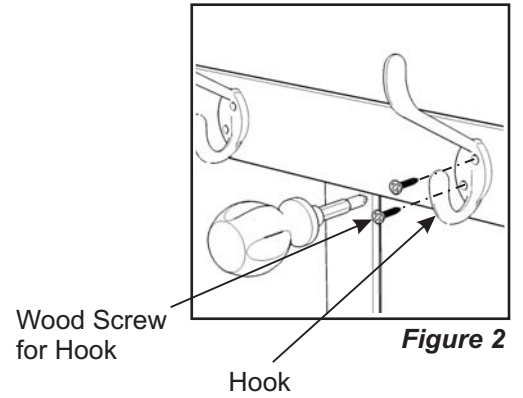
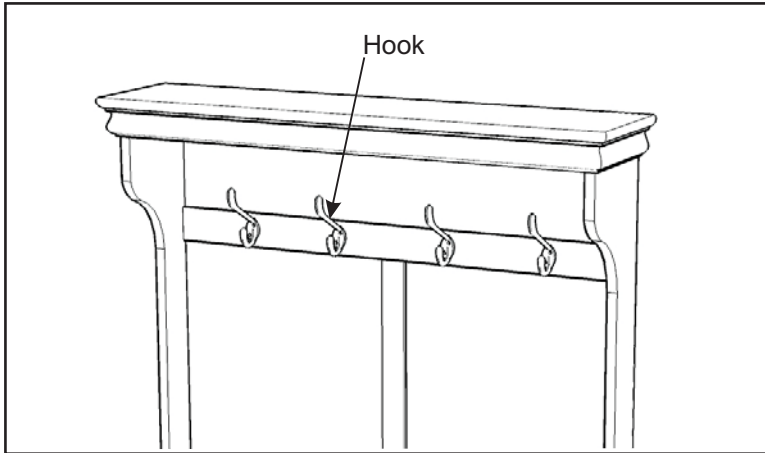
Spring Support



## STEP 9

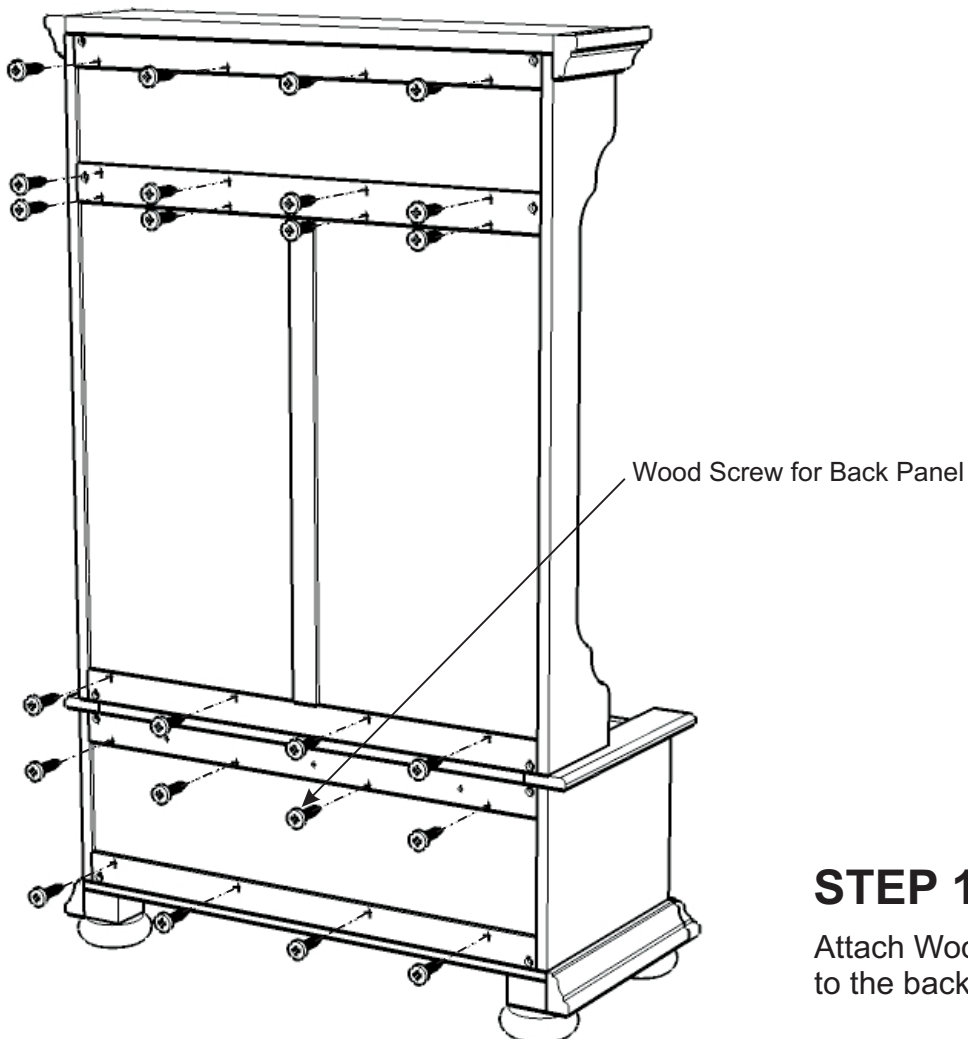
Attach Spring Support to the unit with Wood Screws into the pre-drilled holes. (see Figure 1)

# Assembly Instructions 6/6



## STEP 10

Attach Hooks to the top of unit with Wood Screws for Hooks.  
(see Figure 2)



## STEP 11

Attach Wood Screws for Back Panel to the back of the unit.