









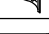

ASSEMBLY INSTRUCTION


ITEM: #5381 - 90851 Upholstered Bed Headboard 5/0
5381 - 90852 Upholstered Bed Footboard 5/0
5381 - 90853 Upholstered Bed Side Rail 5/0-6/6

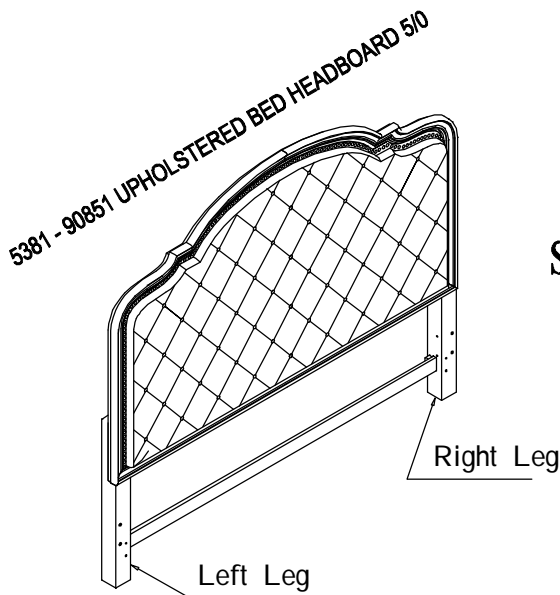
Thank you for purchasing this quality product. Be sure to unpack carefully looking for small parts which may have come loose during shipment.

Read all instruction and study the drawing carefully before starting the assembly process:

HARDWARE LIST OF HEADBOARD - 90851				
NO.	DESCRIPTION	SIDE	DRAWING	Q'TY
A	BOLT	Φ5/16" *1-3/4"		8PCS
B	LOCK WASHER	Φ5/16"		8PCS
C	FLAT WASHER	Φ5/16"* 19MM		8PCS
D	OPEN WRENCH	Φ5/16"		1PC

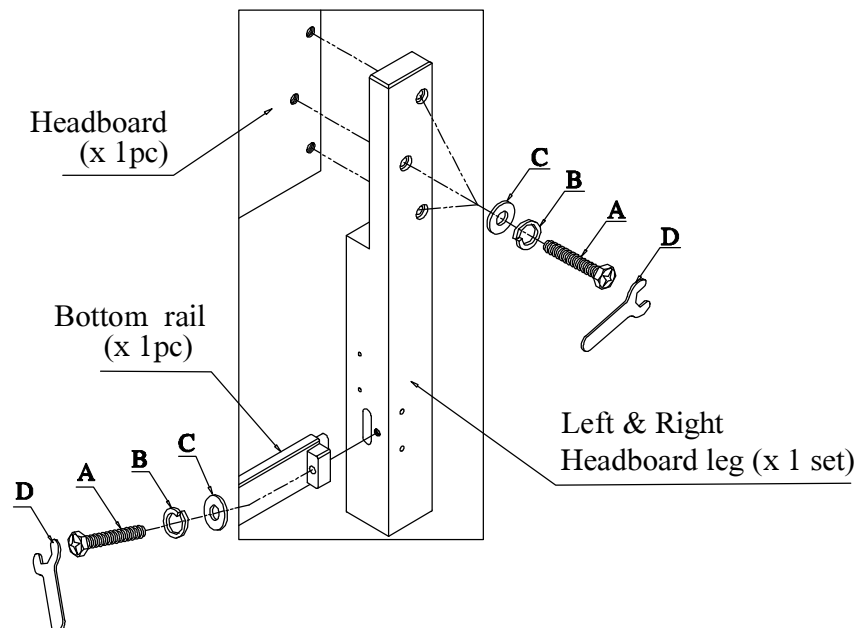
HARDWARE LIST OF BED RAILS - 90853				
NO.	DESCRIPTION	SIDE	DRAWING	Q'TY
E	HANGER BOLT	Φ5/16"*3-1/2"		8 PCS
F	NUT	Φ5/16"		8 PCS
G	LOCK WASHER	Φ5/16"		8 PCS
H	FLAT WASHER	Φ5/16"*16MM		8 PC
I	CURVED WASHER	Φ5/16"		8 PCS
D	OPEN WRENCH	Φ5/16"		1PC

HARDWARE LIST OF FOOTBOARD - 90852				
NO.	DESCRIPTION	SIDE	DRAWING	Q'TY
J	SCREW	#8*1"		8 PCS



STEP 1: Attach legs to headboard using bolts(A), lock washer(B), flat washer(C), and attach bottom rail to the legs using bolt (A) as shown in step 1. Using an open wrench (D) to tighten all the bolts.

STEP 1



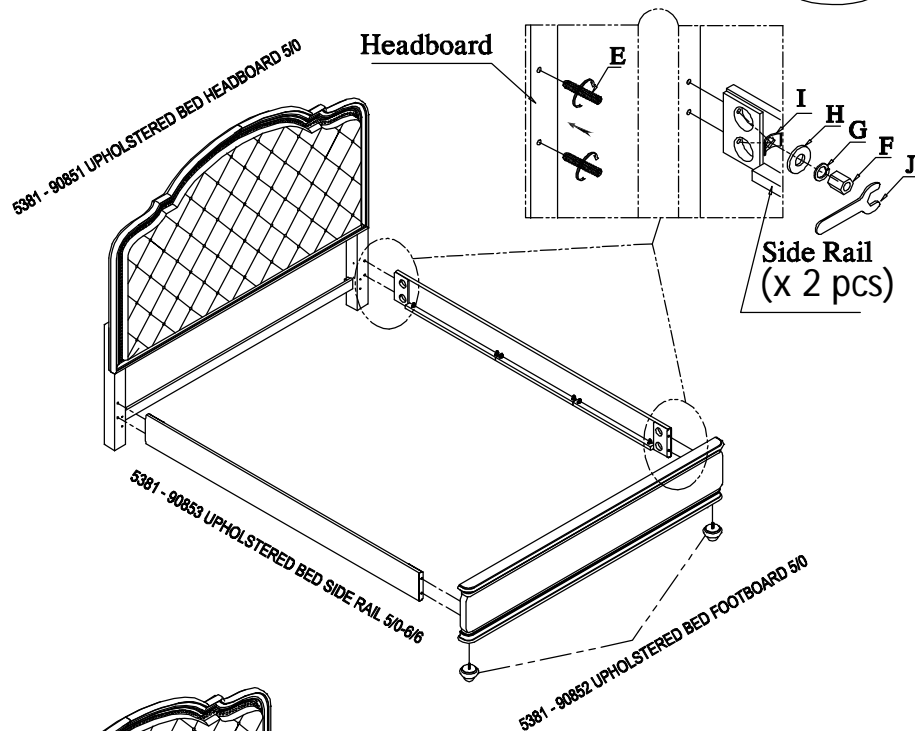
ASSEMBLY INSTRUCTION

ITEM: #5381 - 90851 Upholstered Bed Headboard 5/0
 5381 - 90852 Upholstered Bed Footboard 5/0
 5381 - 90853 Upholstered Bed Side Rail 5/0-6/6

Thank you for purchasing this quality product. Be sure to unpack carefully looking for small parts which may have come loose during shipment.

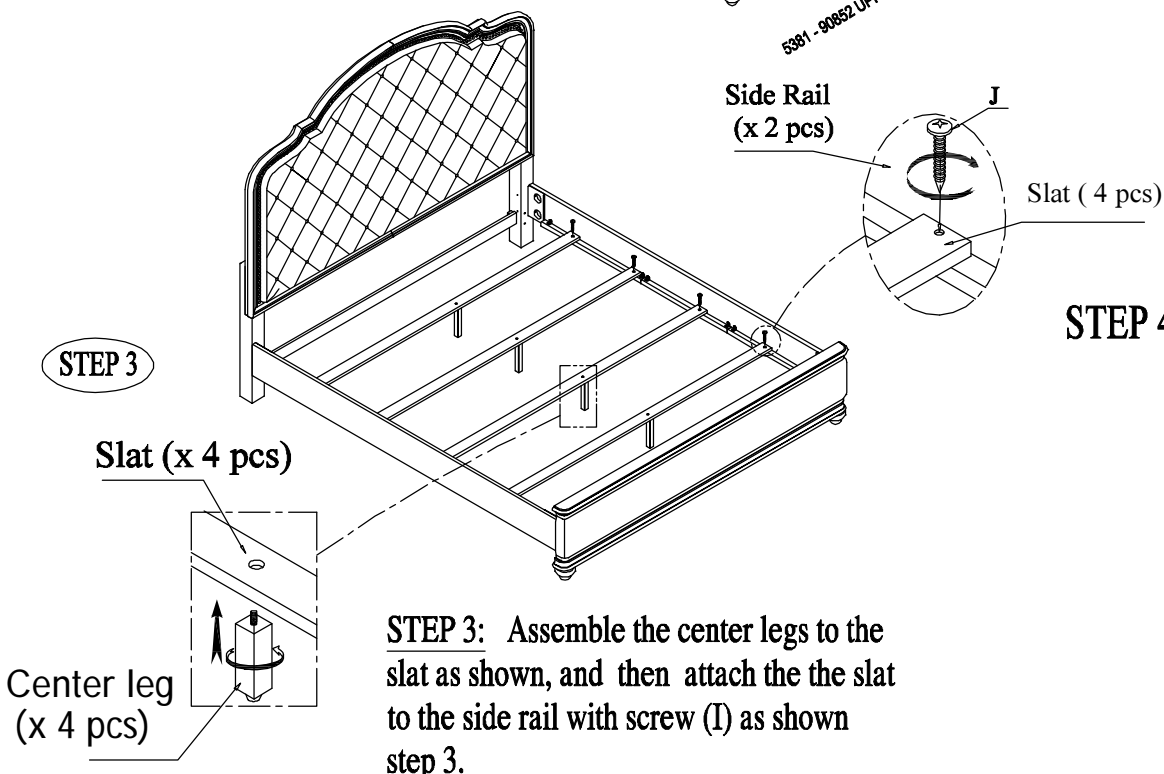
Read all instruction and study the drawing carefully before starting the assembly process:

STEP 2



STEP 4

STEP 3



STEP 3: Assemble the center legs to the slat as shown, and then attach the the slat to the side rail with screw (I) as shown step 3.