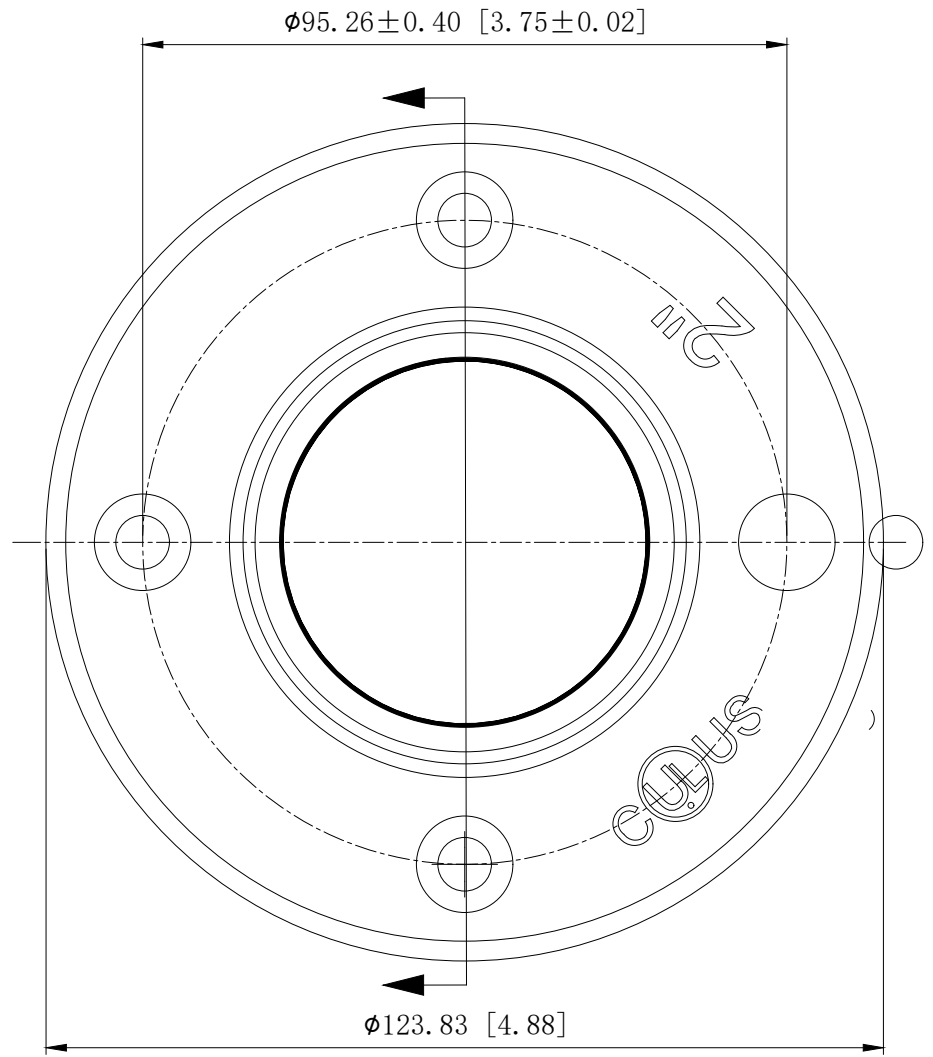
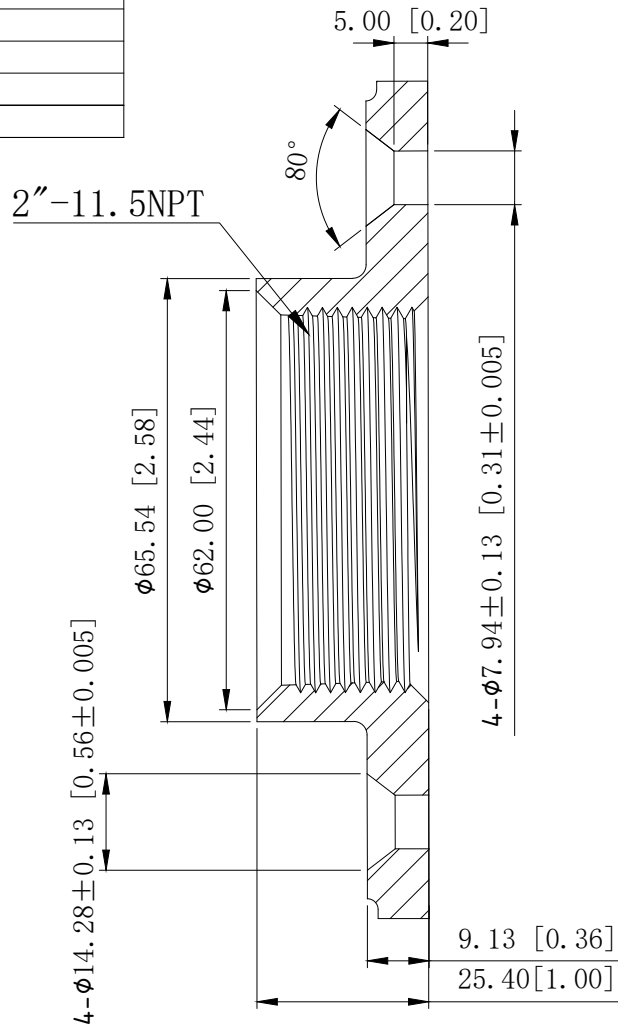


SIDES	BOTTOM
Material: Malleable, zinc plated	



This data sheet is for reference only .GARVIN INDUSTRIES reserves the right to make changes to the design without prior notice.

DESCRIPTION
TRADE REFERENCE TERMS

STANDARD PACKING	<h1>GARVIN INDUSTRIES</h1>		
25 PCS			
TITLE	DWG NO.		REV
	A4	FF200	B
DATA SHEET			