

Hanging Bin Bracket Assembly Instructions

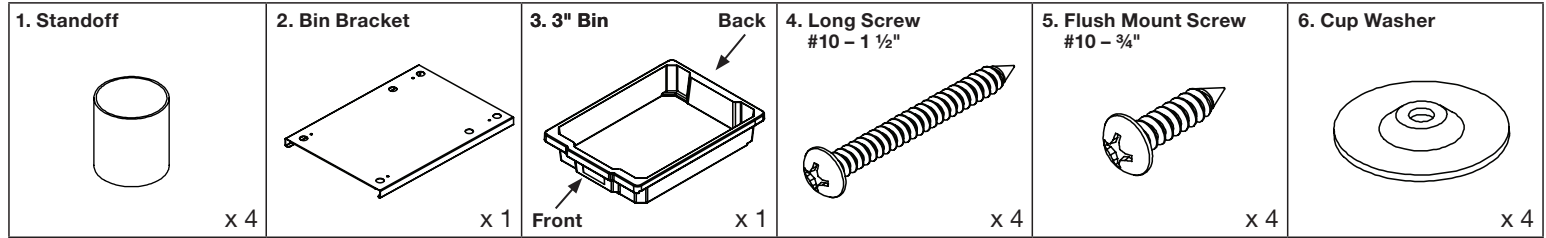
Tools Required for Assembly

- Phillips screwdriver
- Power drill
- Tape measure
- 1/8" Drill depth collar
- 1/8" drill bit

Important

Read all instructions, review illustrations and identify all parts prior to assembly.

Included Components



Assembly Instructions

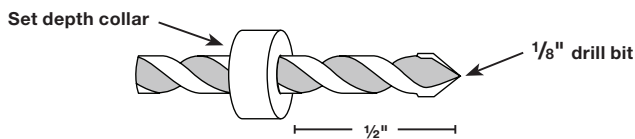
1. Flip desk upside down on non-marking surface such as carpet or foam pads.

2. Set the bin bracket on the cross beams. Locate the front of the bin in the desired location. Verify that at least two of the rear mounting holes are clear of any cross braces. (The front of the bin may need to be set back from the front of the desk.)

Make marks in the middle of the front 2 mounting holes and 2 of the back mounting holes to designate center of hole. (Only use the middle mounting holes on a 24" deep Hirsh desk) **[FIGURE 2]**

a. Mark the 4 flush mount holes if using a desk without cross braces.

3. Set the depth collar on 1/8" drill bit to drill between 1/4" - 1/2" deep. Depth collar will prohibit drilling too deeply and damaging work surface. In absence of depth collar, tape can be used on the drill bit to mark 1/2".



4. Drill the 4 holes to 1/2" depth at the marks made in **Step 2**.

! WARNING - Drilling too deeply will damage work surface.

5. Using a long screw, cup washer, and a standoff, mount the bin bracket to the work surface using the 4 pre-drilled holes from **Step 4**. **[FIGURES 3 & 4]**

! WARNING - Use short flush mount screws and do not use a stand-off if flush mounting to a desk without cross bracing.

6. Flip worksurface right-side up.

7. Install plastic bin into the bin bracket. **[FIGURE 5]**

FIGURE 1

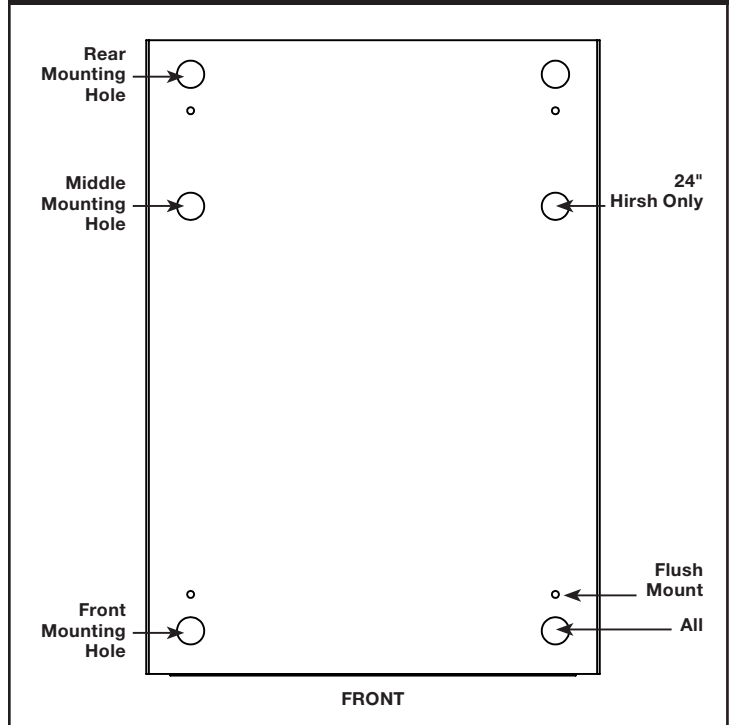
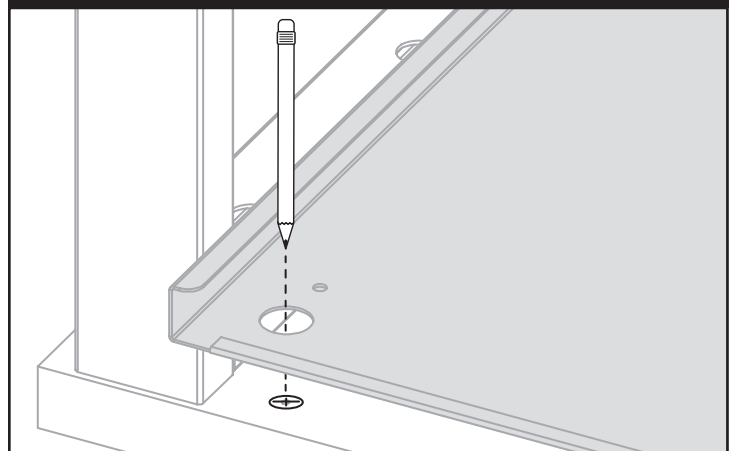


FIGURE 2



Hanging Bin Bracket Assembly Instructions, con.

FIGURE 3

- Long Screw
- Cup Washer
- Bin Bracket
- Standoff
- Worksurface

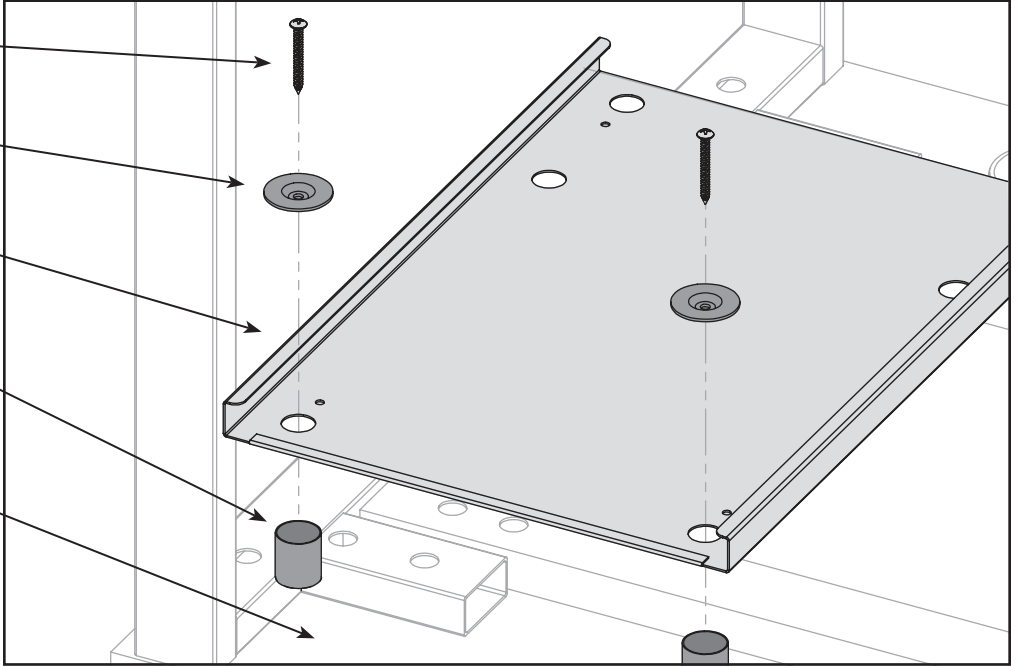


FIGURE 4

- Long Screw
- Cup Washer
- Bin Bracket
- Standoff
- Worksurface

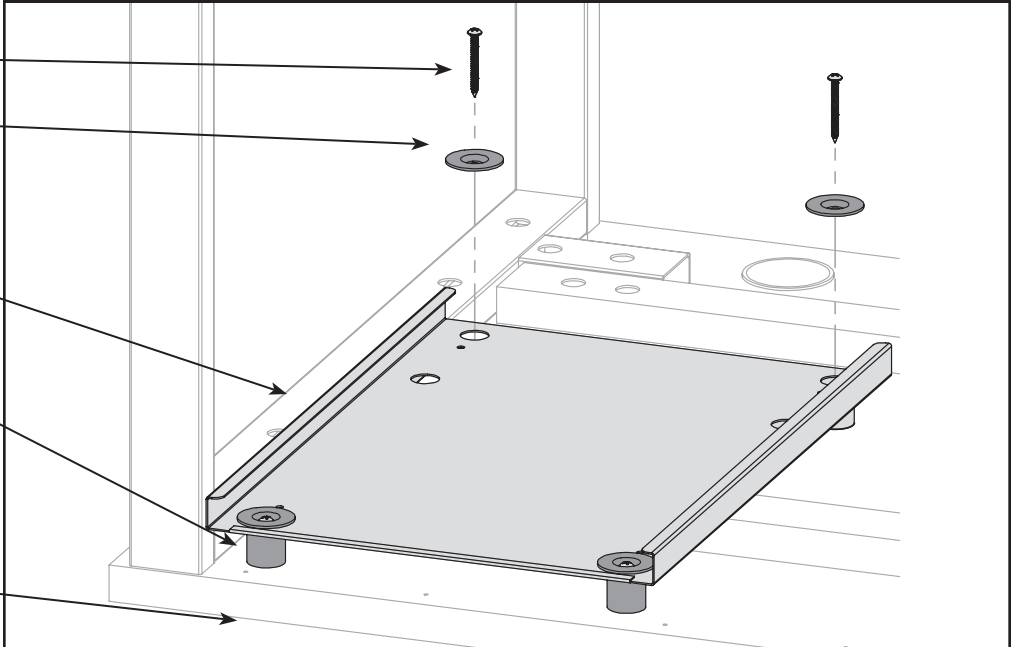


FIGURE 5

- Bin Bracket
- Plastic Bin

