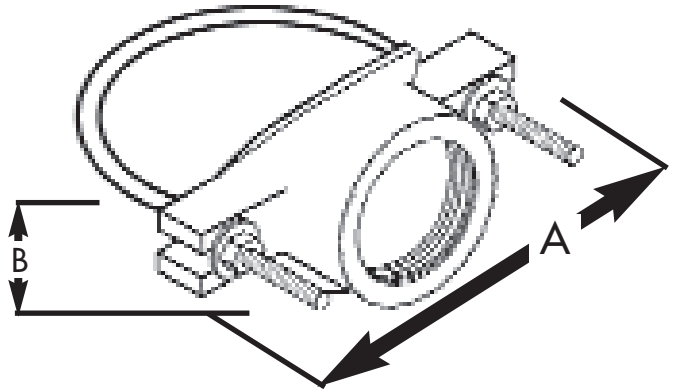
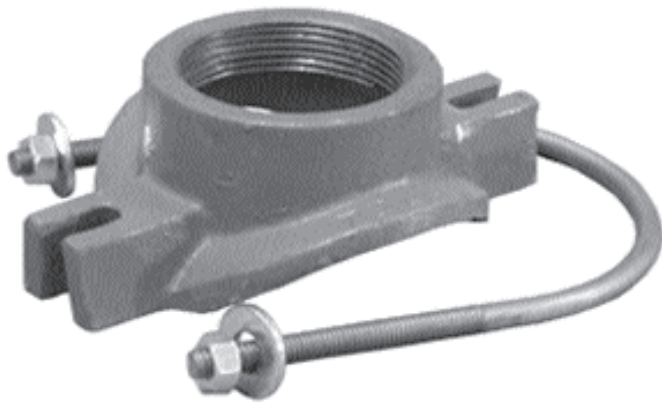


# SPECIFICATION SUBMITTAL SHEET

jones stephens corporation

## TAPPED SADDLE TEES



PART NO.	SIZE	A	B
□ T21-001	3" x 1 1/2"	5"	4 1/8"
□ T21-002	3" x 2"	5"	4 1/8"
□ T21-003	4" x 1 1/2"	5 3/4"	4 3/16"
□ T21-004	4" x 2"	5 3/4"	4 1/2"
□ S26-008	6" x 7" (1/4" thick) closed cell foam gasket		

jones stephens corporation  
3249 moody parkway • moody, alabama 35004  
toll free phone: 1-800-355-6637 • toll free fax: 1-800-462-6991  
www.plumbest.com