

Ecostat Classic
Pressure Balance Trim, Square
 Finishes : **brushed nickel** Part no. : **15769821**



Description

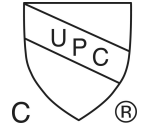
Features

- Flow: 5.44 GPM (20.6 L/Min)
- Integrated bypass for use with diverter tub spouts
- Temperature and on/off control for 1 outlet

Item details

List Price \$ 274.00

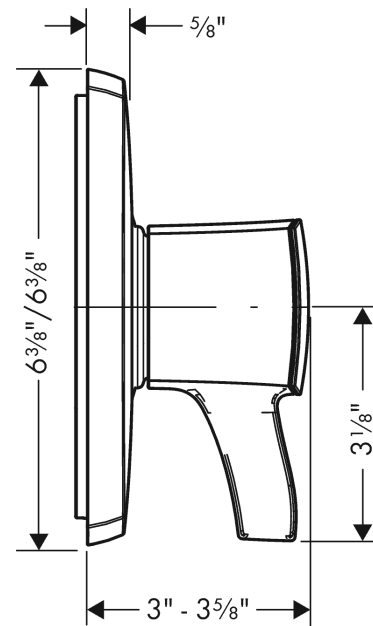
Compliance



Product image



Scale drawing

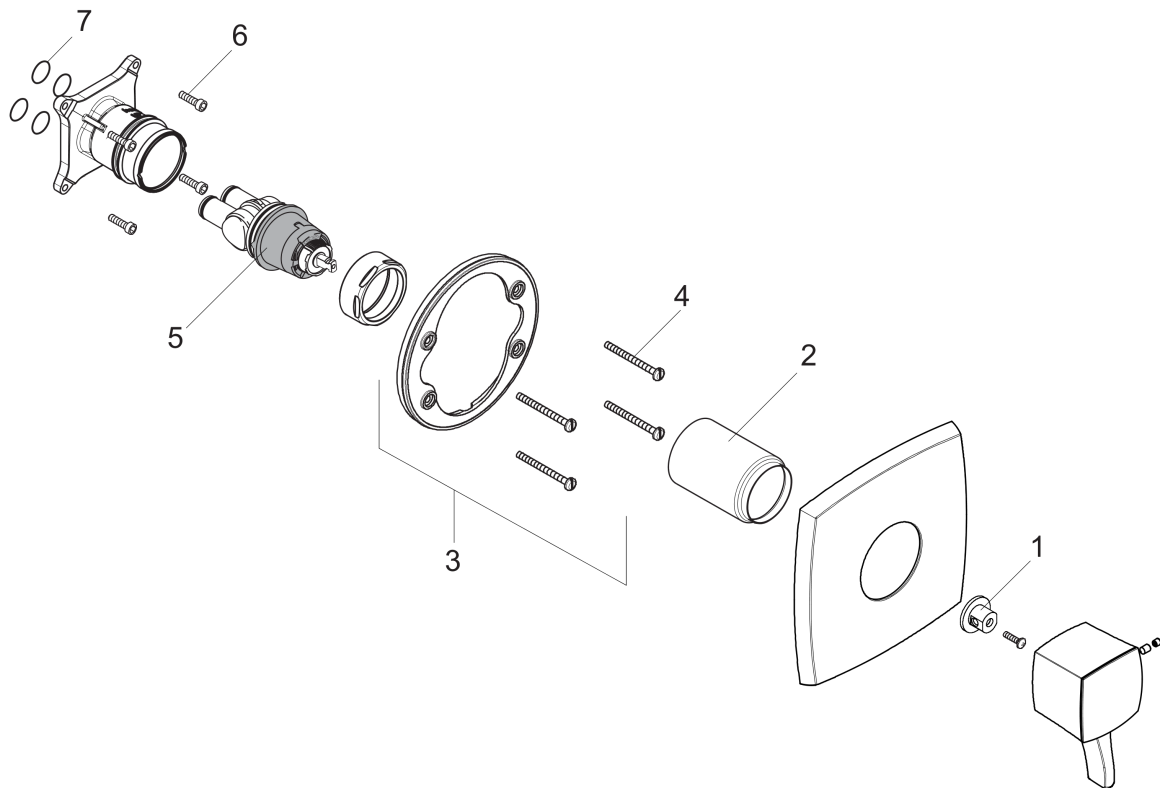


Ecostat Classic
Pressure Balance Trim, Square
 Finishes : **brushed nickel** Part no. : **15769821**



Exploded drawing

Year of production: >01/19



Ecostat Classic
Pressure Balance Trim, Square
 Finishes : **brushed nickel** Part no. : **15769821**



Spare parts list

Year of production: >01/19

Pos.	Description	Part no.	Price	PU
1	adapter for handle	92756000	-	1
2	sleeve	88765820	-	1
3	holder for escutcheon	98793000	-	1
4	set of fixing screws	96454000	-	1
5	cartridge, assy	88727000	-	1
6	set of screws	96525000	-	1
7	O-ring 16x2	98133000	-	1
a	extension 25 mm	13595000	-	1
b	set of fixing screws	97747000	-	1