

## Soirée® WASHLET+ C5 One-Piece Toilet - 1.28 GPF

### FEATURES

- Concealed supply connection for seamless installation
- High-efficiency TORNADO FLUSH® system - 1.28 GPF (4.8 LPF)
- CEFIONTECT® ceramic glaze minimizes waste from sticking to porous ceramic surfaces
- Decorative one-piece with skirted design
- Universal Height
- Chrome plated trip lever
- 12" Rough-in
- Elongated front bowl and WASHLET+ C5 and tank set
- EWATER+® auto-cleans wand after every use
- PREMIST® automatically mists the bowl before each use
- Convenient slim wireless remote with illuminated touchpad

### MODELS

- **MW9643084CEFG (#01)**  
With CEFIONTECT ceramic glaze, WASHLET+ C5
- **CST964CEFGAT40**  
Elongated bowl with CEFIONTECT
- **SW3084T40**  
WASHLET+ C5

### COLORS/FINISHES

- #01 Cotton

### OPTIONAL COMPONENTS

- **TSU03W.10R**  
10" Unifit Rough-In
- **TSU03W.14R**  
14" Unifit Rough-In
- **THU225(#BN, #PN, #PB)**  
Trip Lever (Brushed Nickel, Polished Nickel, Polished Brass)

### PRODUCT SPECIFICATION

The one-piece high-efficiency TORNADO FLUSH system toilet shall be 1.28 GPF (4.8 LPF). Toilet shall be 12" Unifit rough-in. Toilet shall have optional CEFIONTECT ceramic glaze and be at Universal Height. Toilet shall have elongated front bowl with SoftClose seat and Polished Chrome trip lever. Toilet shall be TOTO Model MW9643084CEFG#01.

See SW3084T40 Specification Sheet for details on included WASHLET.



**TORNADO FLUSH**



**EWATER+**



**CEFIONTECT**



**UNIVERSAL HEIGHT**

### CODES/STANDARDS

- Meets and exceeds ASME A112.19.2/CSA B45.1
- Certifications: IAPMO (cUPC®), EPA WaterSense®, State of Massachusetts, City of Los Angeles, and others
- Code compliance: UPC, IPC, NSPC, NPC Canada, and others
- Legislative Compliance: California AB715, California Green Building Code, City of Los Angeles Water Efficiency Ordinance, and others
- ADA compliant for residential use when installed with trip lever located on the approach side
- Complies with CA Prop 65 warning requirements



# MW9643084CEFG

Soirée® WASHLET+ C5  
One-Piece Toilet - 1.28 GPF

## SPECIFICATIONS

<b>Water Use</b>	1.28 GPF (4.8 LPF)
<b>Flush System</b>	TORNADO FLUSH®
<b>Water Surface</b>	7-7/8" x 9-7/8"
<b>Trap Diameter</b>	2-1/8"
<b>Rough-in</b>	12" (10" and 14" options available)
<b>Trap Seal</b>	2-3/16"
<b>Warranty</b>	One Year Limited Warranty
<b>Material</b>	Vitreous China
<b>Shipping Weight</b>	MW9643084CEFG: 120 lbs SW3084T40: 16.5 lbs
<b>Shipping Dimensions</b>	MW9643084CEFG 30" L x 19" W x 29-5/8" H <sup>1</sup> x 18-1/2" H <sup>2</sup> SW3084T40 23-5/8" L x 18-5/8" W x 7-5/8" H

See SW3084T40 Specification Sheet for details on included WASHLET.

## INSTALLATION NOTES

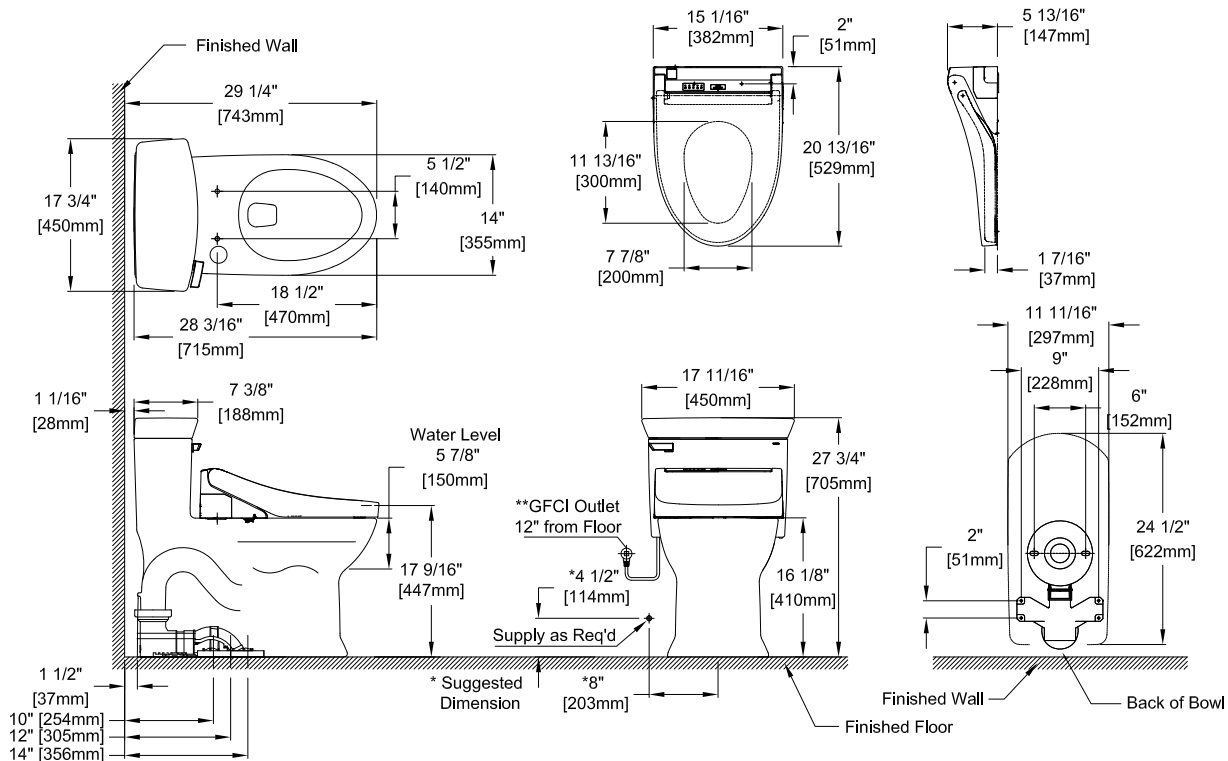
Back-to-Back Toilet Installations:  
TOTO recommends the use of a nationally listed, double sanitary tee-wye only, in vertical waste stacks, in accordance with the stipulations noted in the majority of nationally recognized plumbing codes.



To maintain adequate wall gap between the back of the tank and wall, mount the floor flange at a nominal 12" rough-in distance.

## DIMENSIONS

\*\*GFCI outlet of 120V, 10amps.  
Washlet power cord is 4' long with 3 prongs.



**TOTO®**

These dimensions and specifications are subject to change without notice