



Sheboygan, WI

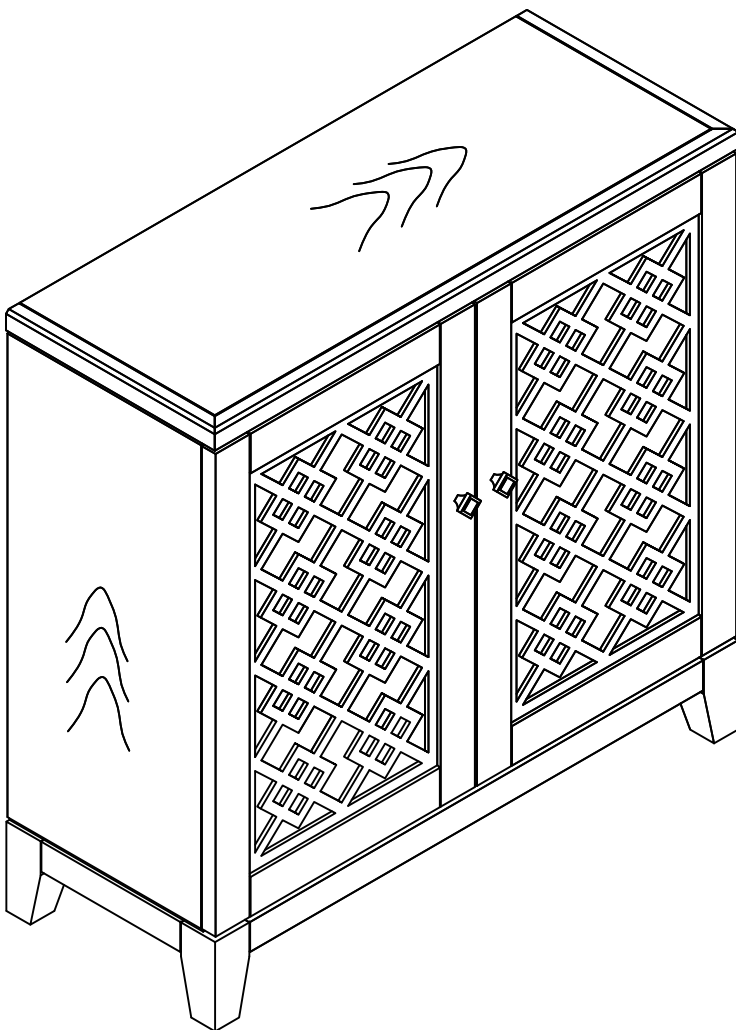
920-451-4060

info@leickhome.com

www.leickhome.com

Thank you for purchasing Leick Furniture products.
Contact customer service for comments or concerns.

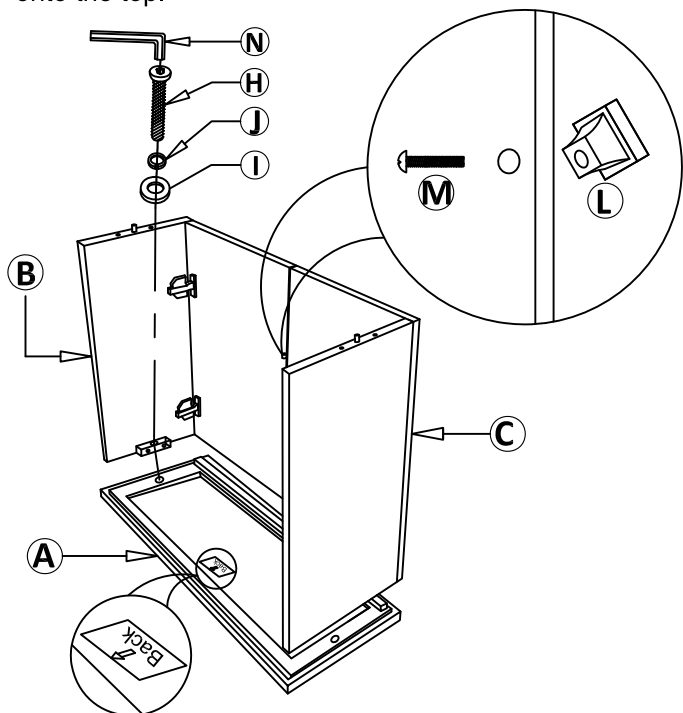
Assembly Instructions, #10083 Mirrored Door Hallstand



A: Top Assembly	
B: Door frame L	
C: Door frame R	
D: Back Panel	
E: Base	
F: Shelf	
G: (4) Shelf Clips	
H: (6) Bolts	
I: (6) Flat Washers	
J: (6) Lock Washers	
K: (16) Screws	
L: (2) Door Pulls	
M: (2) Machine screws	
N: Allen Wrench	
O: Anti-tipping Hardware	

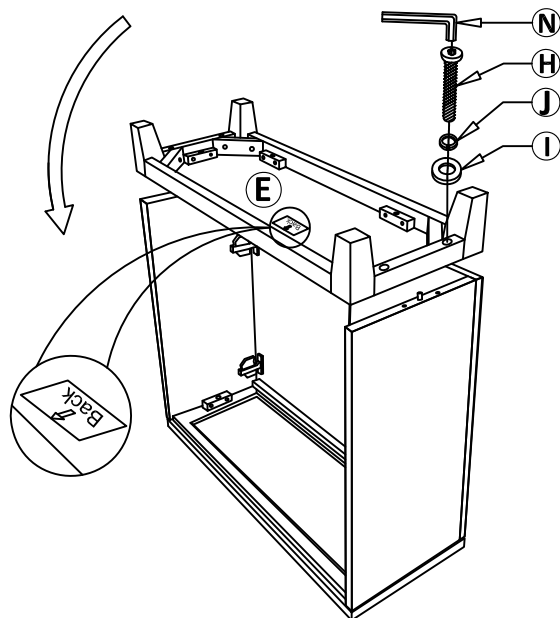
Step 1

Insert the door pull into the diamond groove on door frame and fasten with machine screw. Place the top upside down on a soft surface, fold the door frames into L-shape as per following sketch and fasten with bolts onto the top.



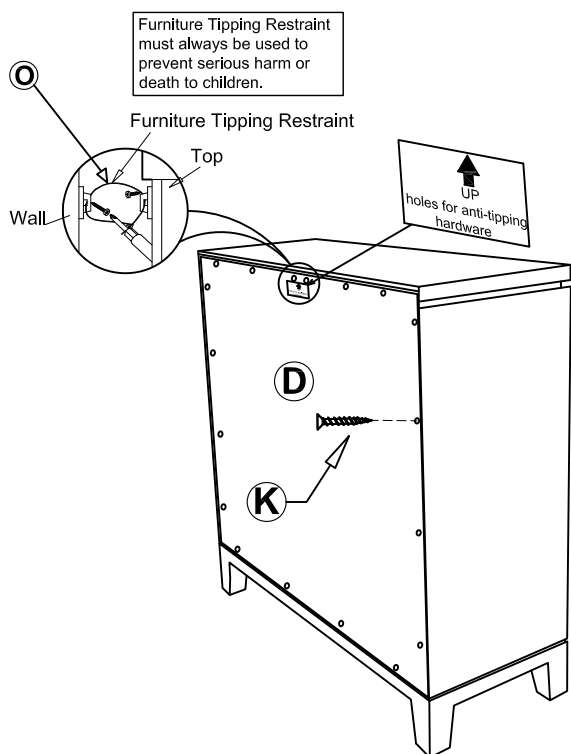
Step 2

Place the base on the cabinet and tighten with bolts. Now you can place the cabinet right side up.



Step 3

Fasten the back panel with screws. Fasten the anti-tipping hardware on the back of hallstand into pre-drilled holes.



Step 4

Insert the shelf supports and place the shelf on. Loosen and readjust door hinge screws to make two doors flushed if needed.

