

Assembly Guide



Bush
FURNITURE

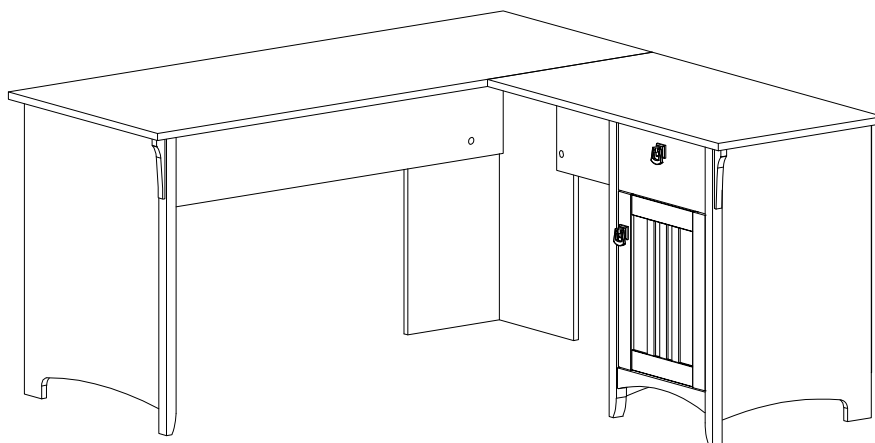


If you're having any difficulty during assembly of this product, don't hesitate to call us at **1-800-950-4782.**

Our customer service experts are trained to provide step-by-step instruction and can easily replace any missing or damaged parts.

Representatives are available Monday-Friday from 8:30 a.m. to 7:30 p.m. (ET)

60W L Desk



Lot Code #

Part Number A190464C

Keep manual for future reference.

For best results, keep these tips in mind:

- ① We know you want to finish this assembly as quickly as possible, but trust us: you'll have a better experience if you take it one step at a time.
- ② Give yourself some room to work near where you want the fully assembled product.
- ③ If your floor isn't carpeted, assemble this product on the empty carton to avoid scratching.
- ④ Do you have a friend who owes you a favor? Some steps may go a little easier with a second set of hands.

DOs

- ✔ Use a #2 Phillips head screwdriver (or other handheld tools as indicated)
- ✔ Wear safety glasses at all times during assembly
- ✔ Carefully follow the instructions in this guide and complete all steps in order
- ✔ Give us a call if you're having trouble with a particularly tricky step

DON'Ts

- ✘ We know power tools are quick and easy, but you shouldn't use them when assembling this product (unless otherwise specified)
- ✘ Never move your furniture with items inside or resting on the surface
- ✘ Do not attempt to use this product before all steps have been completed

**Watch assembly videos right on your phone or computer!**

Some steps include QR codes that link to helpful videos. Watch out for the icon below! Simply open up your smartphone camera to scan the code.

(Users of older smartphones may need to install a QR Reader.)

SCAN HERE**FOR VIDEOS**

Or visit <https://bushfurniture.com/help-faq/#assembling>

IMPORTANT SAFETY INFORMATION



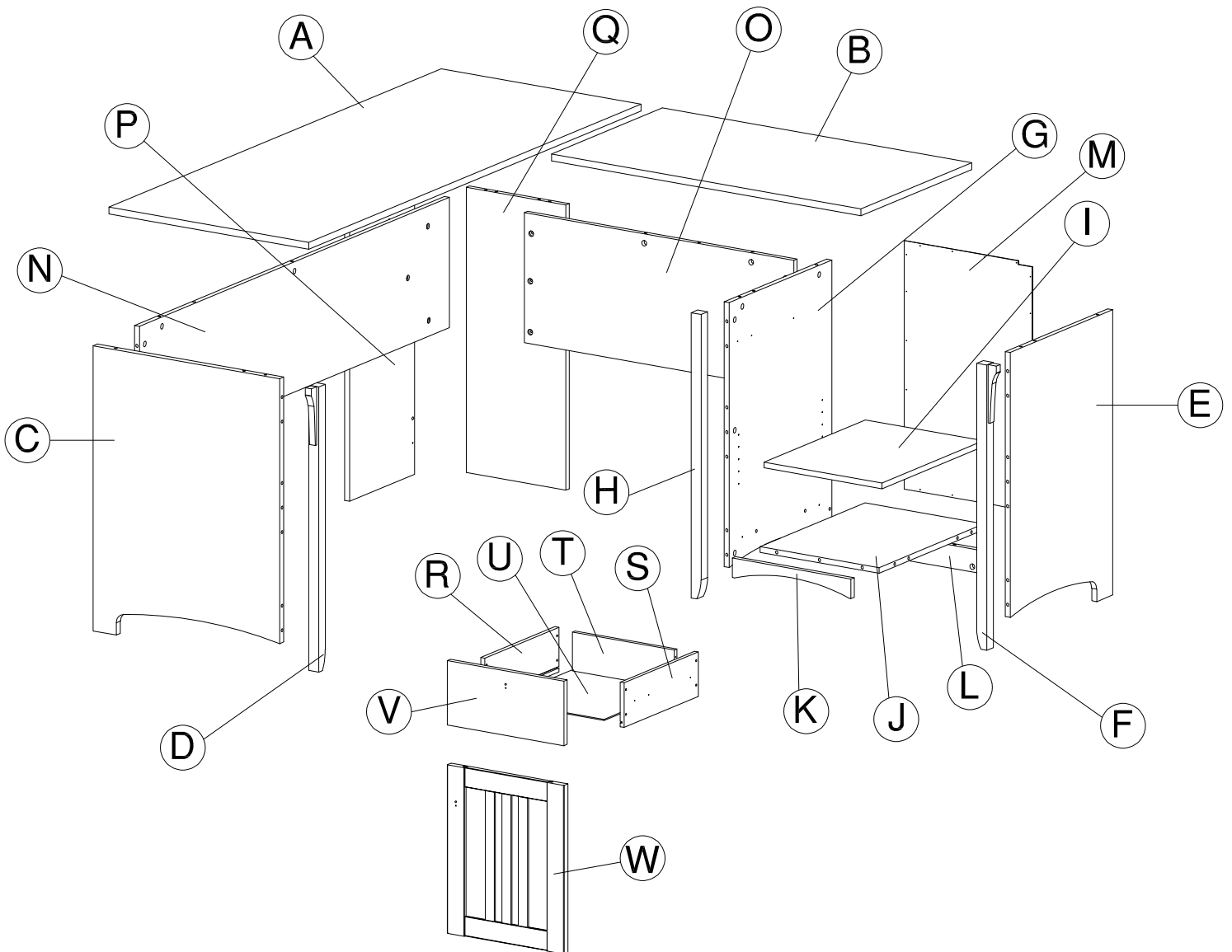
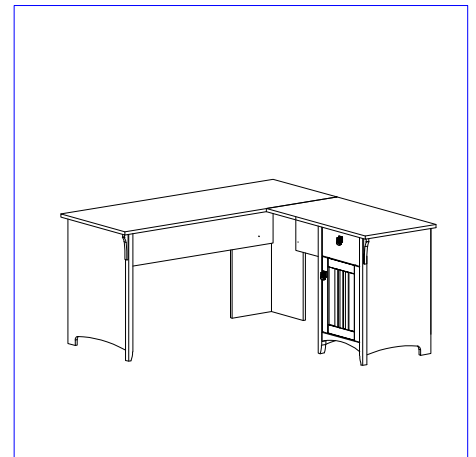
PLEASE READ WARNINGS

Improper use can cause safety hazards, or damage to your furniture and household items.

Warning	Do	Don't	Why it's important
Serious injury may occur.	<ul style="list-style-type: none">Assemble following all instructions using all indicated parts and hardware provided.	<ul style="list-style-type: none">Do not move unit when loaded.Do not load with a television or other heavy equipment.Do not exceed the maximum load limits stated in the instructions.	Improper assembly, use or loading can lead to product instability, tip-over or collapse.

Advertencia	Hacer	No	Por qué es importante
Se pueden producir lesiones graves.	<ul style="list-style-type: none">Ensamble siguiendo todas las instrucciones utilizando todas las piezas y ferretería indicados provistos.	<ul style="list-style-type: none">No mueva la unidad cuando esté cargada.No cargue con un televisor u otro equipo pesado.No exceda los límites máximos de carga establecidos en las instrucciones.	El ensamblaje, uso o carga inadecuados pueden provocar inestabilidad del producto, vuelco o colapso.

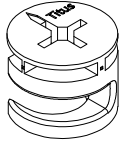
Avertissement	Faire	Ne le fais pas	Pourquoi c'est important
Des blessures graves peuvent survenir.	<ul style="list-style-type: none">Assemblez en suivant toutes les instructions en utilisant toutes les pièces et le matériel indiqués fournis.	<ul style="list-style-type: none">Ne déplacez pas l'unité lorsqu'elle est chargée.Ne chargez pas avec un téléviseur ou un autre équipement lourd.Ne dépassez pas les limites de charge maximale indiquées dans les instructions.	Un assemblage, une utilisation ou un chargement incorrects peuvent entraîner une instabilité du produit, un renversement ou un effondrement.



Have an assembly question or need a replacement part? Just call
1-800-950-4782, we are here to help.

Fasteners are shown actual size.

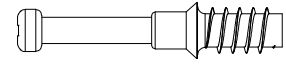
H181468



KD Cam

[39]

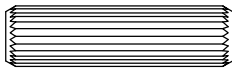
H180604



KD Bolt

[39]

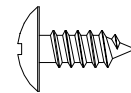
H38169



Wood Dowel
8 x 30mm

[34]

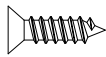
H35251



#10 x 1/2"

[8]

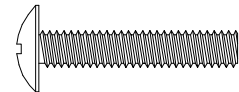
H149996



#6 x 1/2" Zinc

[4]

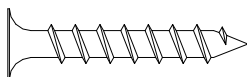
H160460



M4 x 22mm

[2]

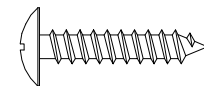
H26053



#10 x 1-1/4"

[4]

H150067

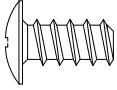


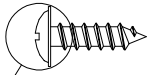
#8 x 7/8"

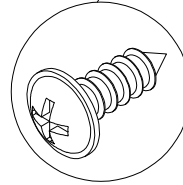
[6]

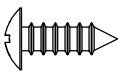
Have an assembly question or need a replacement part? Just call
1-800-950-4782, we are here to help.


Fasteners are shown actual size.


H146988  [4]
#12 x 1/2"

H204610  [4]
#6 x 1/2"



H192100  [2]
#8 x 1/2"

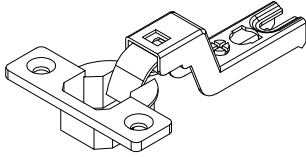
H124395  [12]
#6 x 1/2"

 [20]
#3 x 3/4"

Have an assembly question or need a replacement part? Just call
1-800-950-4782, we are here to help.

Hardware not to scale.

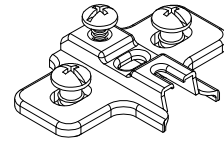
H170611



Hinge Arm

[2]

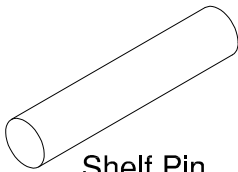
H170612



Mounting Plate

[2]

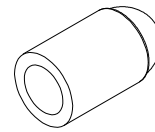
H23604



Shelf Pin
1" x 3/16"

[4]

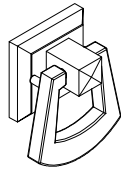
H126396



Shelf Pin Sleeve

[4]

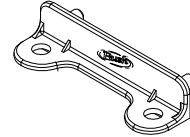
H159990



Pull

[2]

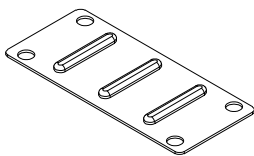
H100445



Drawer Bracket

[2]

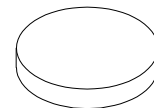
H39922



Strap

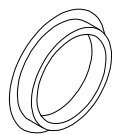
[2]

H149989



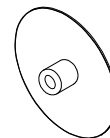
Bumper

[1]



Hole Plug

[6]

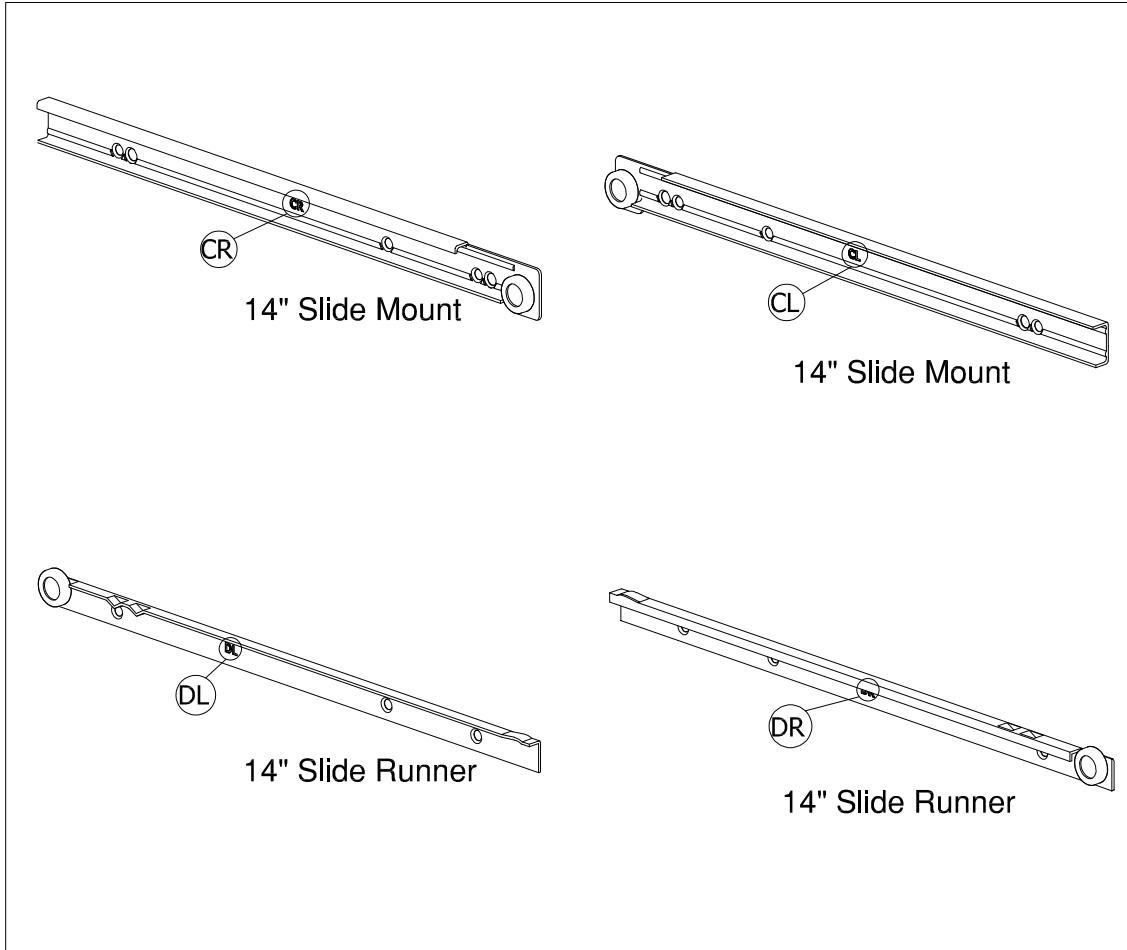


Cover Cap

[23]

Have an assembly question or need a replacement part? Just call
1-800-950-4782, we are here to help.

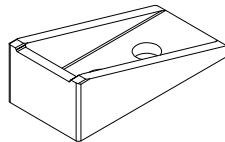
Hardware not to scale.



Q89892

[1]

H149994



Rubber Stop

[1]

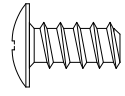
Have an assembly question or need a replacement part? Just call
1-800-950-4782, we are here to help.

STEP 1

Prepare Panel

A190464C

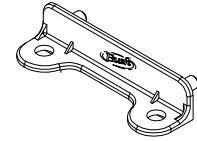
H146988



[4]

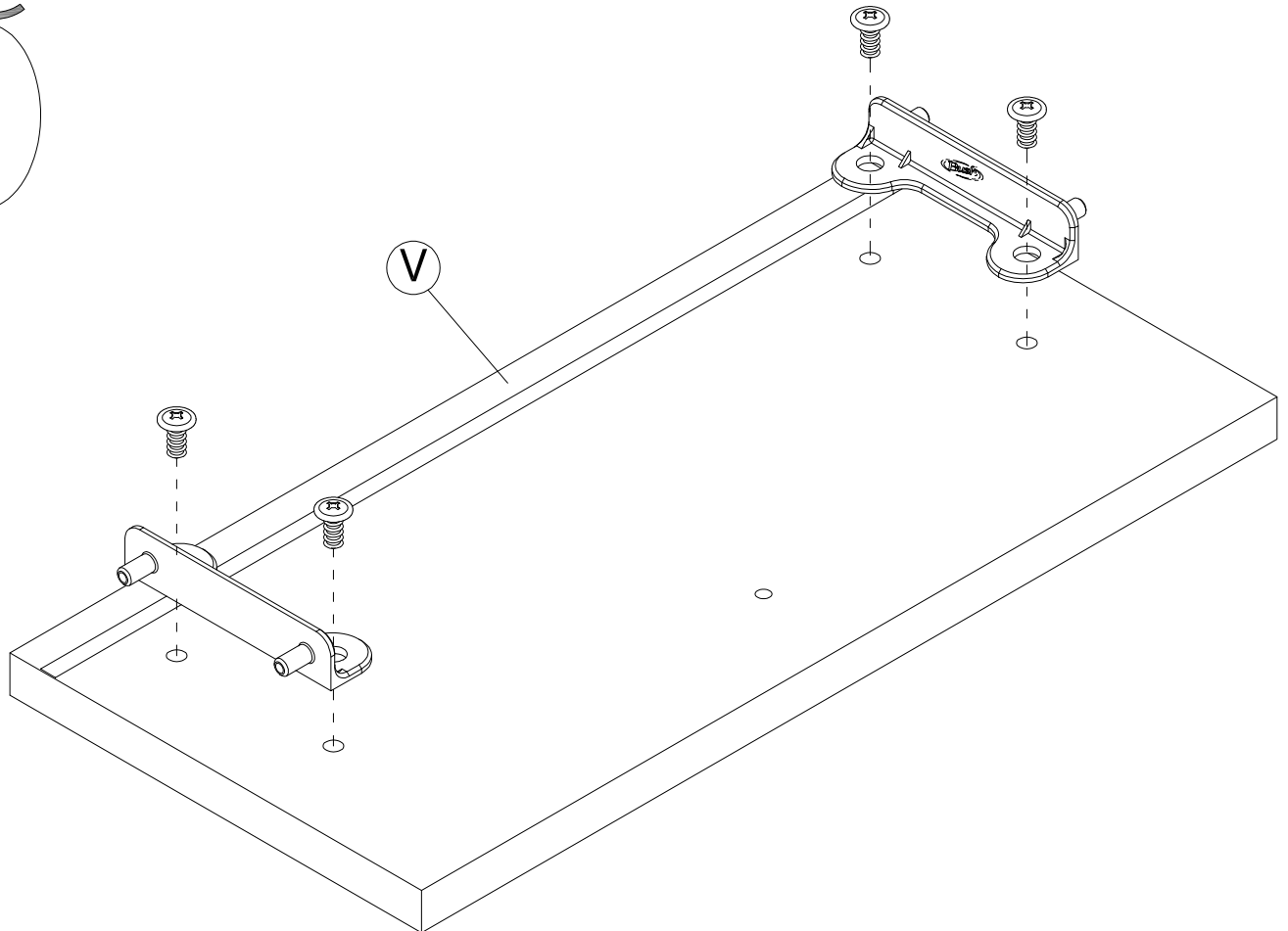
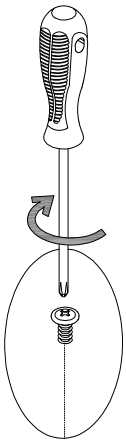
#12 x 1/2"

H100445



[2]

Drawer Bracket



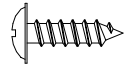
Have an assembly question or need a replacement part? Just call
1-800-950-4782, we are here to help.

STEP 2

Assemble Panels

A190464C

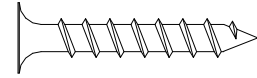
H204610



[4]

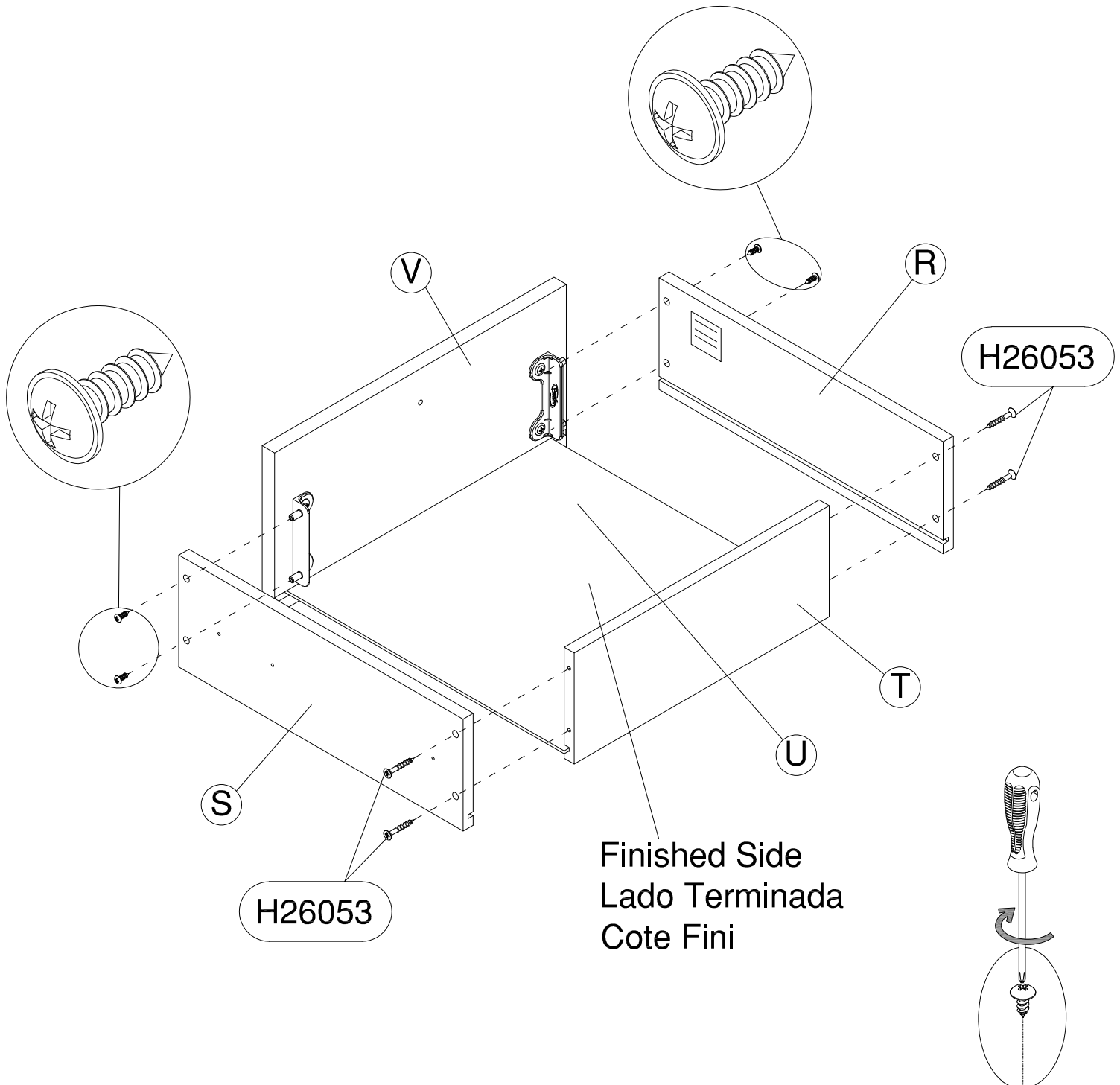
#6 x 1/2"

H26053



[4]

#10 x 1-1/4"



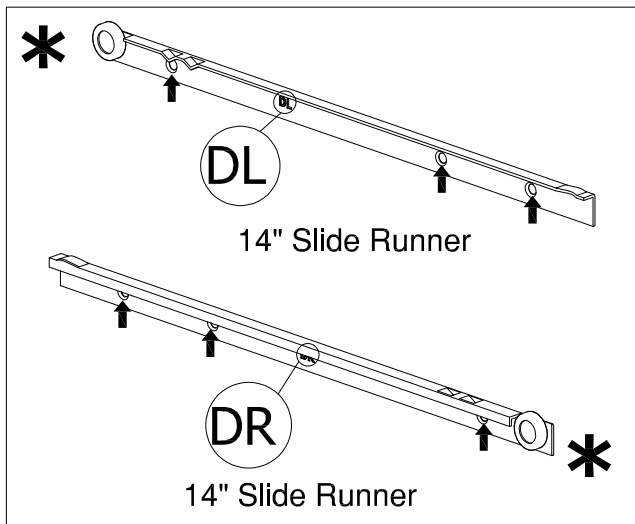
Have an assembly question or need a replacement part? Just call
1-800-950-4782, we are here to help.

STEP 3

Install Hardware

A190464C

Q89892



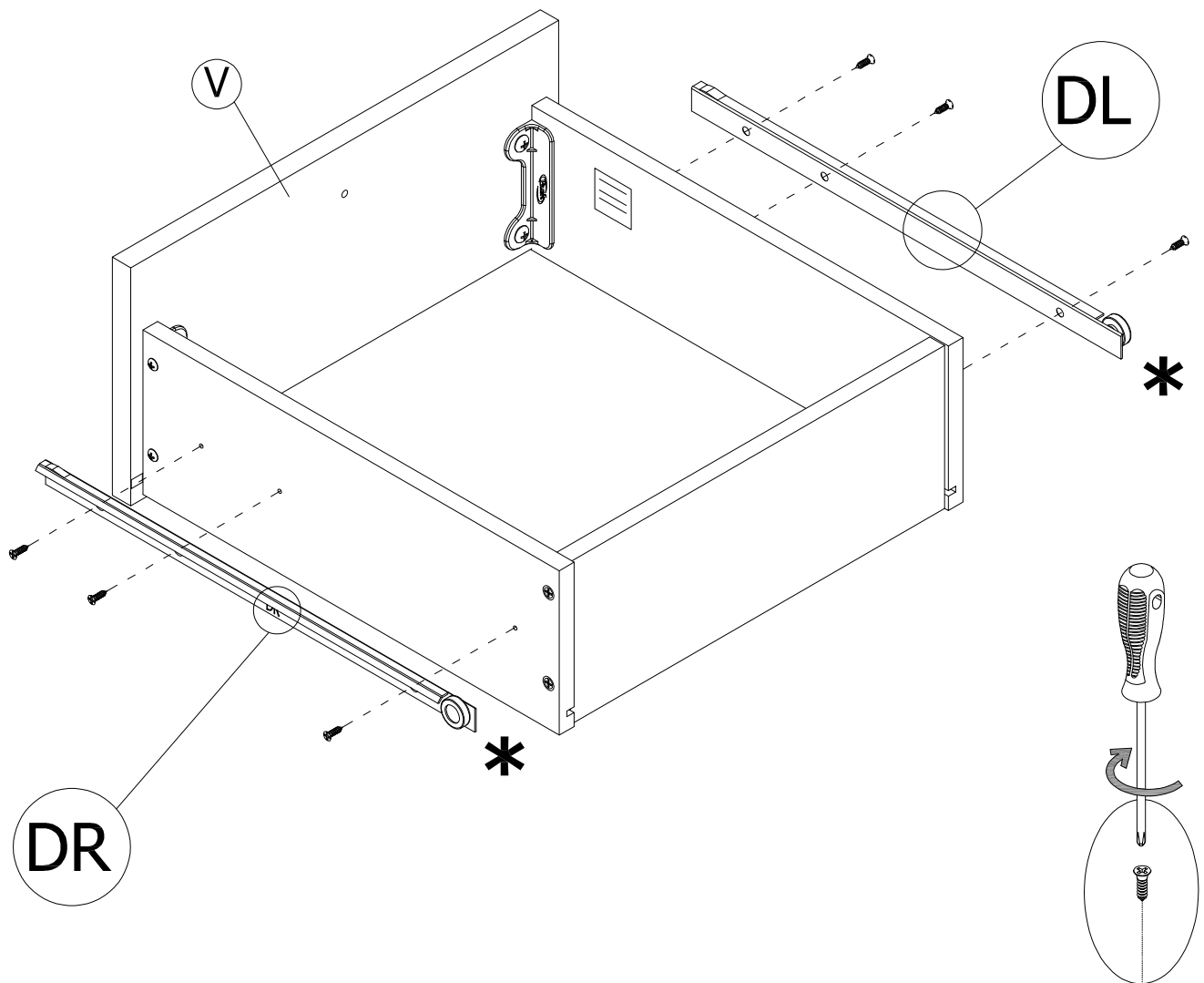
[1]

H124395



[6]

#6 x 1/2"



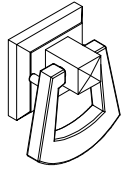
Have an assembly question or need a replacement part? Just call
1-800-950-4782, we are here to help.

STEP 4

Install Hardware

A190464C

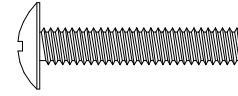
H159990



[1]

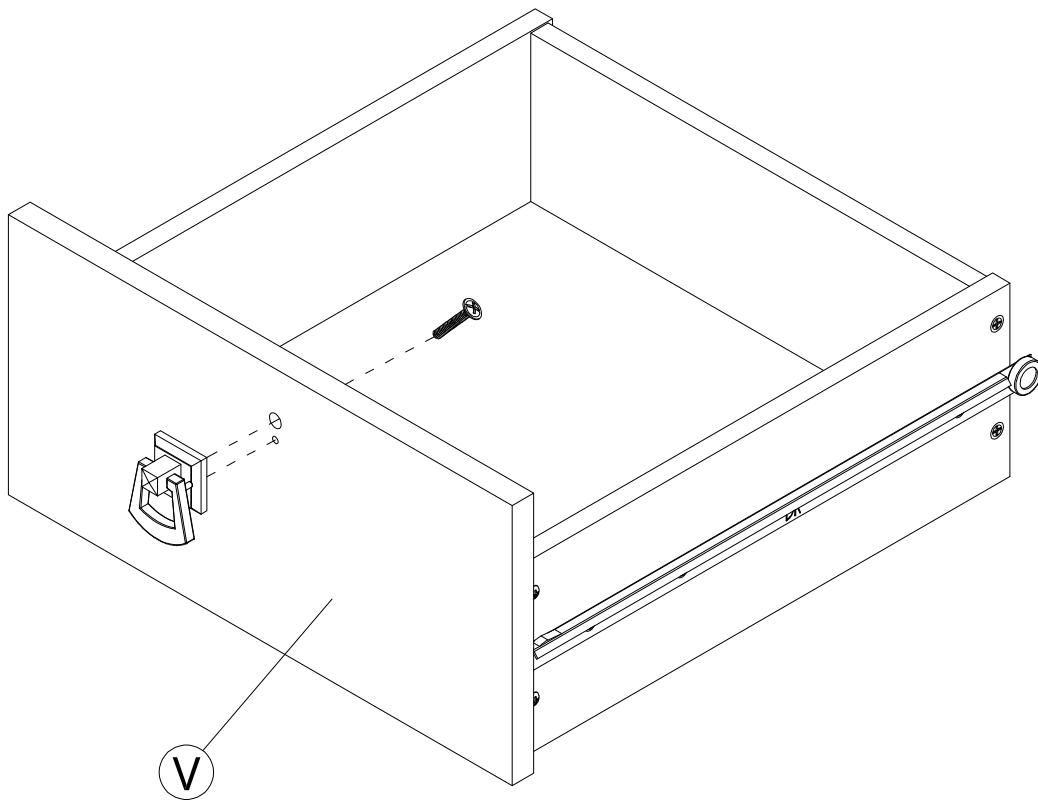
Pull

H160460



[1]

M4 x 22mm



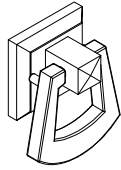
Have an assembly question or need a replacement part? Just call
1-800-950-4782, we are here to help.

STEP 5

Install Hardware

A190464C

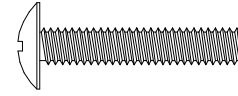
H159990



[1]

Pull

H160460



[1]

M4 x 22mm

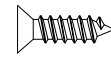
H170611



[2]

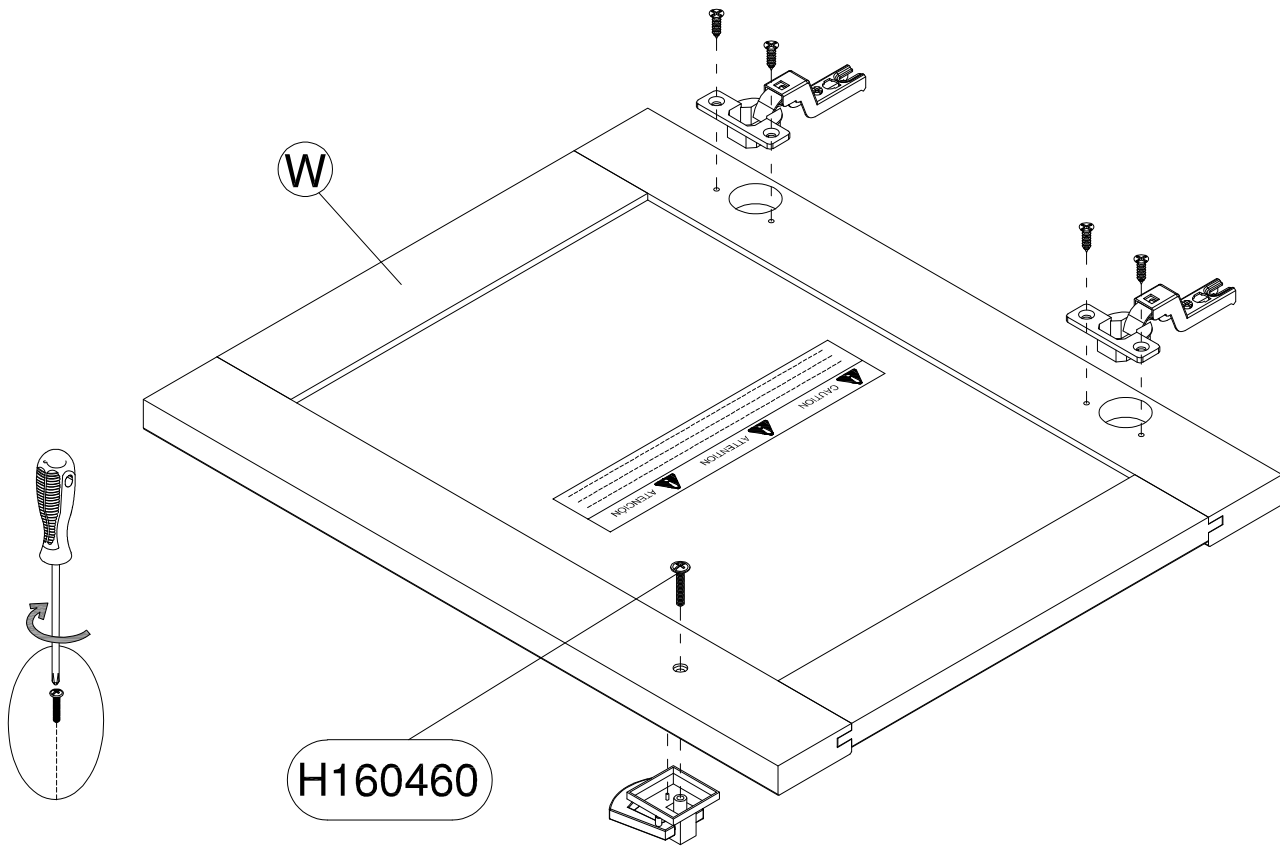
Hinge

H149996



[4]

#6 x 1/2" Zinc



CAUTION

Electronic equipment may overheat causing damage. Do Not store electronic equipment behind doors.



ATTENTION

El equipo electrónico puede sobrecalentarse y causar daños. No almacene equipos electrónicos detrás de las puertas.



ATENCIÓN

L'équipement électronique peut surchauffer et causer des dommages. Ne stockez pas d'équipement électronique derrière des portes.

C190252

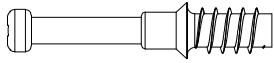
Have an assembly question or need a replacement part? Just call **1-800-950-4782**, we are here to help.

STEP 6

Prepare Panels

A190464C

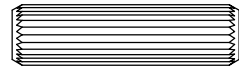
H180604



[6]

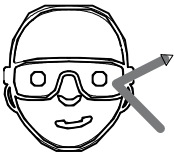
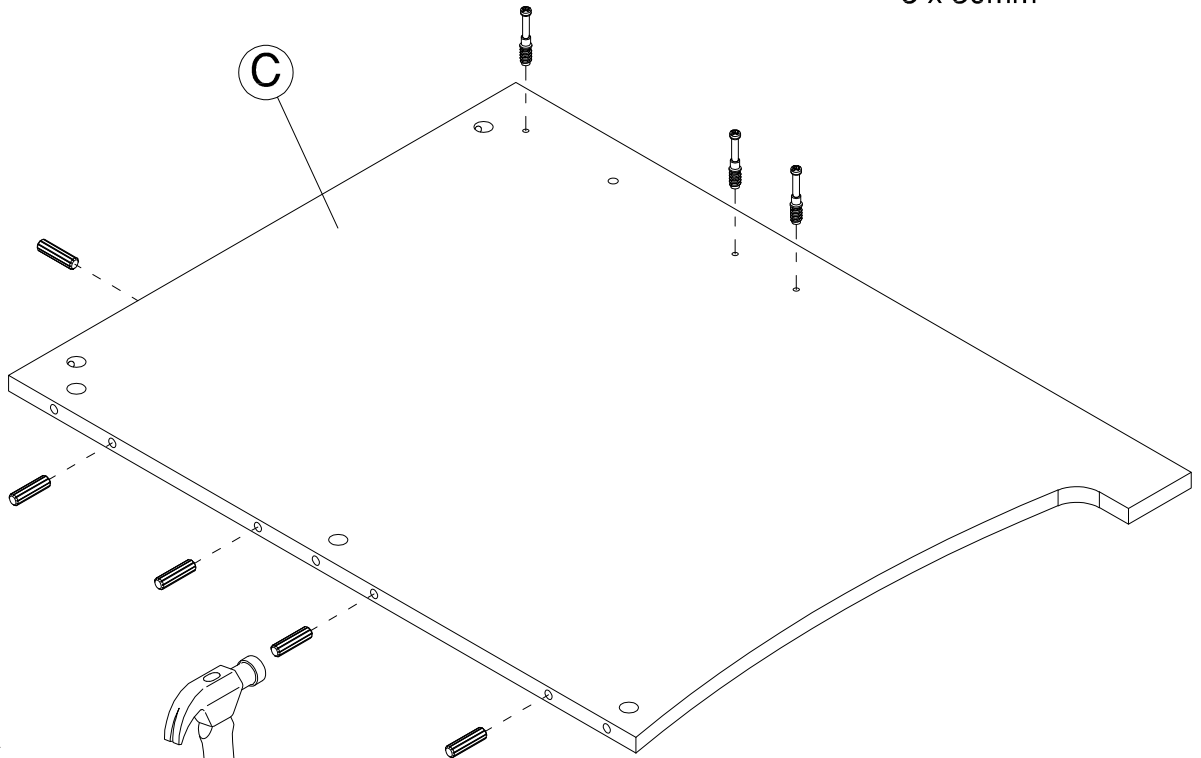
KD Bolt

H38169

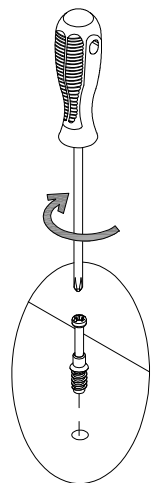
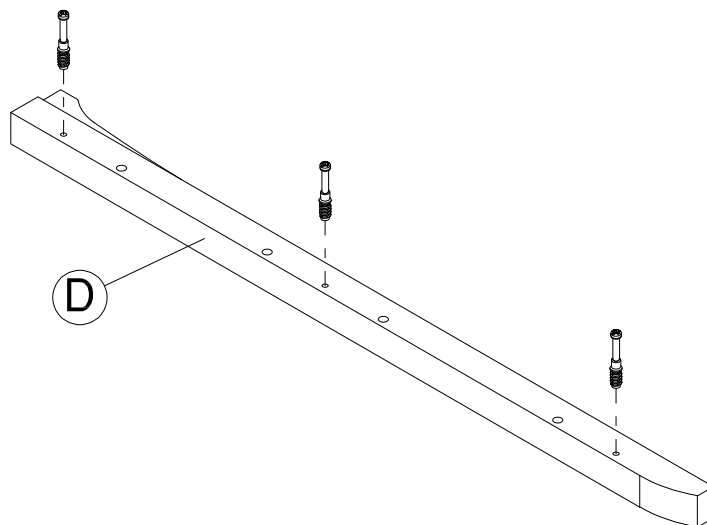


[5]

Wood Dowel
8 x 30mm



Safety glasses
Gafas de seguridad
Lunettes de protection



Have an assembly question or need a replacement part? Just call
1-800-950-4782, we are here to help.

STEP 7

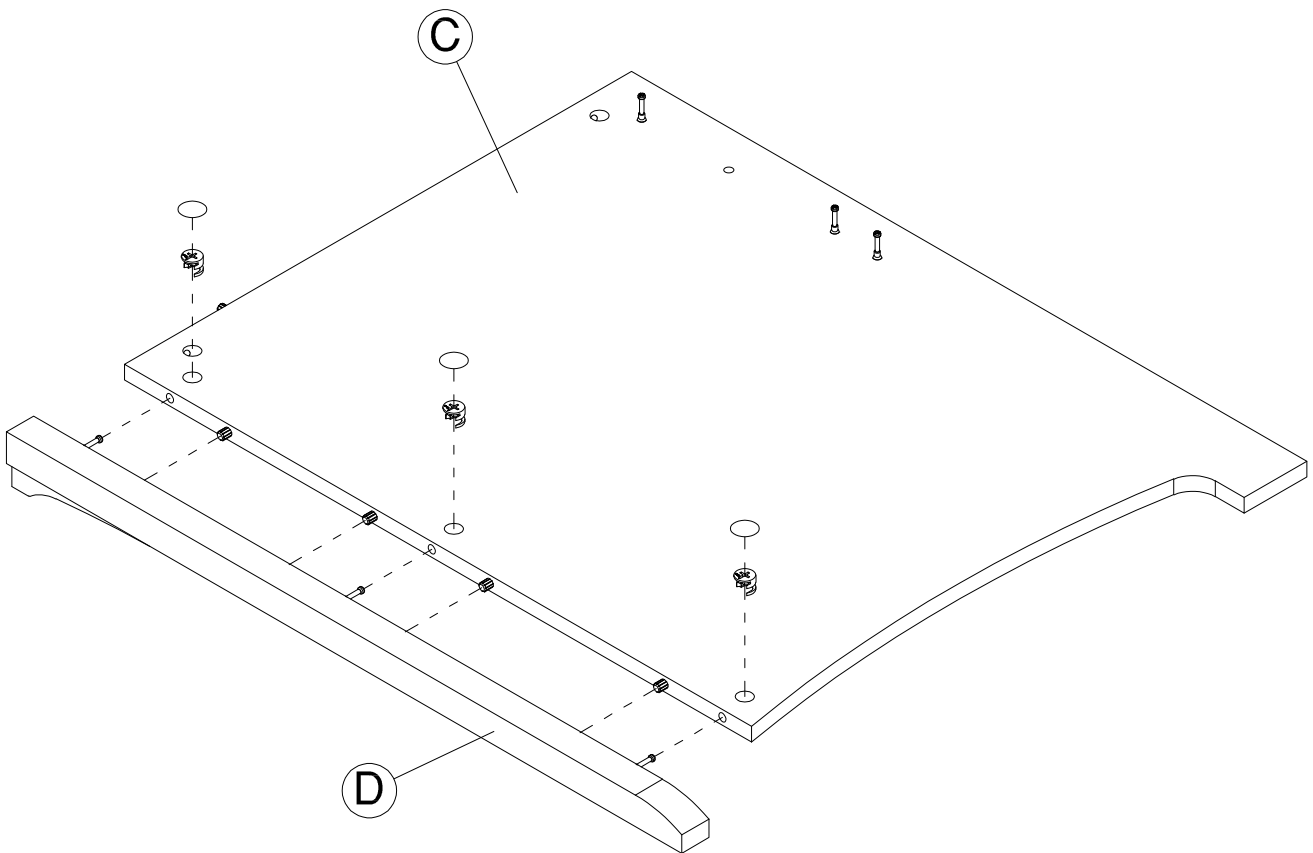
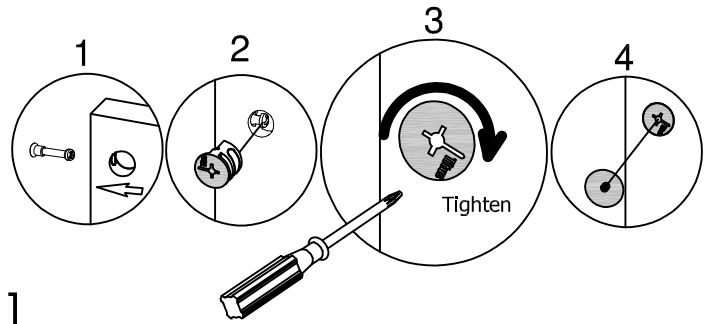
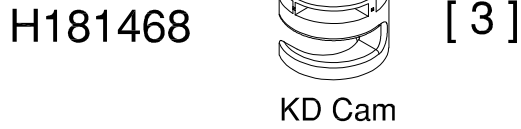
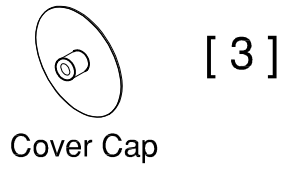
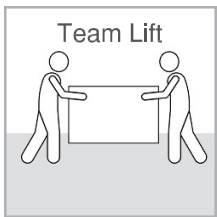
Assemble Panels

A190464C

Scan QR Code to Watch Video on:



How to Tighten KD Cams



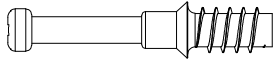
Have an assembly question or need a replacement part? Just call **1-800-950-4782**, we are here to help.

STEP 8

Prepare Panels

A190464C

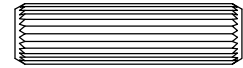
H180604



[3]

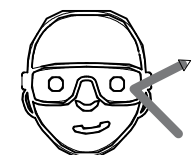
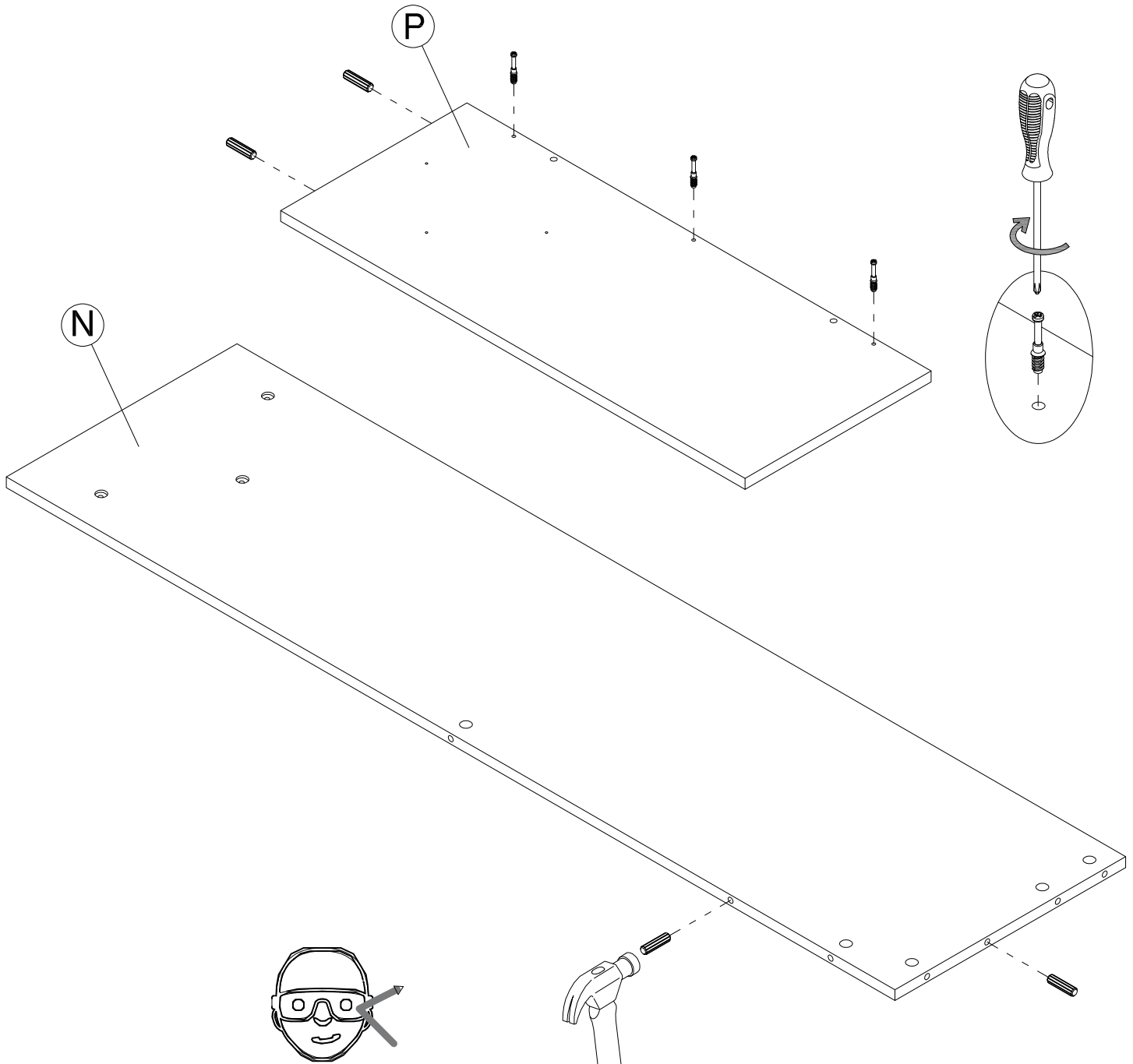
KD Bolt

H38169



[4]

Wood Dowel
8 x 30mm



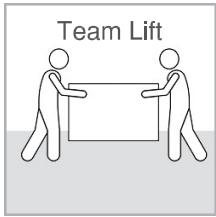
Safety glasses
Gafas de seguridad
Lunettes de protection

Have an assembly question or need a replacement part? Just call
1-800-950-4782, we are here to help.

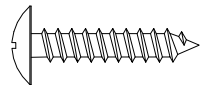
STEP 9

Assemble Panels

A190464C

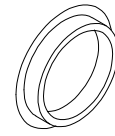


H150067



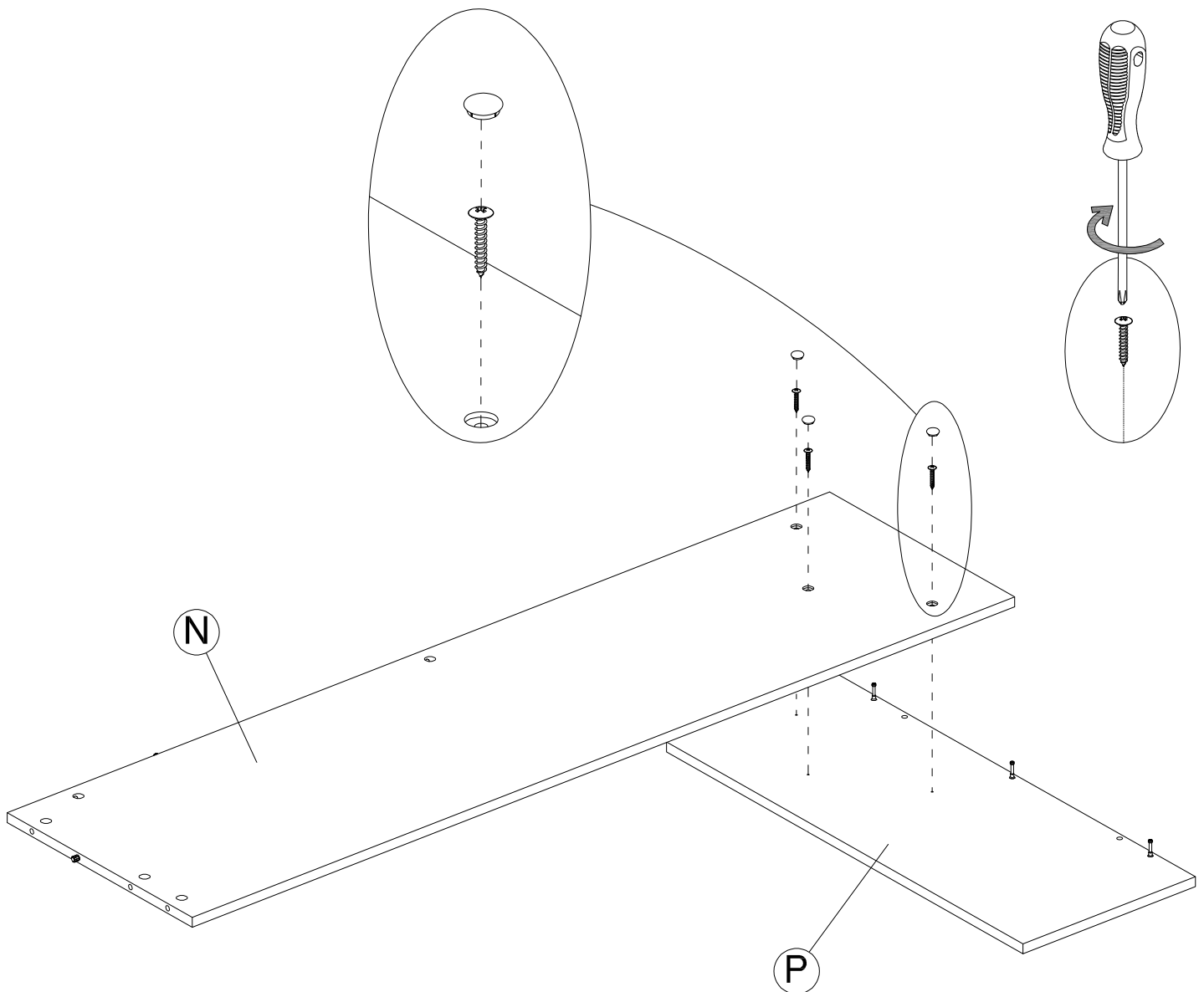
[3]

#8 x 7/8"



[3]

Hole Plug



Have an assembly question or need a replacement part? Just call
1-800-950-4782, we are here to help.

STEP 10

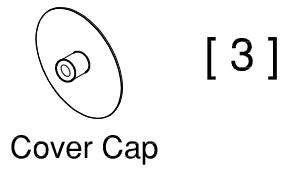
Assemble Panels

A190464C

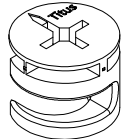
Scan QR Code to Watch Video on:



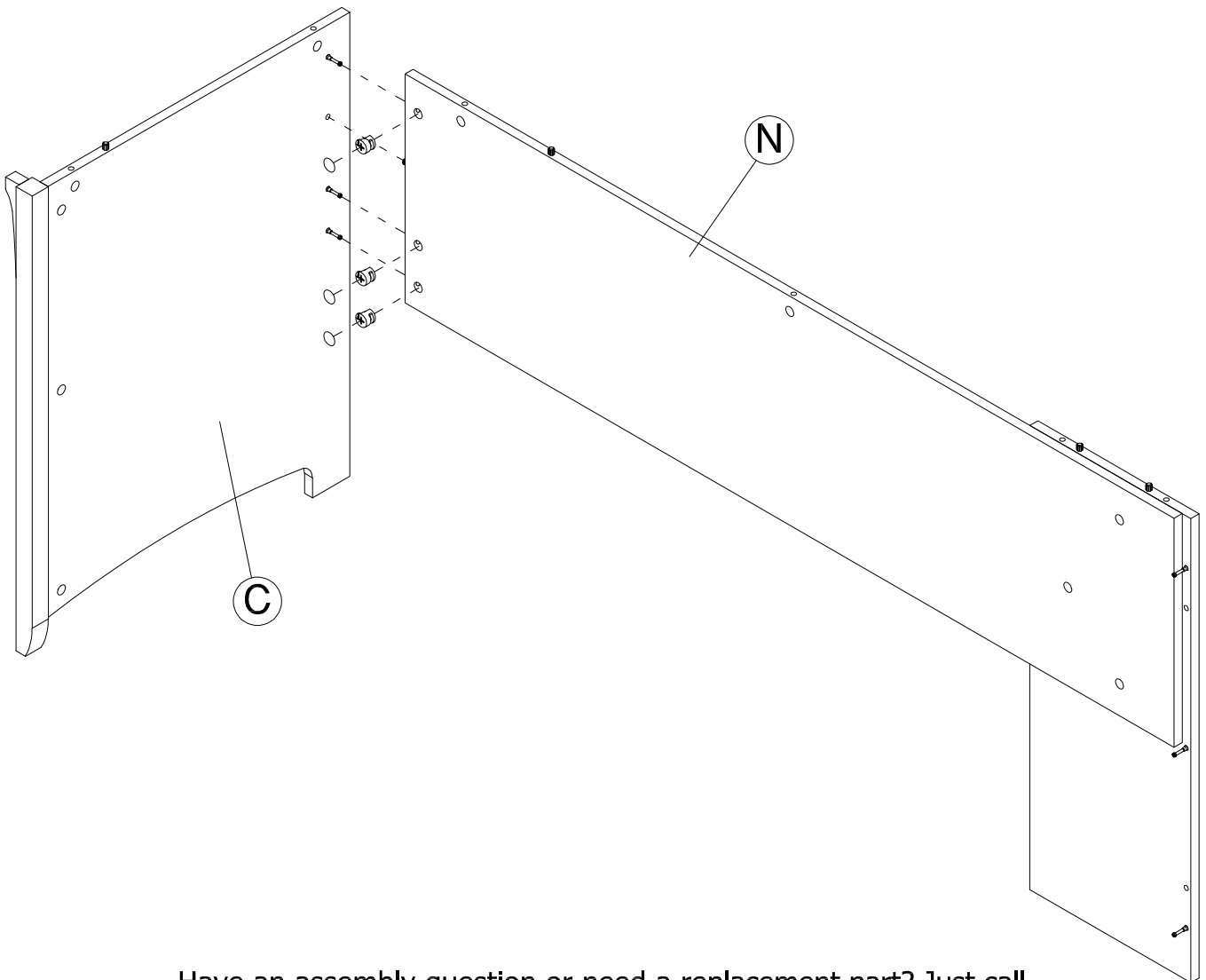
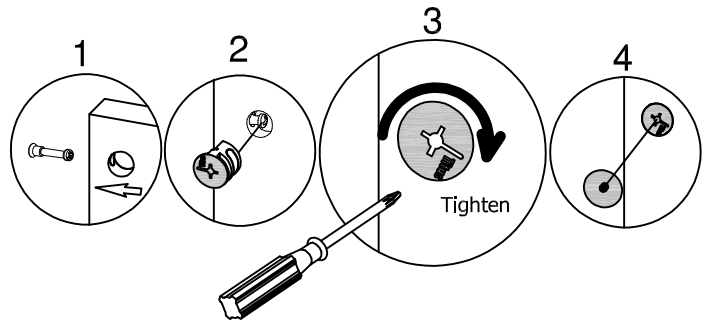
How to Tighten KD Cams



H181468



KD Cam



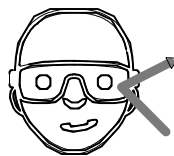
Have an assembly question or need a replacement part? Just call **1-800-950-4782**, we are here to help.

H38169

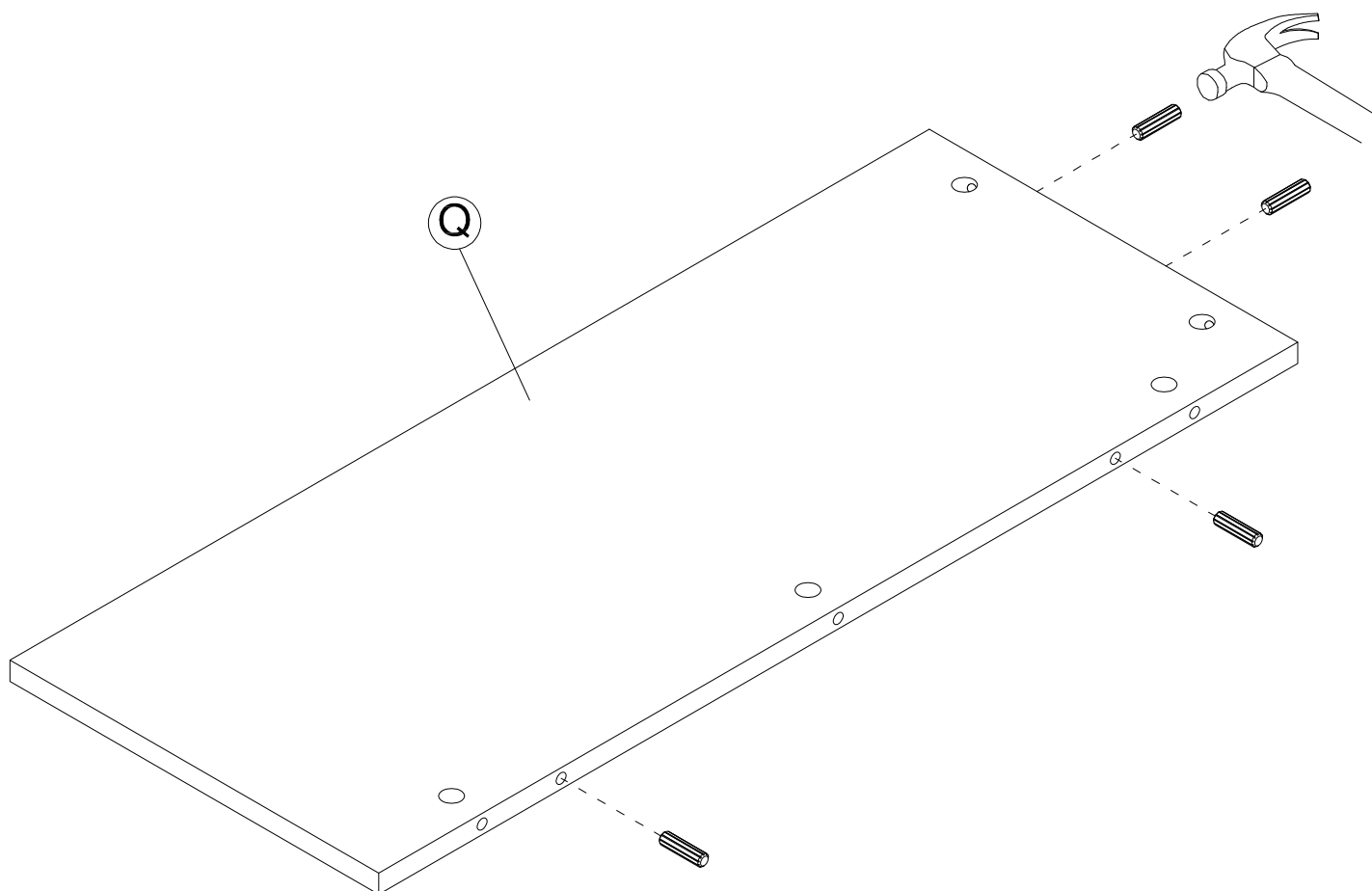


[4]

Wood Dowel
8 x 30mm



Safety glasses
Gafas de seguridad
Lunettes de protection



Have an assembly question or need a replacement part? Just call
1-800-950-4782, we are here to help.

STEP 12

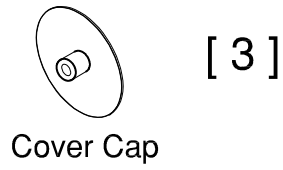
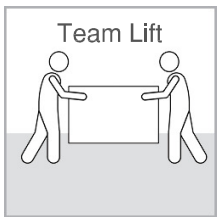
Assemble Panels

A190464C

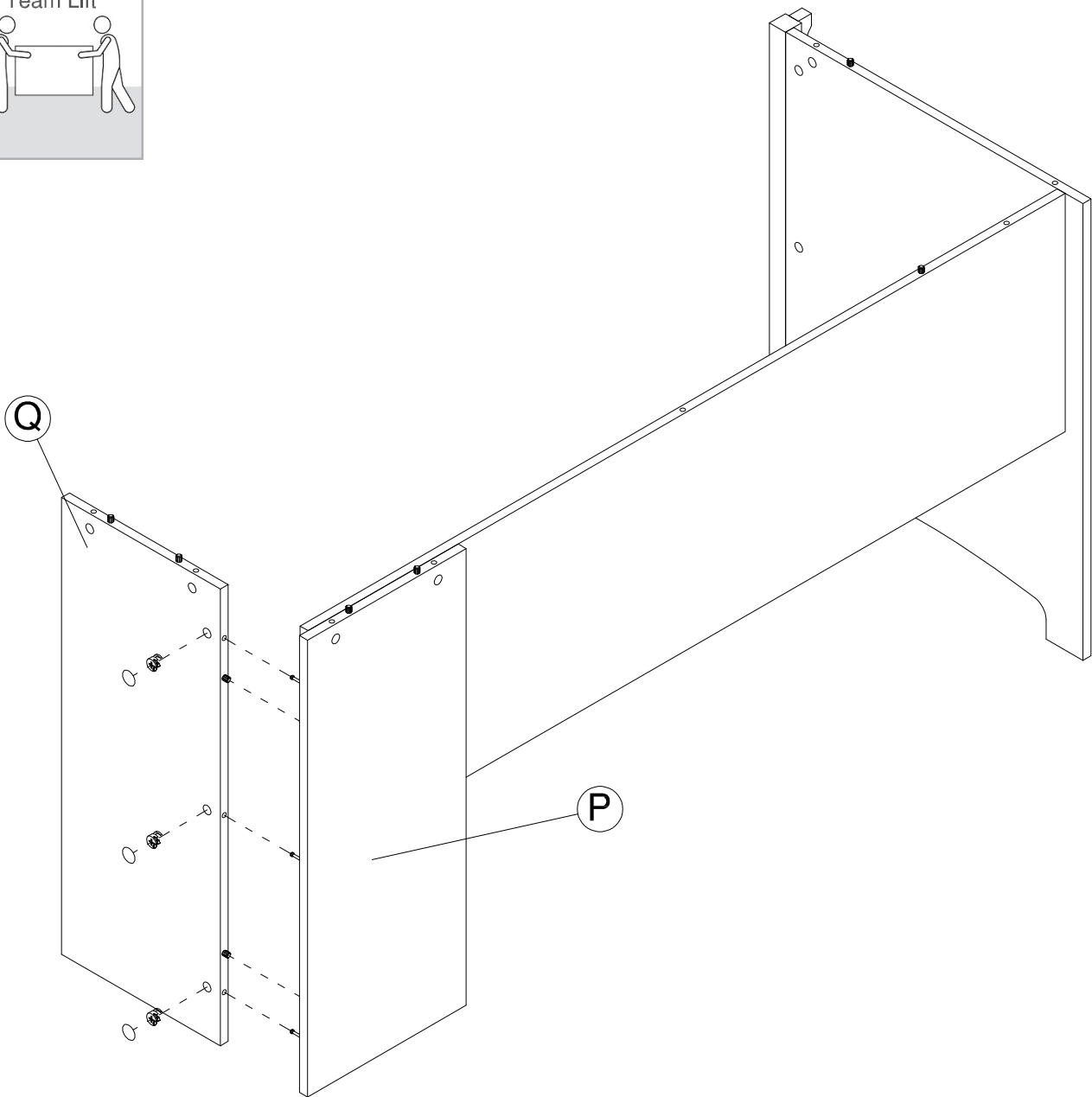
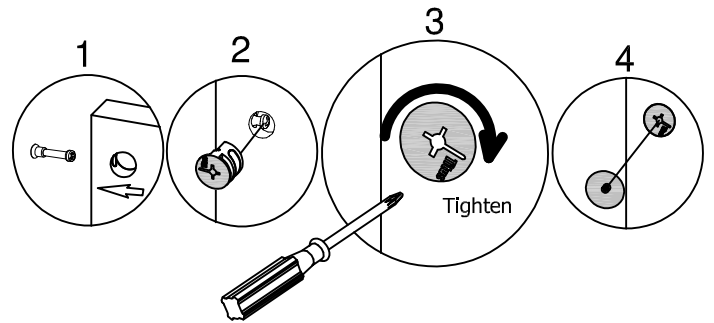
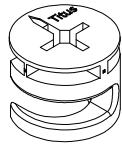
Scan QR Code to Watch Video on:



How to Tighten KD Cams



H181468



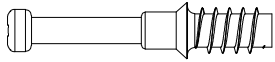
Have an assembly question or need a replacement part? Just call **1-800-950-4782**, we are here to help.

STEP 13

Prepare Panels

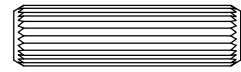
A190464C

H180604 [6]

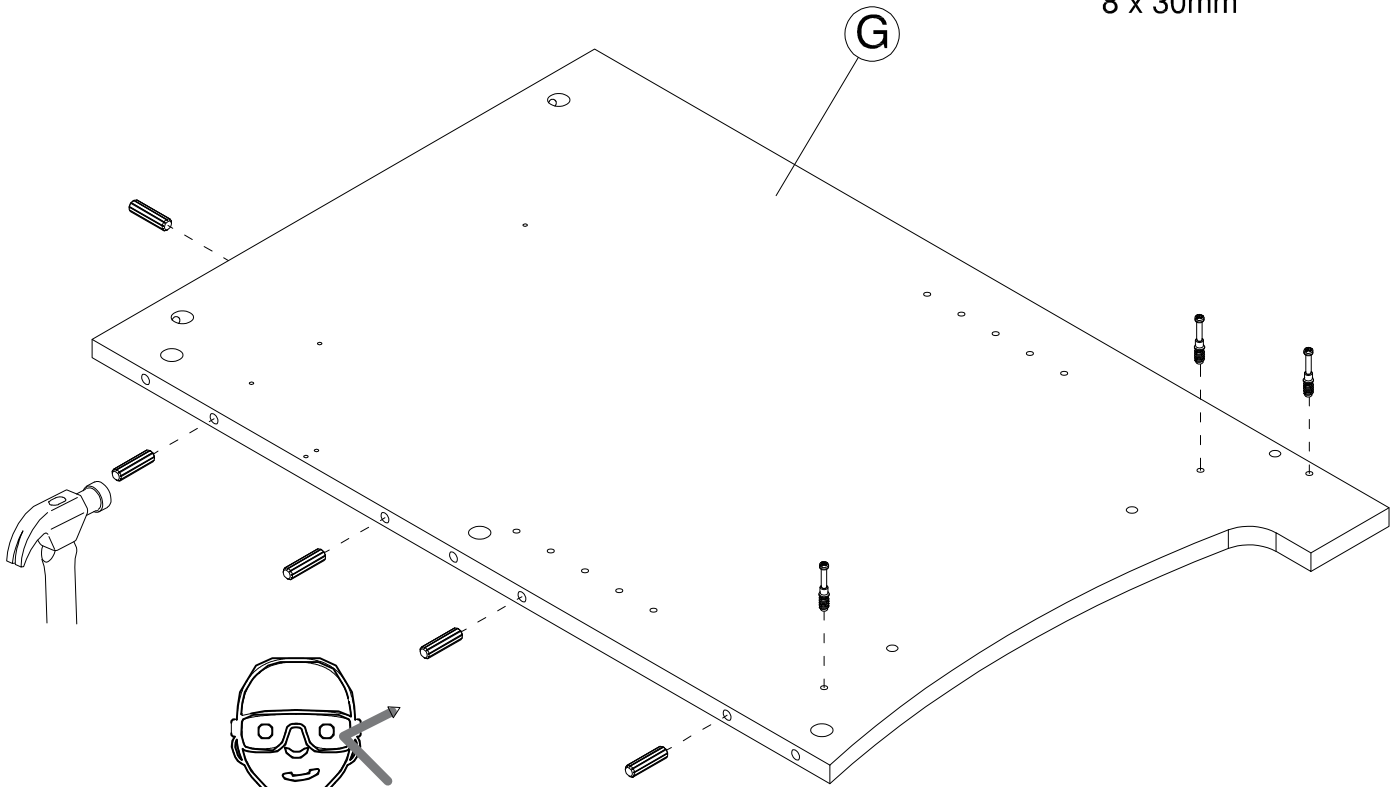


KD Bolt

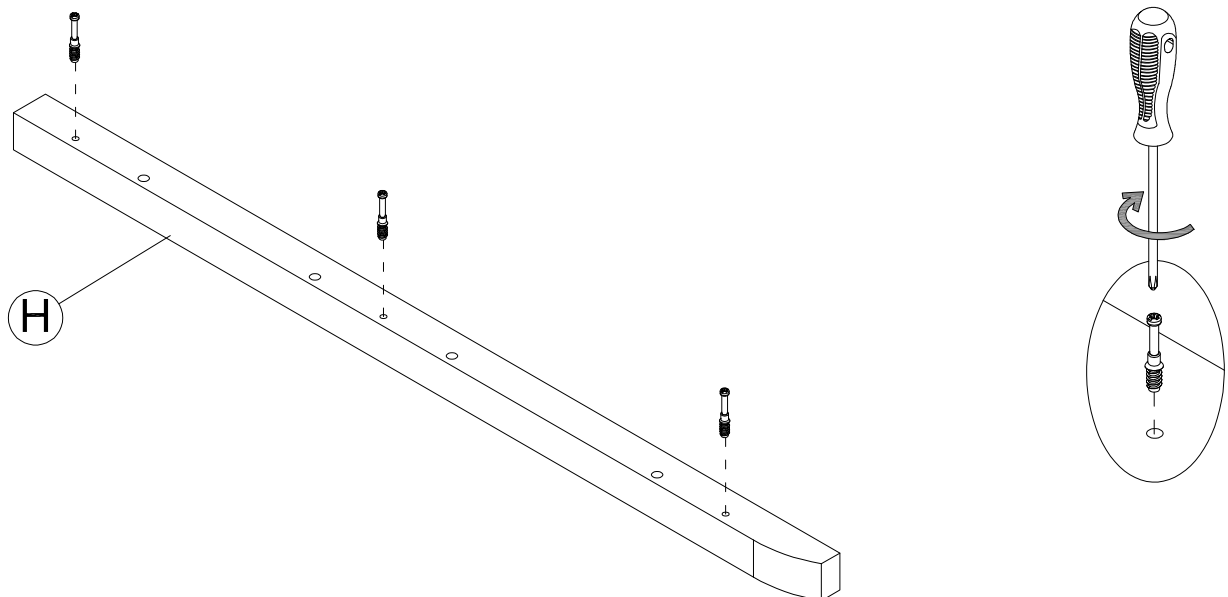
H38169 [5]



Wood Dowel
8 x 30mm



Safety glasses
Gafas de seguridad
Lunettes de protection



Have an assembly question or need a replacement part? Just call
1-800-950-4782, we are here to help.

STEP 14

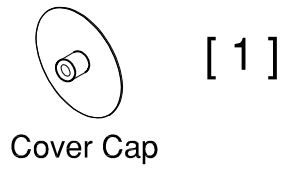
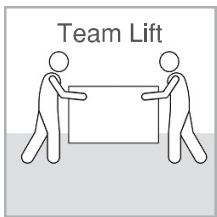
Assemble Panels

A190464C

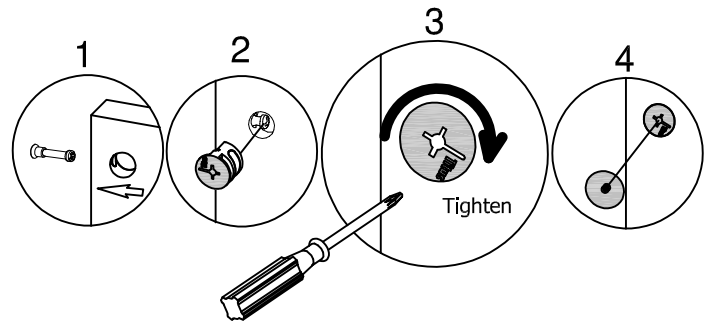
Scan QR Code to Watch Video on:



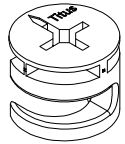
How to Tighten KD Cams



Cover Cap

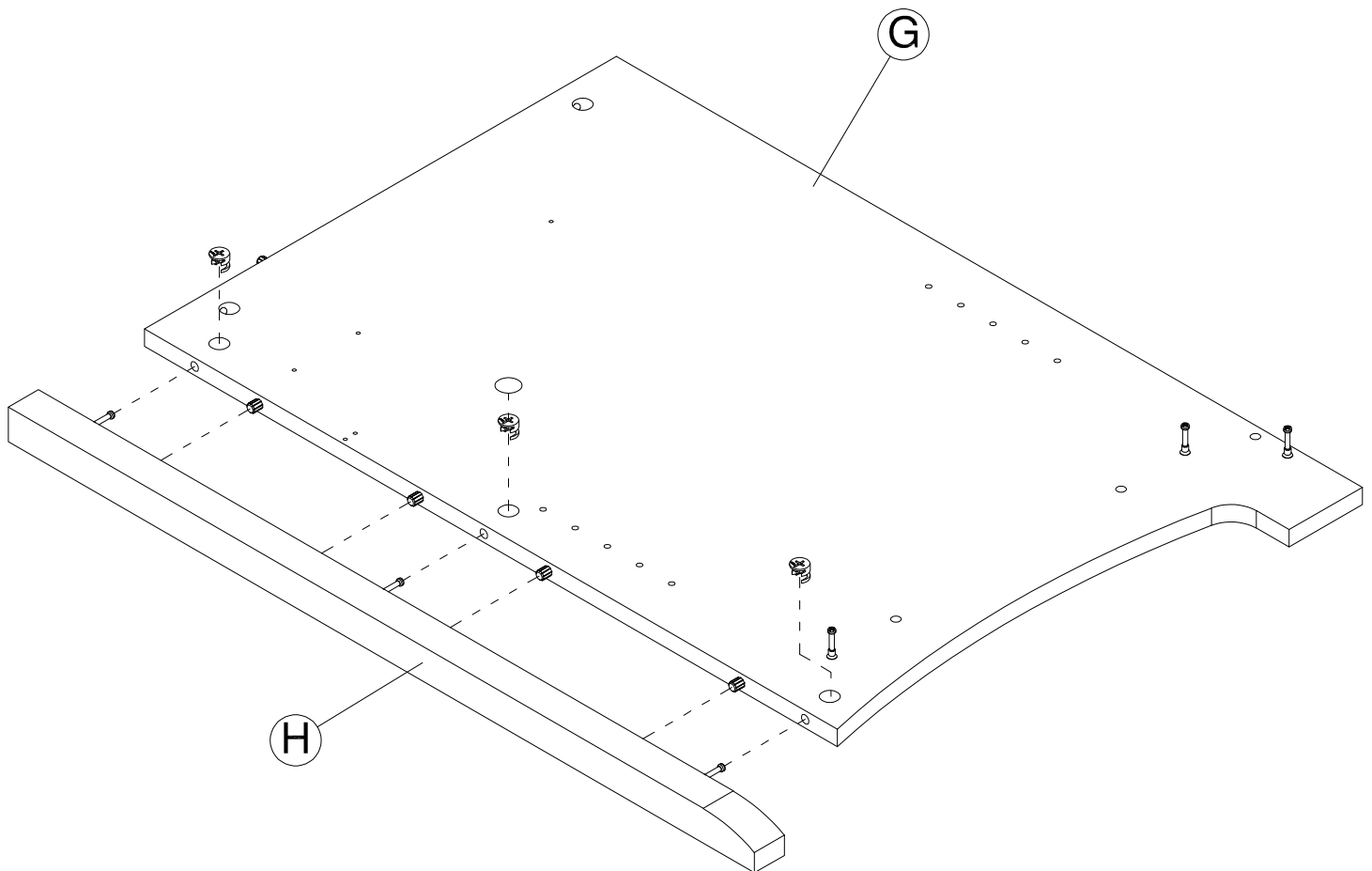


H181468



[3]

KD Cam

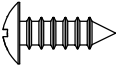


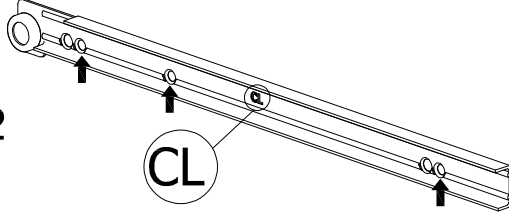
Have an assembly question or need a replacement part? Just call **1-800-950-4782**, we are here to help.

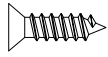
STEP 15

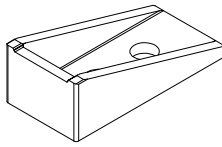
Prepare Panel


A190464C

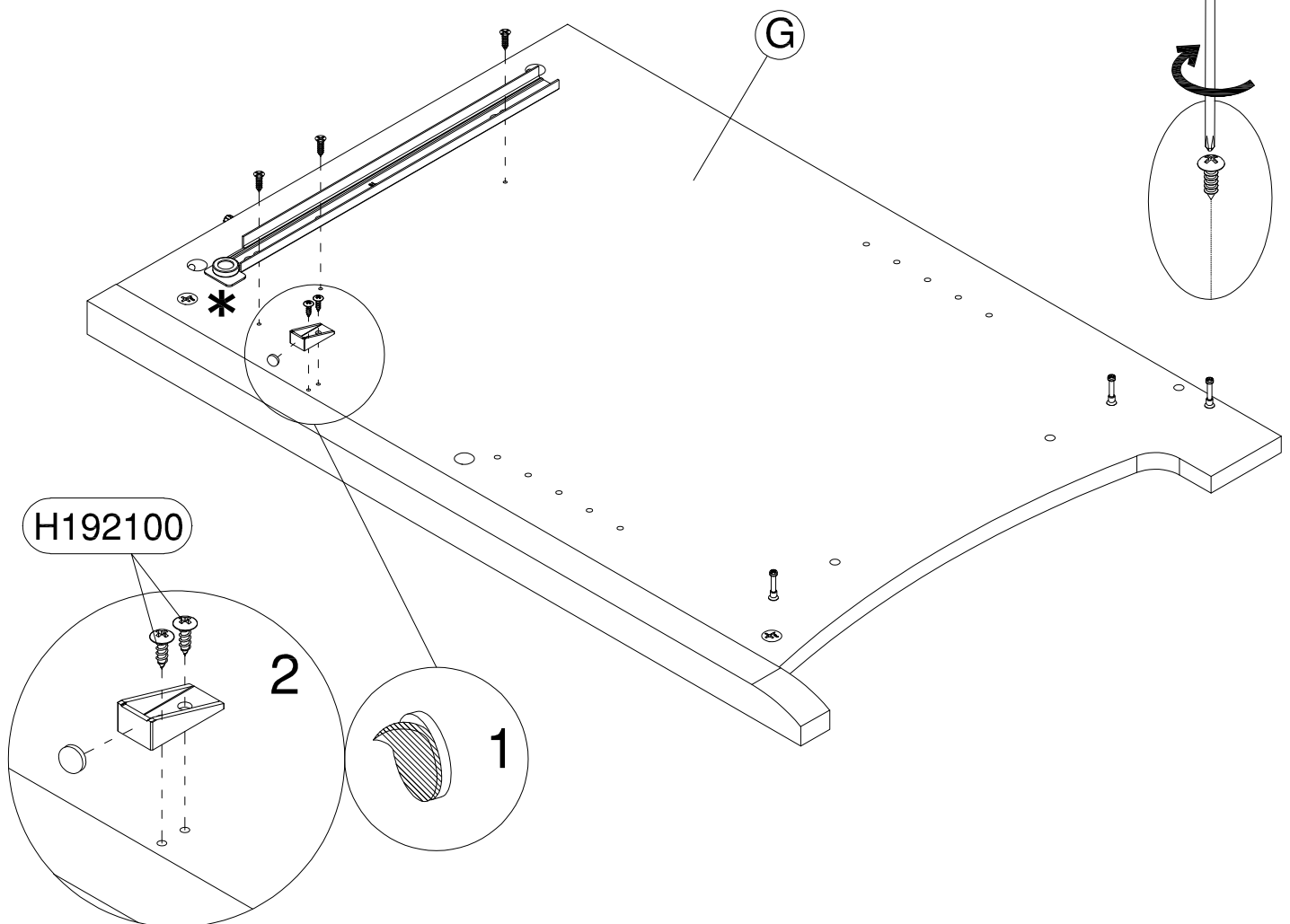
H192100  [2]
#8 x 1/2"

*  [1]
Q89892
CL
14" Slide Mount

H124395  [3]
#6 x 1/2"

H149994  [1]
Rubber Stop

H149989  [1]
Bumper



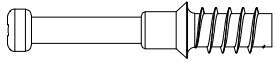
Have an assembly question or need a replacement part? Just call
1-800-950-4782, we are here to help.

STEP 16

Prepare Panels

A190464C

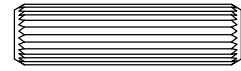
H180604



[6]

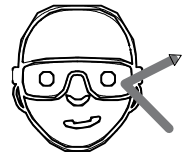
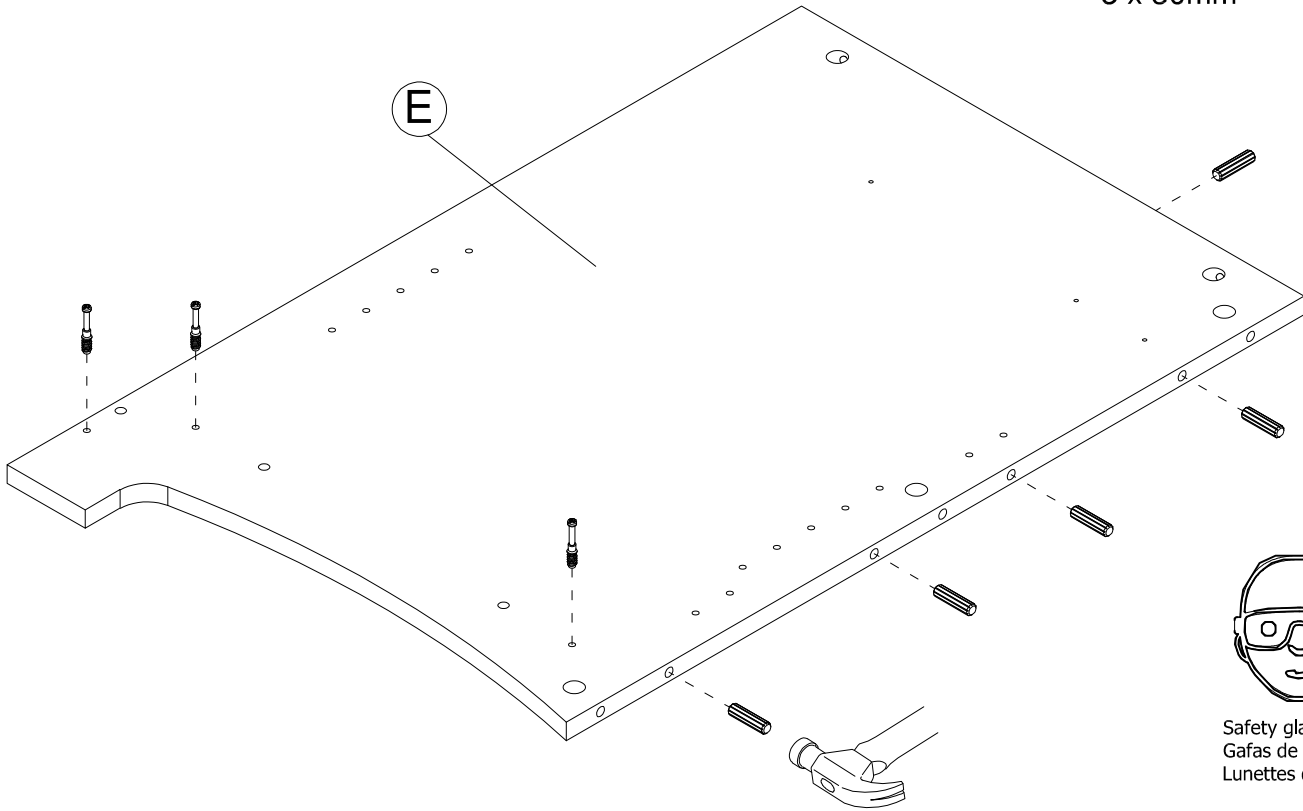
KD Bolt

H38169

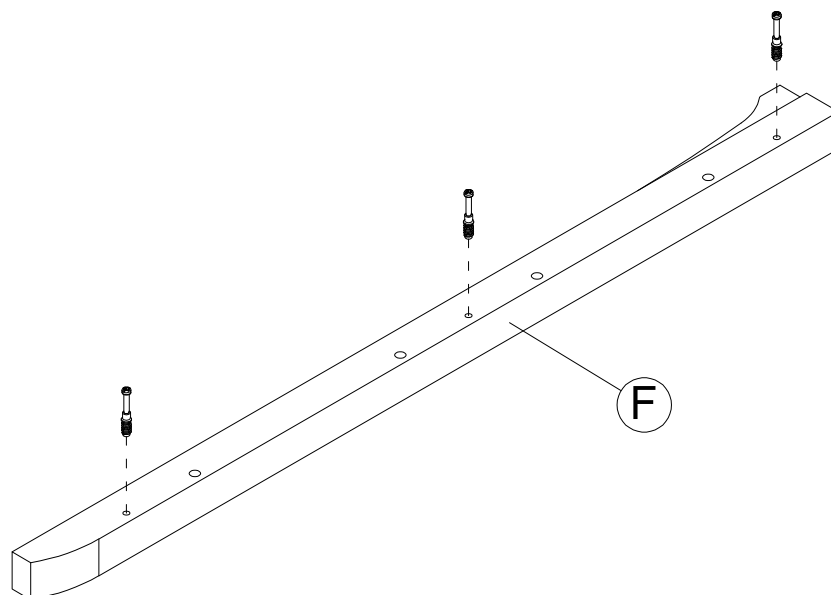
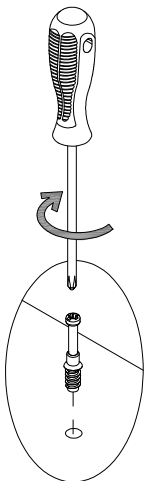


[5]

Wood Dowel
8 x 30mm



Safety glasses
Gafas de seguridad
Lunettes de protection



Have an assembly question or need a replacement part? Just call
1-800-950-4782, we are here to help.

STEP 17

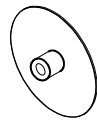
Assemble Panels

A190464C

Scan QR Code to Watch Video on:

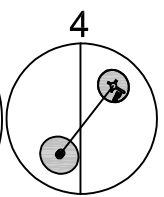
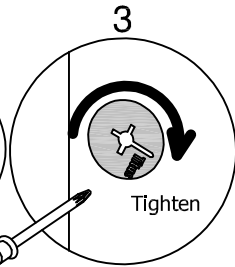
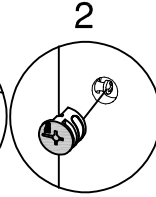
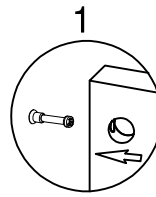


How to Tighten KD Cams



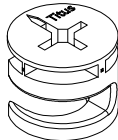
[1]

Cover Cap



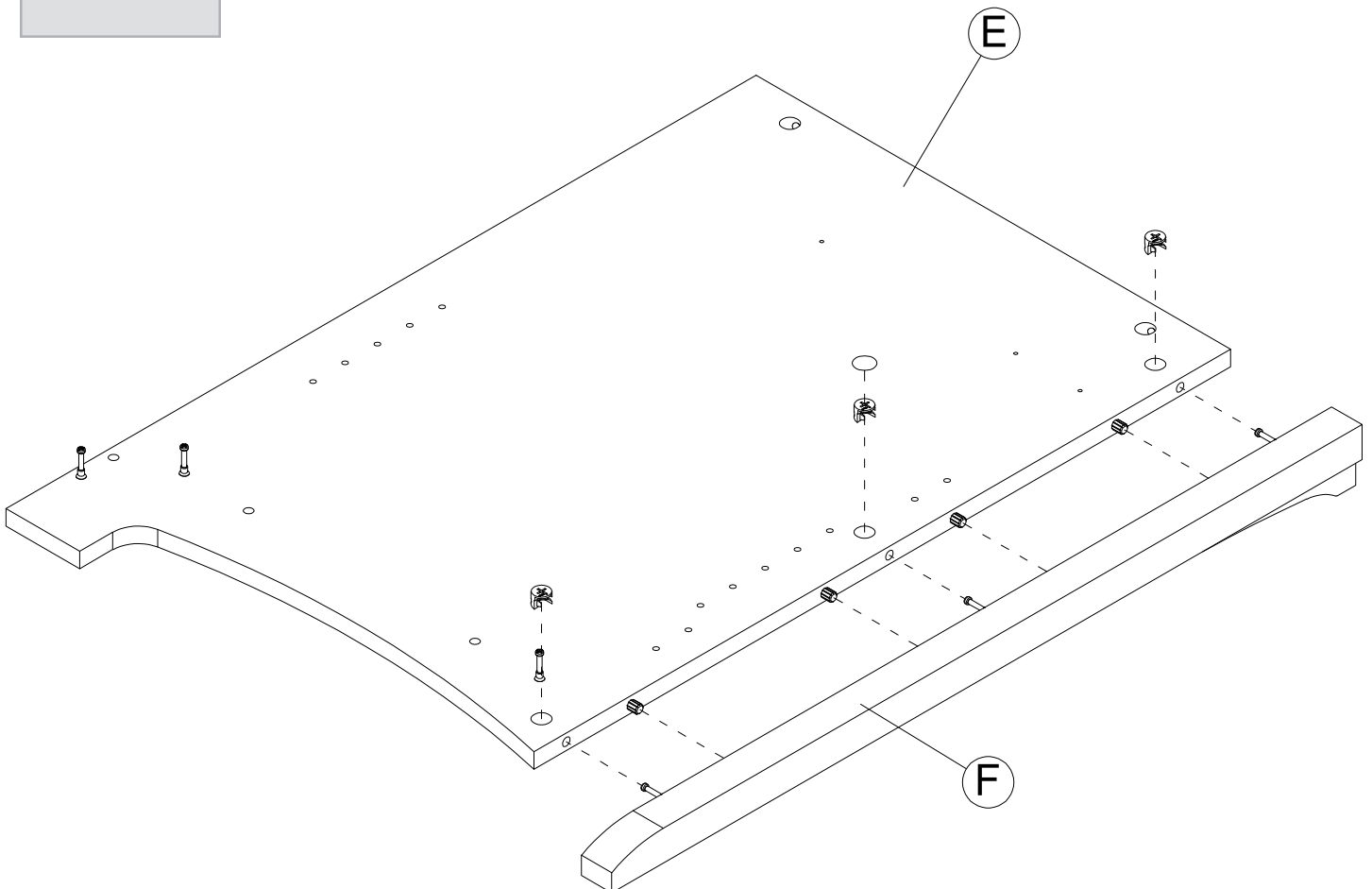
Tighten

H181468



[3]

KD Cam



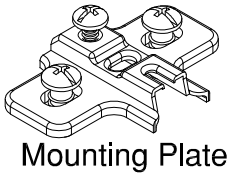
Have an assembly question or need a replacement part? Just call **1-800-950-4782**, we are here to help.

STEP 18

Prepare Panel

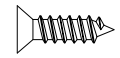
A190464C

H170612



[2]

H124395



#6 x 1/2"

[3]

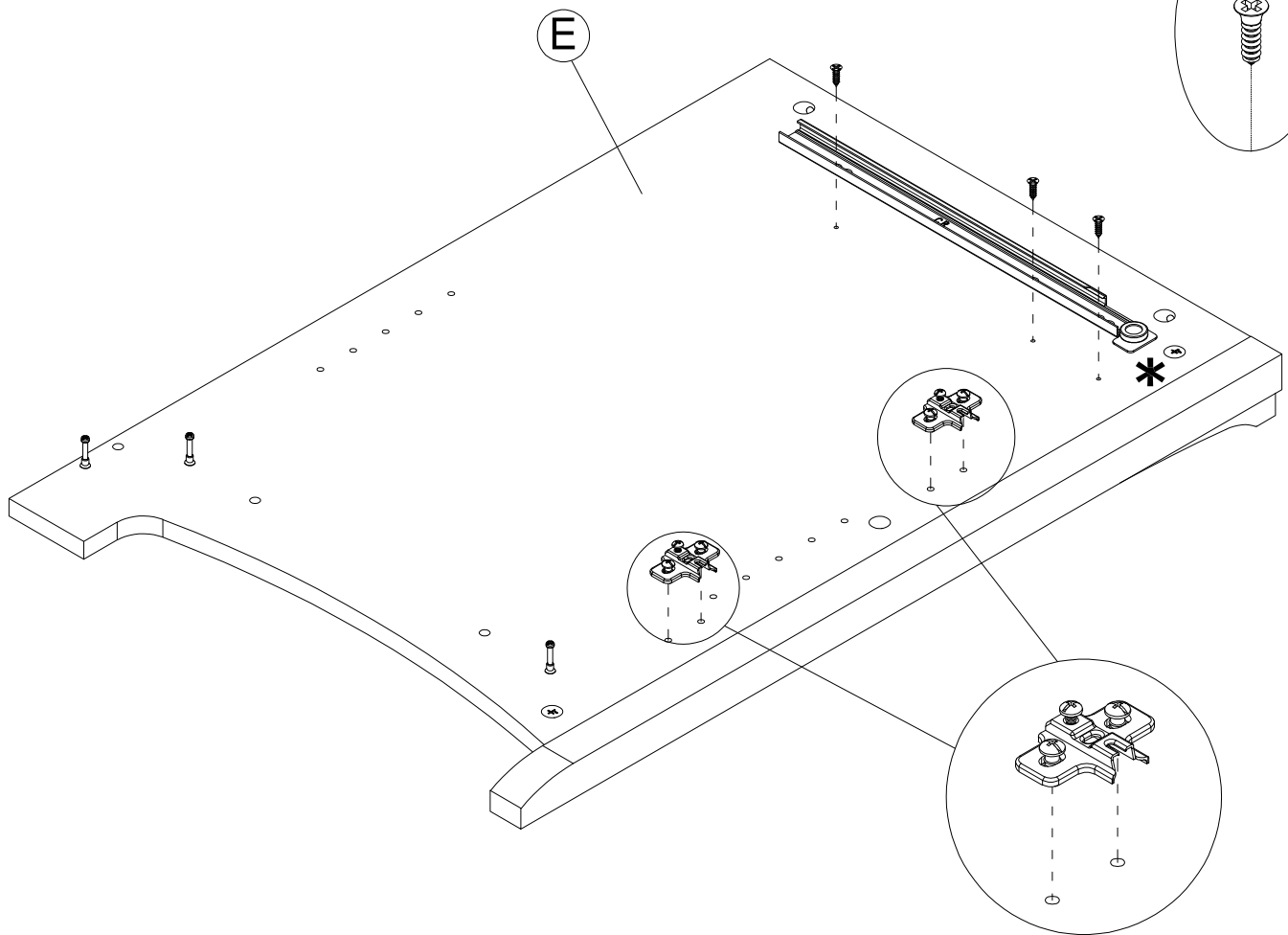
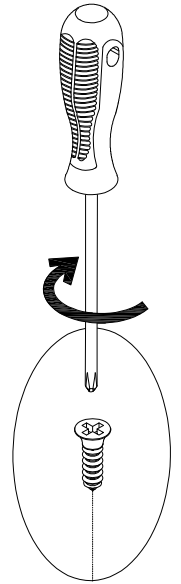
Q89892

CR

14" Slide Mount

[1]

*



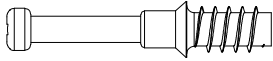
Have an assembly question or need a replacement part? Just call
1-800-950-4782, we are here to help.

STEP 19

Prepare Panels

A190464C

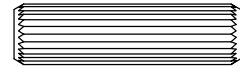
H180604



[2]

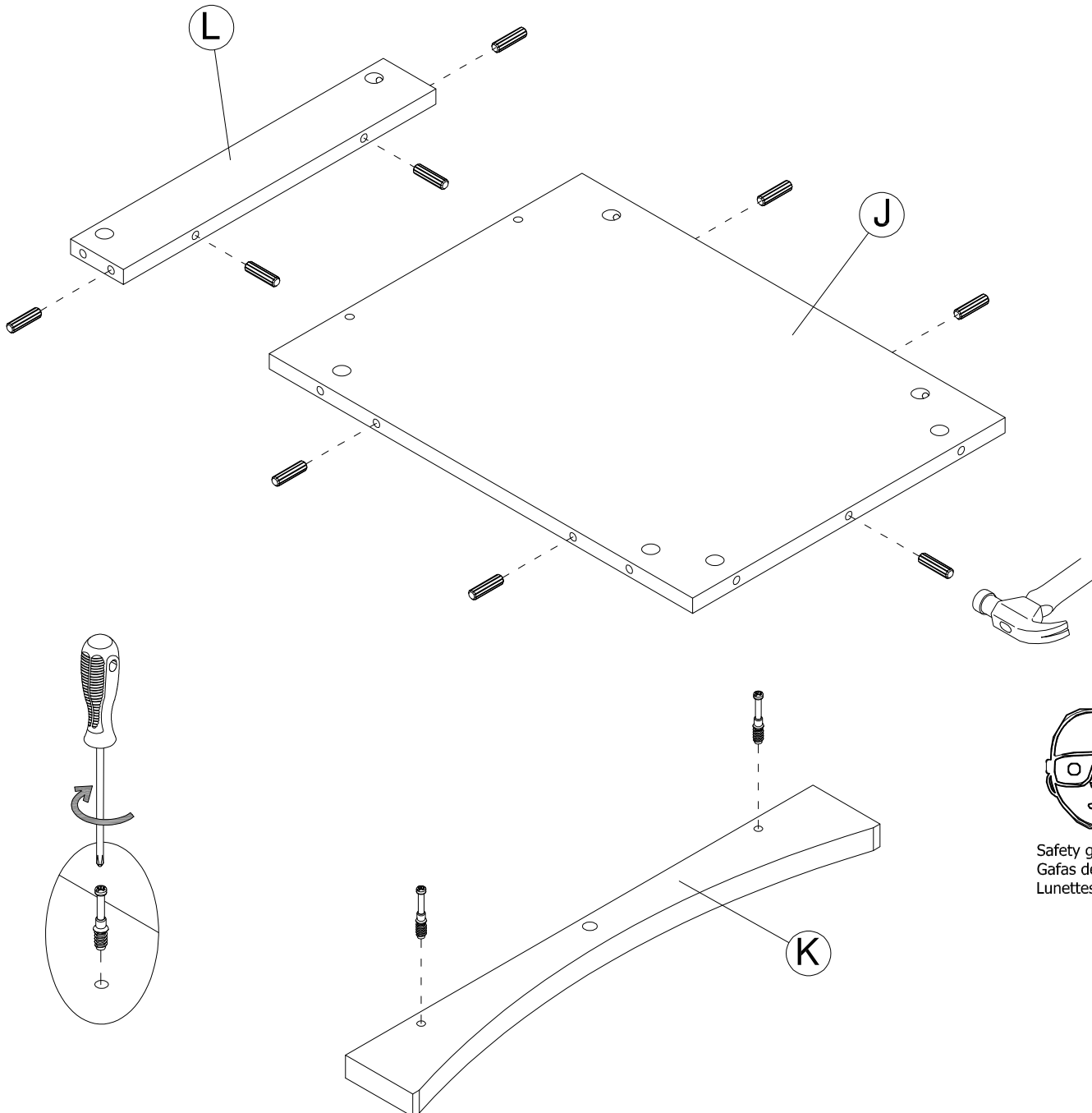
KD Bolt

H38169



[9]

Wood Dowel
8 x 30mm



Safety glasses
Gafas de seguridad
Lunettes de protection

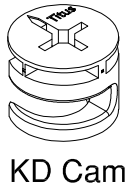
Have an assembly question or need a replacement part? Just call
1-800-950-4782, we are here to help.

Scan QR Code to Watch Video on:

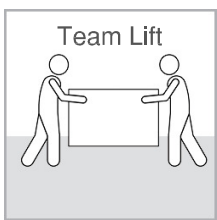
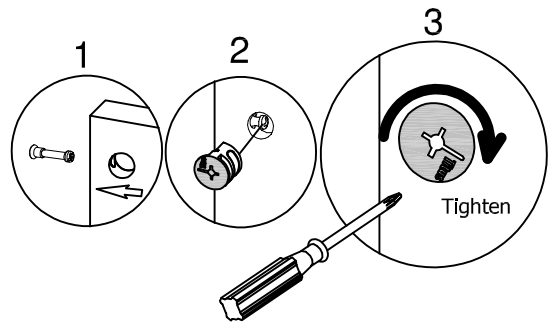


How to Tighten KD Cams

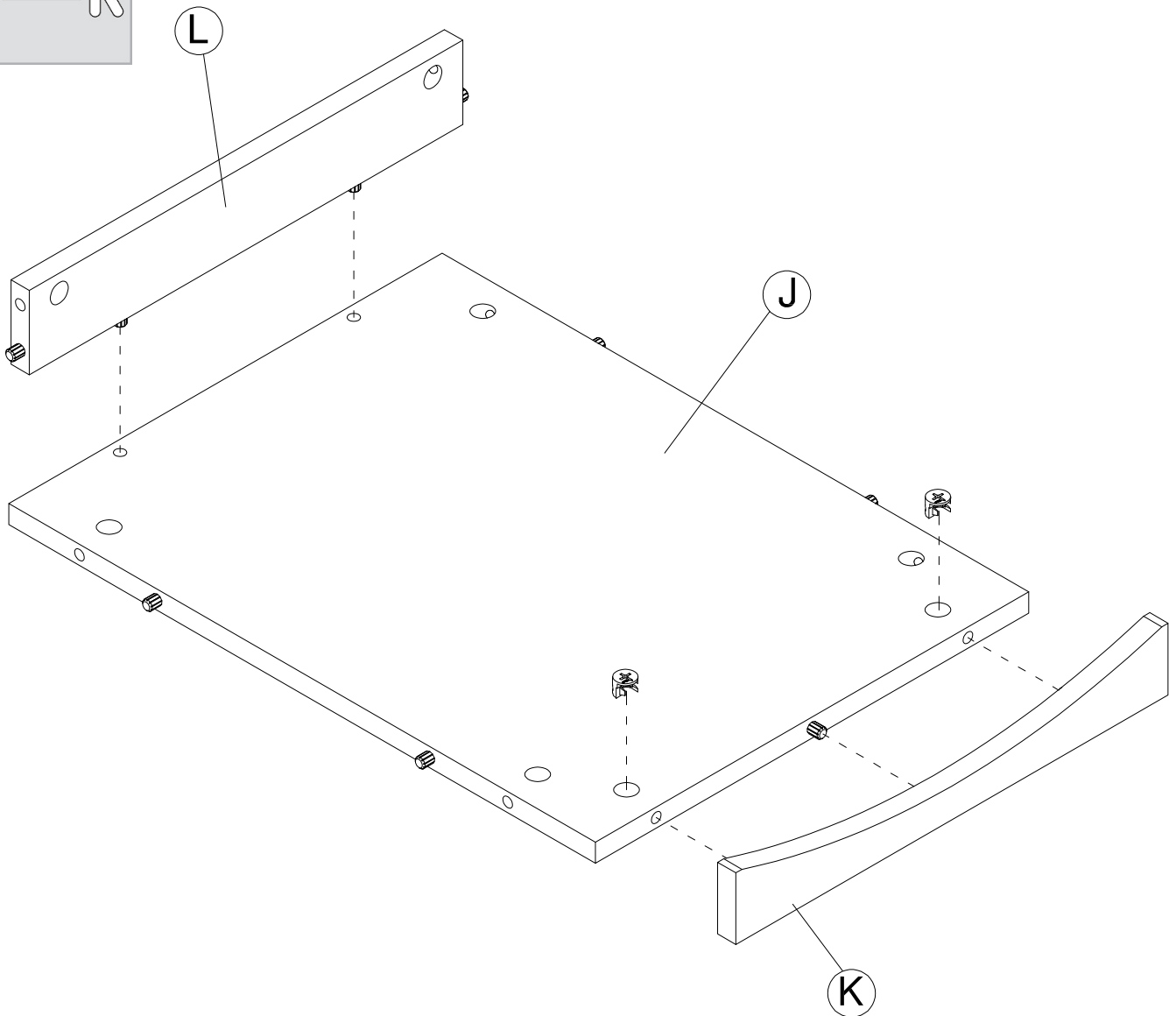
H181468



[2]



Team Lift

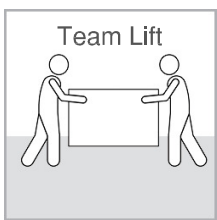


Have an assembly question or need a replacement part? Just call **1-800-950-4782**, we are here to help.

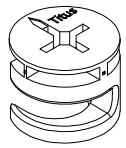
Scan QR Code to Watch Video on:



How to Tighten KD Cams

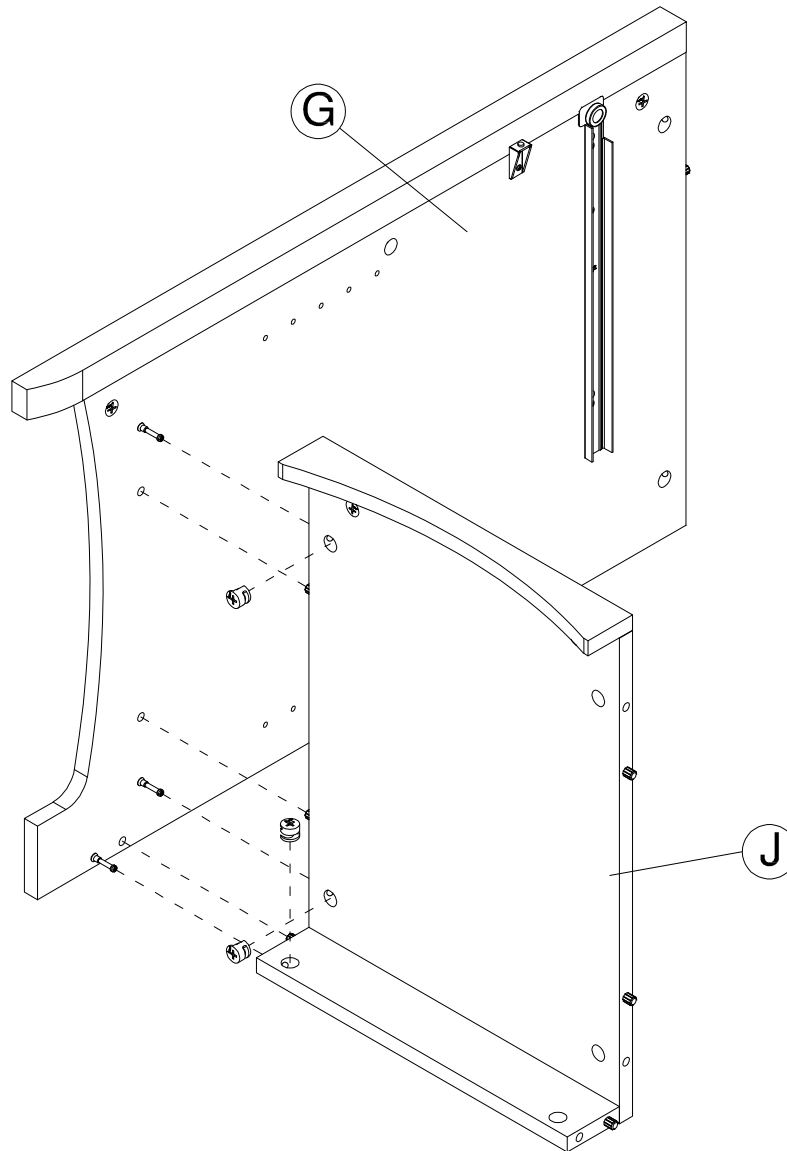
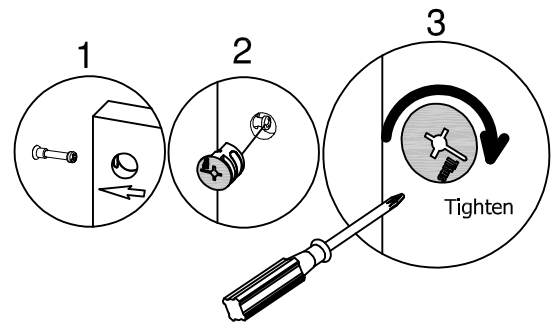


H181468



KD Cam

[3]



Have an assembly question or need a replacement part? Just call **1-800-950-4782**, we are here to help.

STEP 22

Assemble Panels

A190464C

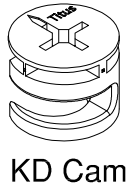
Scan QR Code to Watch Video on:



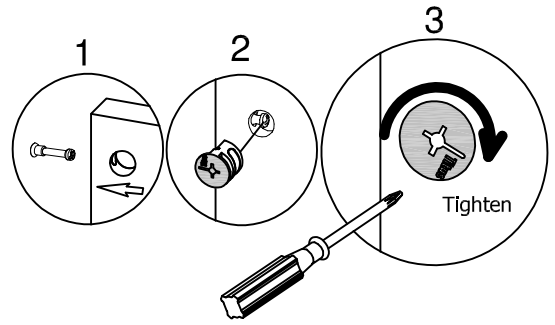
How to Tighten KD Cams



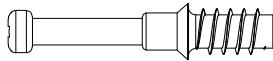
H181468



[3]

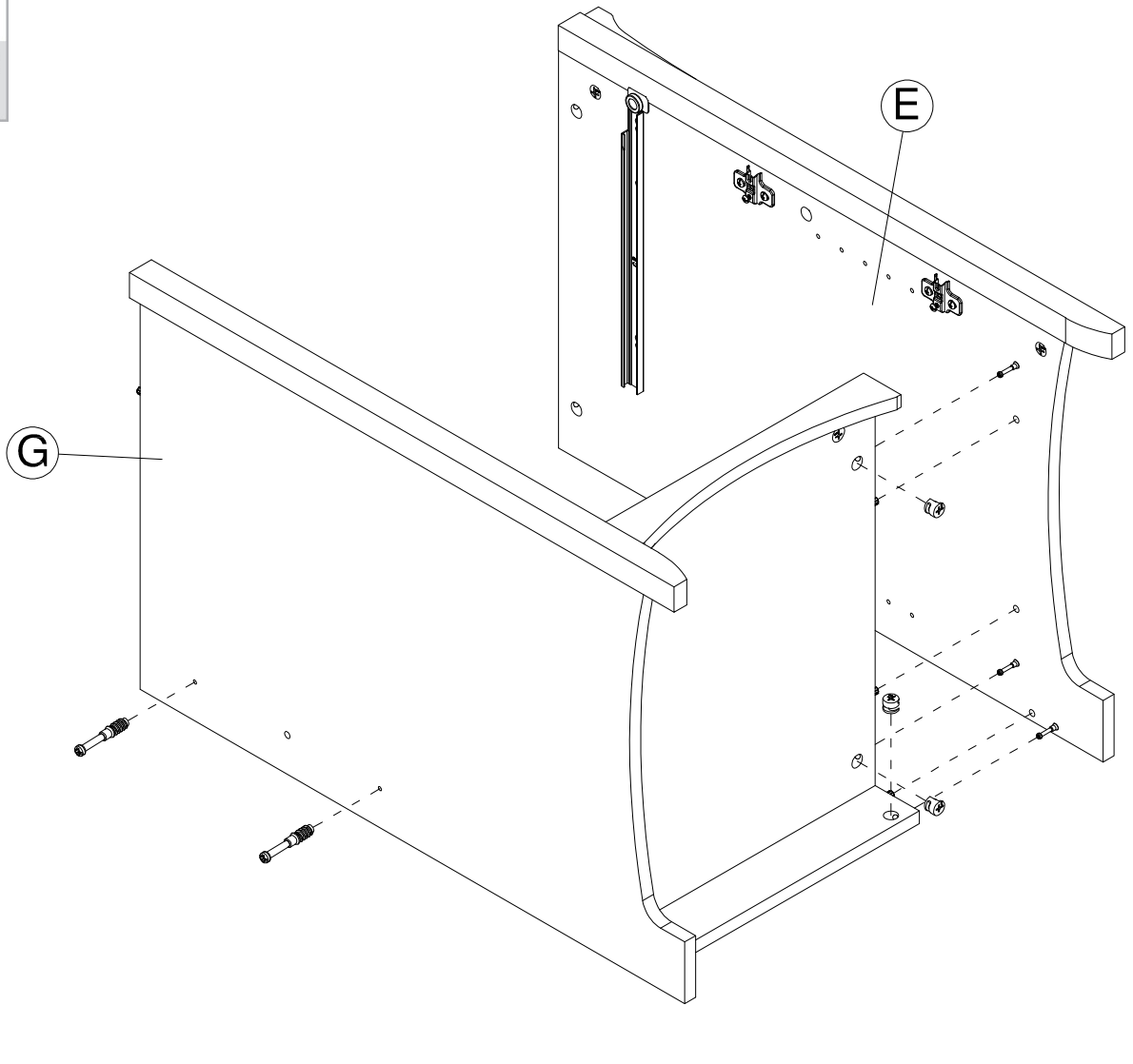


H180604



[2]

KD Bolt



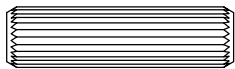
Have an assembly question or need a replacement part? Just call **1-800-950-4782**, we are here to help.

STEP 23

Prepare Panel

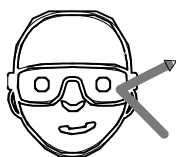
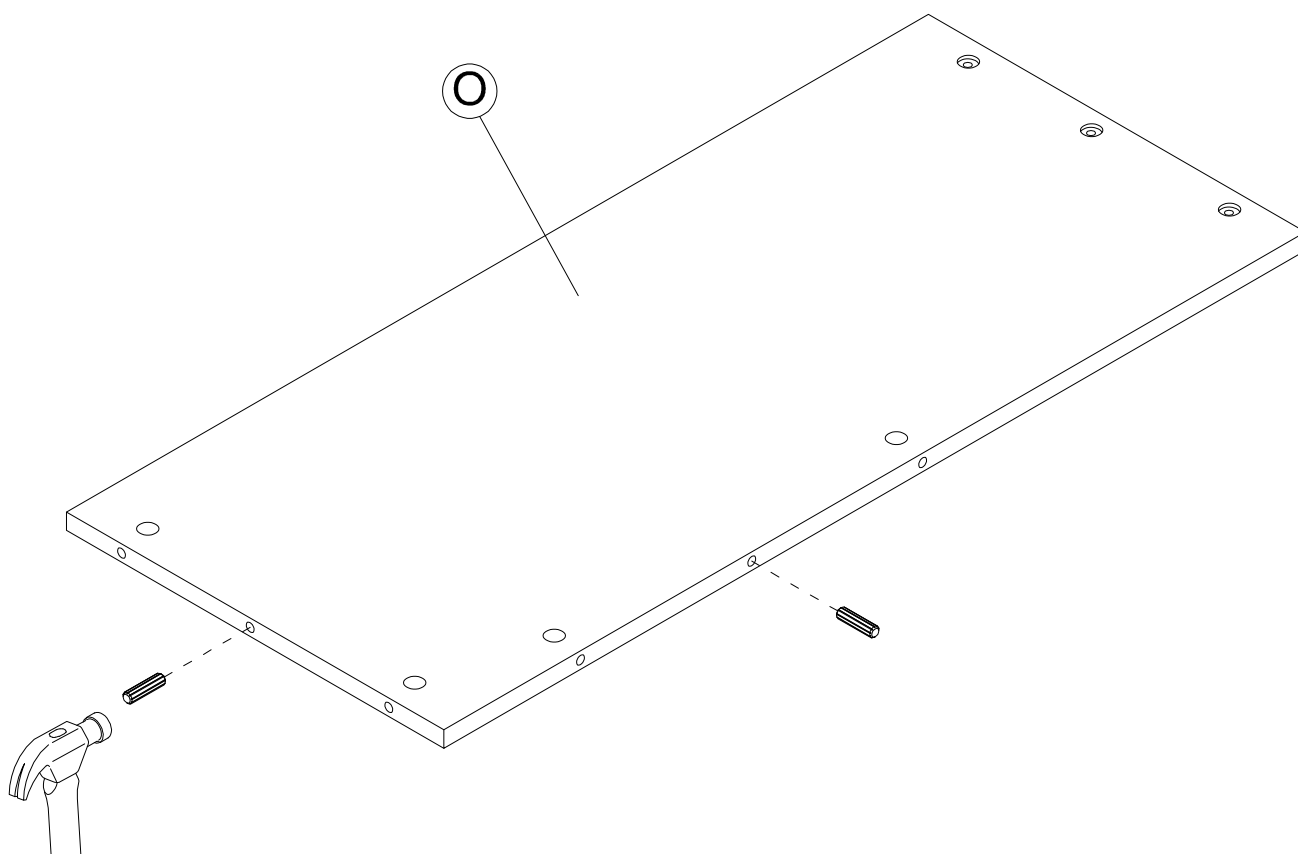
A190464C

H38169



[2]

Wood Dowel
8 x 30mm



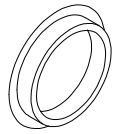
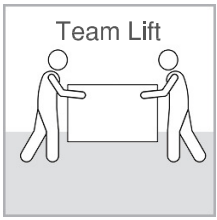
Safety glasses
Gafas de seguridad
Lunettes de protection

Have an assembly question or need a replacement part? Just call
1-800-950-4782, we are here to help.

STEP 24

Assemble Panels

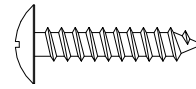
A190464C



[3]

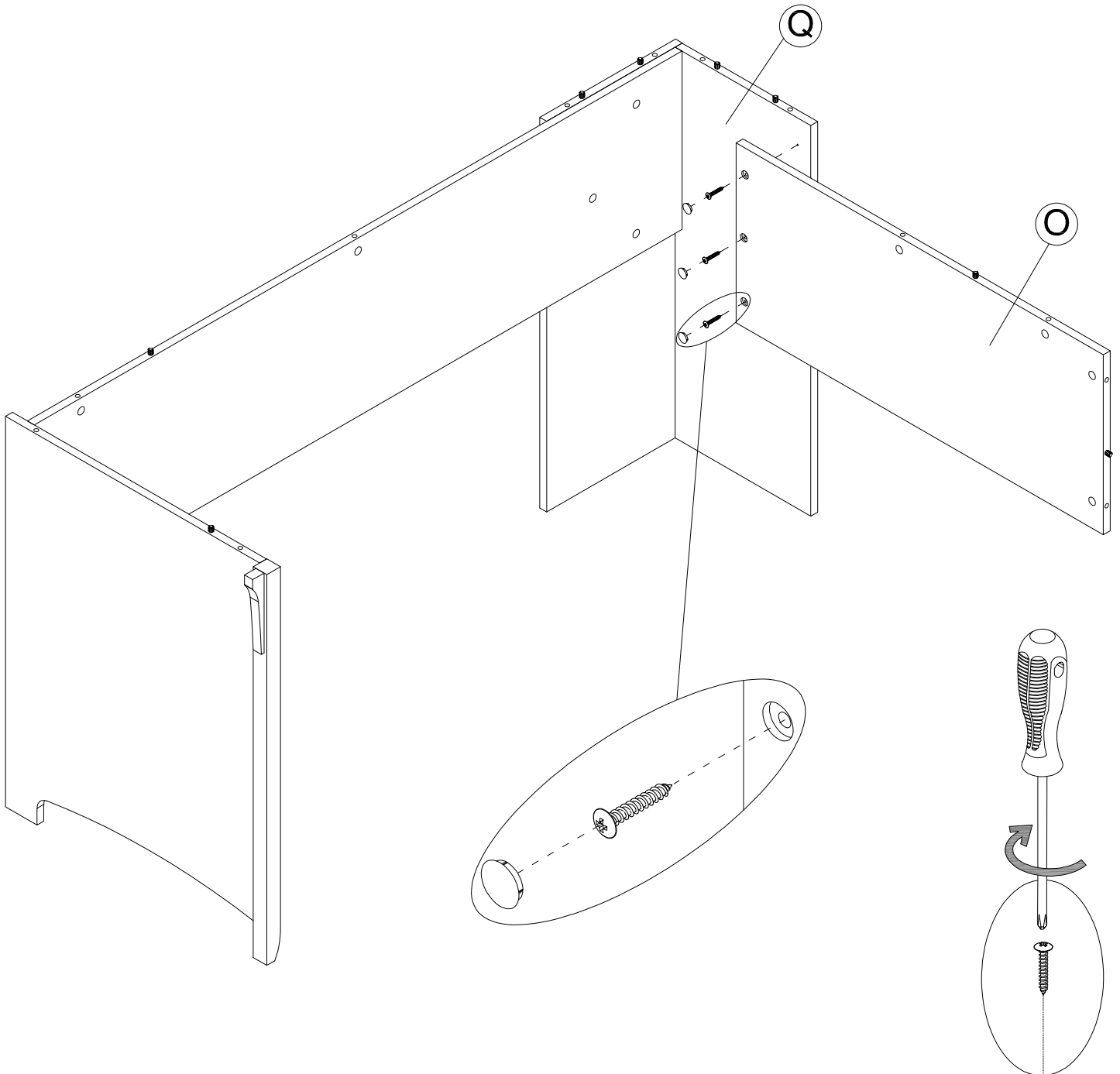
Hole Plug

H150067



#8 x 7/8"

[3]



Have an assembly question or need a replacement part? Just call
1-800-950-4782, we are here to help.

STEP 25

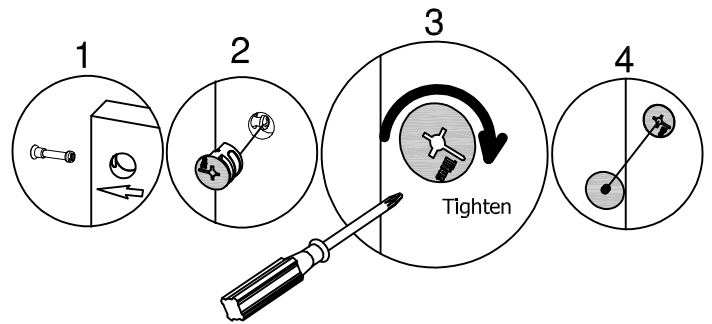
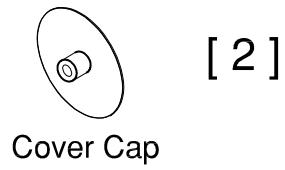
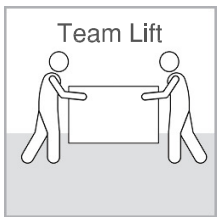
Assemble Panels

A190464C

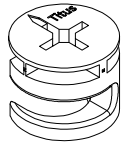
Scan QR Code to Watch Video on:



How to Tighten KD Cams

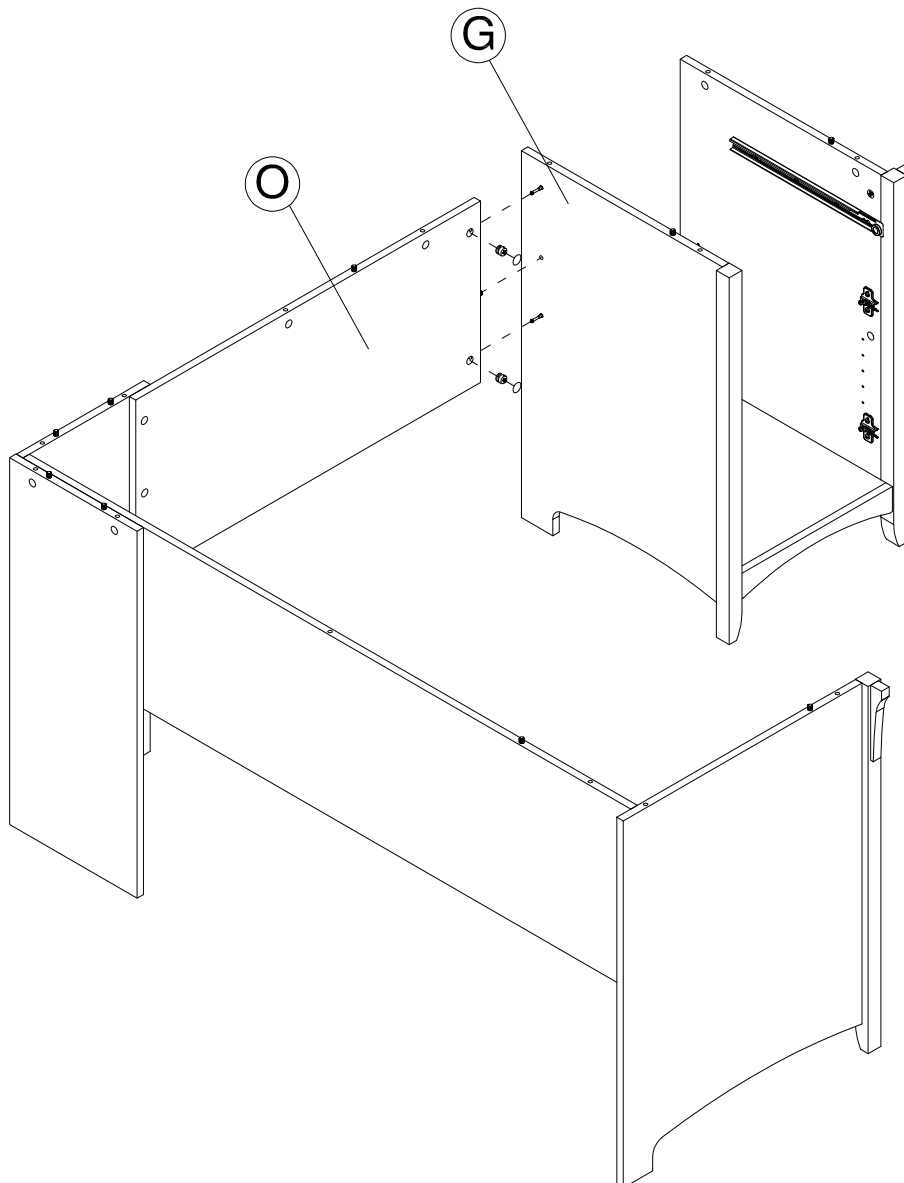


H181468



KD Cam

[2]

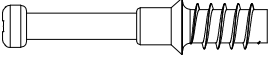


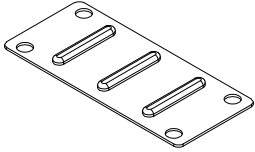
Have an assembly question or need a replacement part? Just call **1-800-950-4782**, we are here to help.

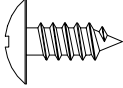
STEP 26

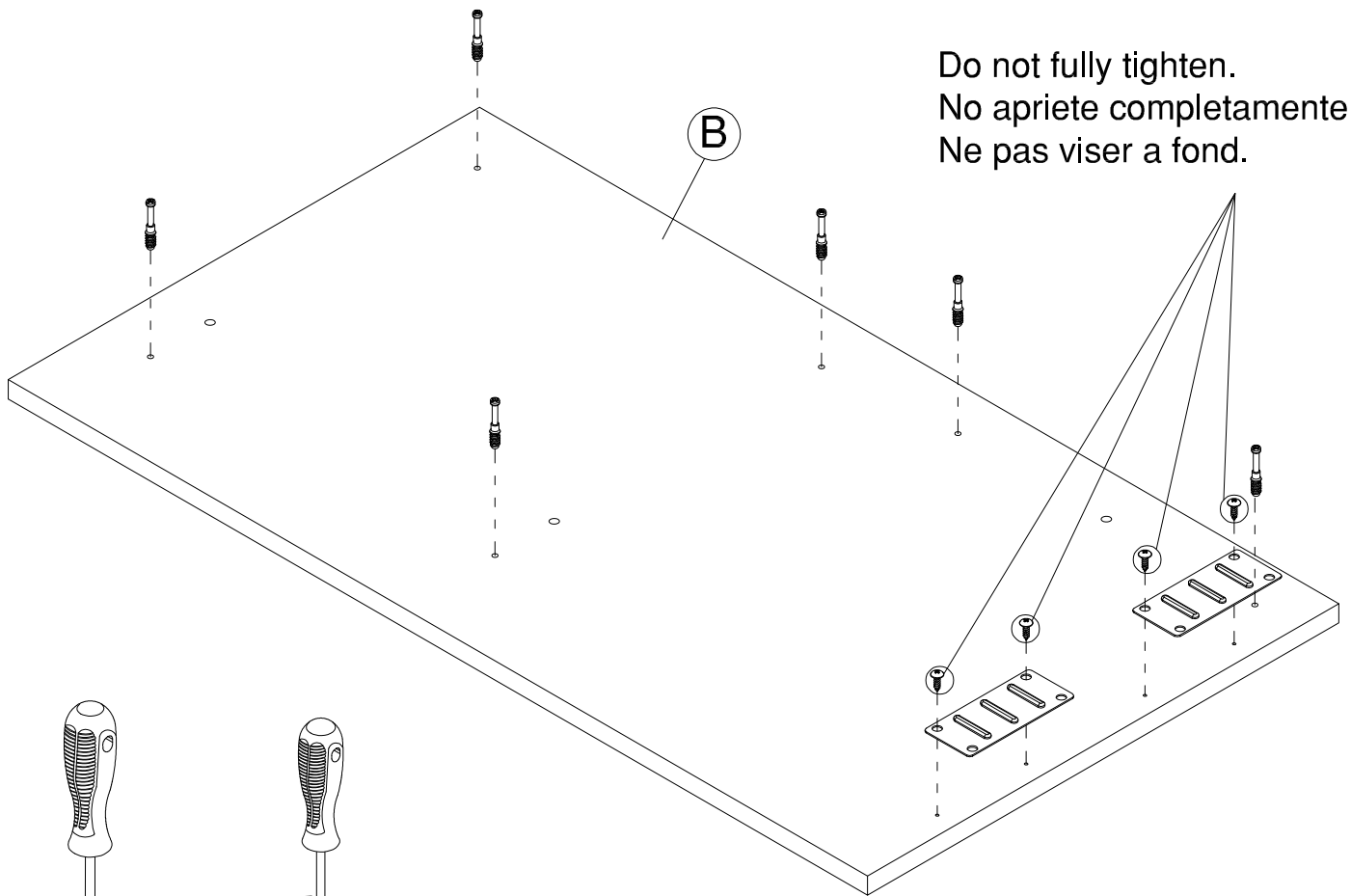
Prepare Panel

A190464C

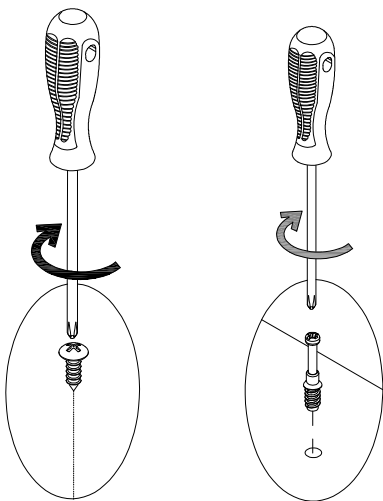
H180604  [6]
KD Bolt

H39922  [2]
Strap

H35251  [4]
#10 x 1/2"



Do not fully tighten.
No apriete completamente.
Ne pas viser a fond.

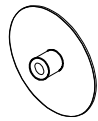
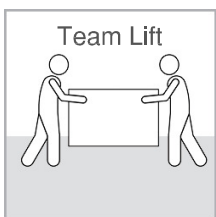


Have an assembly question or need a replacement part? Just call
1-800-950-4782, we are here to help.

Scan QR Code to Watch Video on:

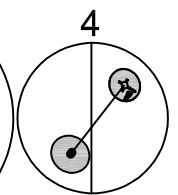
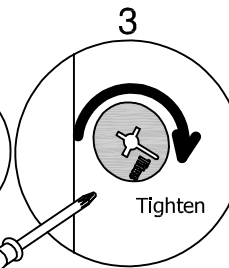
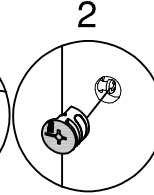
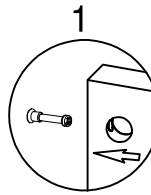


How to Tighten KD Cams

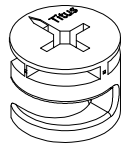


[2]

Cover Cap

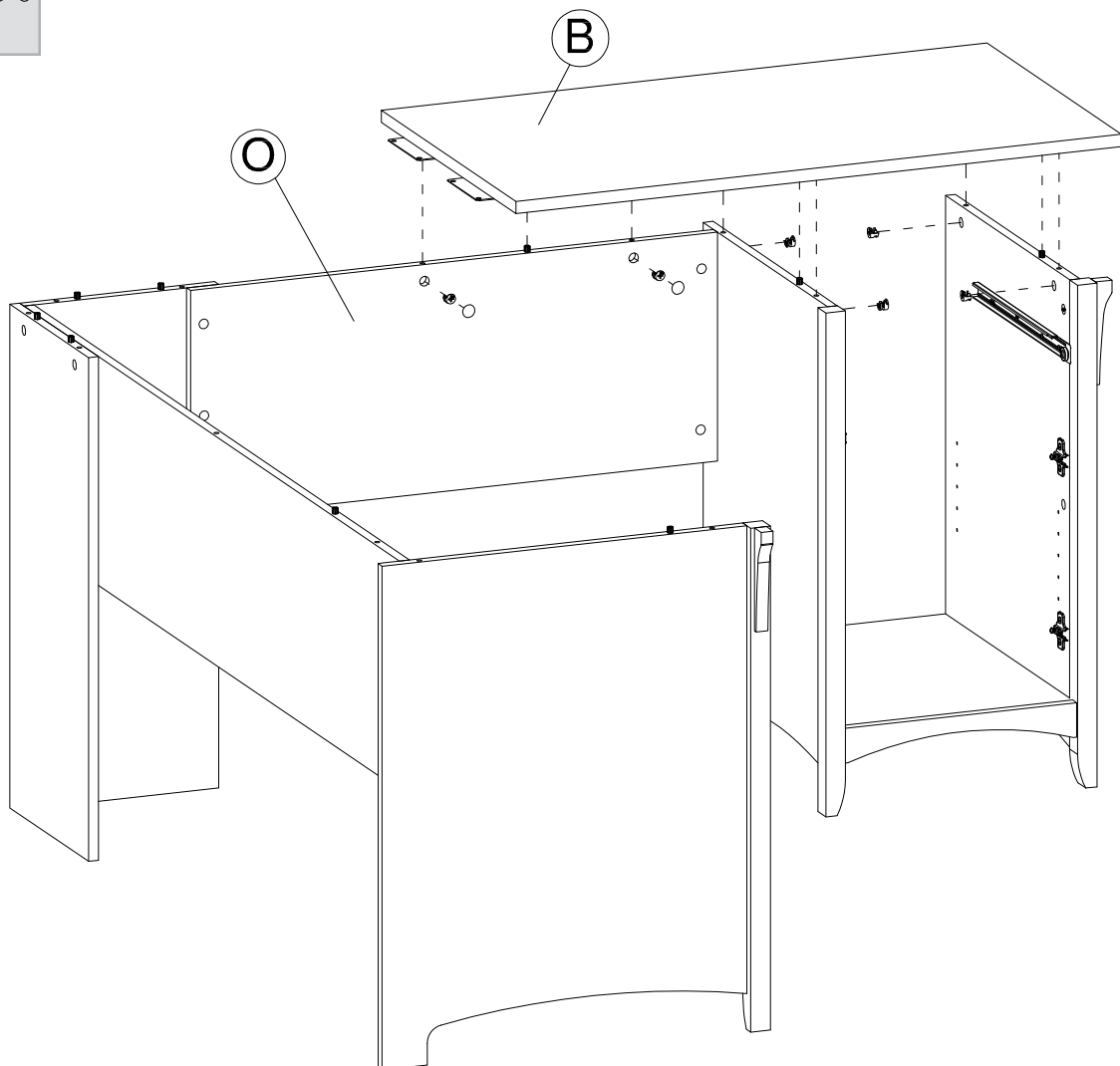


H181468



[6]

KD Cam



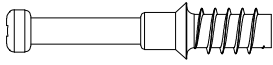
Have an assembly question or need a replacement part? Just call **1-800-950-4782**, we are here to help.

STEP 28

Prepare Panel

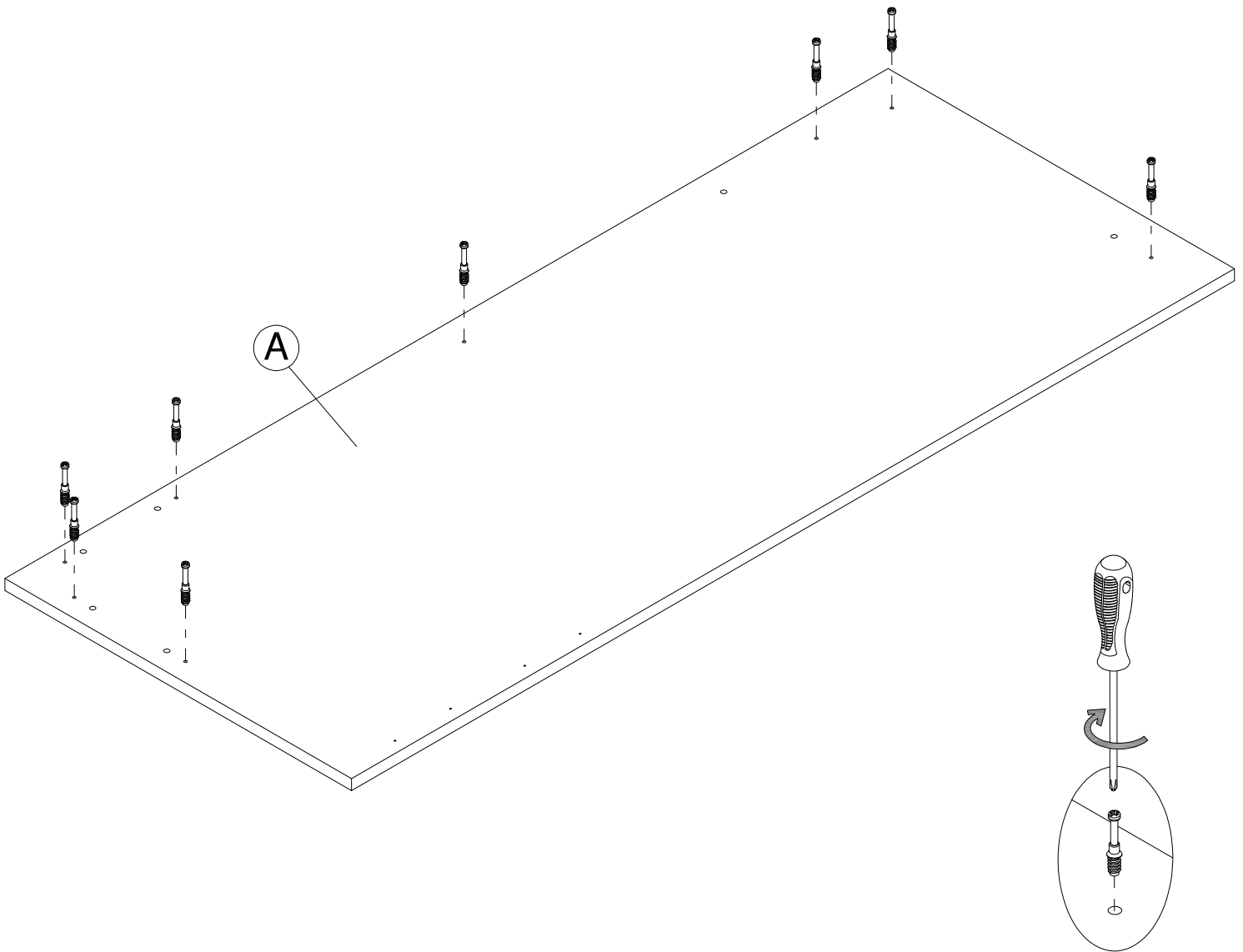
A190464C

H180604



[8]

KD Bolt



Have an assembly question or need a replacement part? Just call
1-800-950-4782, we are here to help.

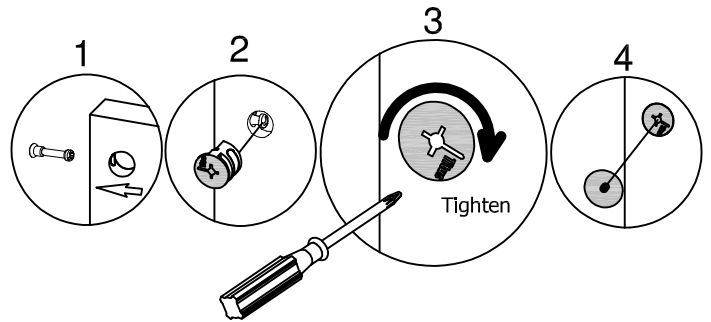
Scan QR Code to Watch Video on:



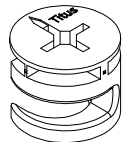
How to Tighten KD Cams



[4]

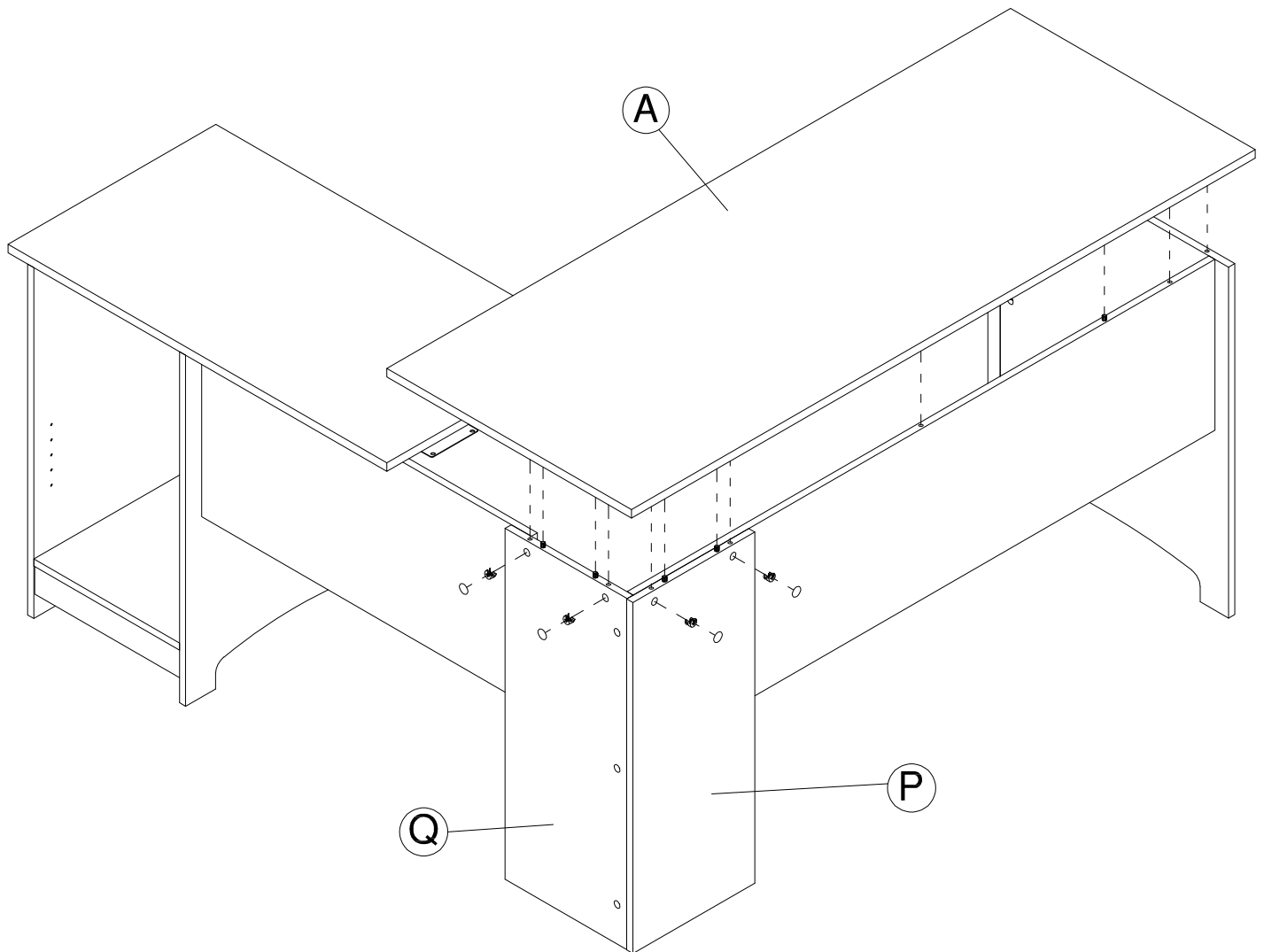


H181468



[4]

KD Cam



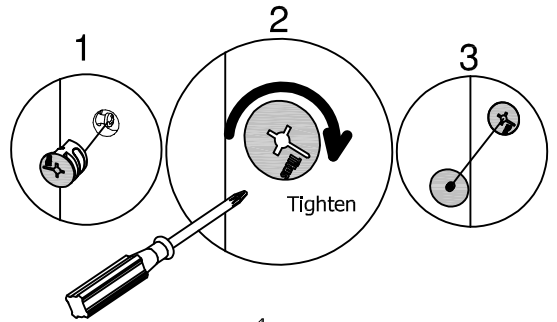
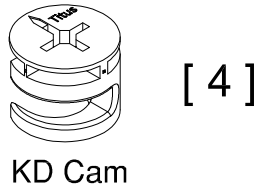
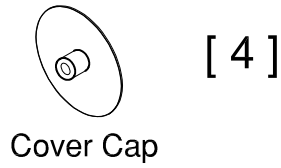
Have an assembly question or need a replacement part? Just call **1-800-950-4782**, we are here to help.

Scan QR Code to Watch Video on:

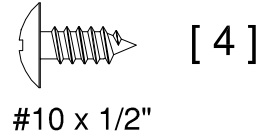


How to Tighten KD Cams

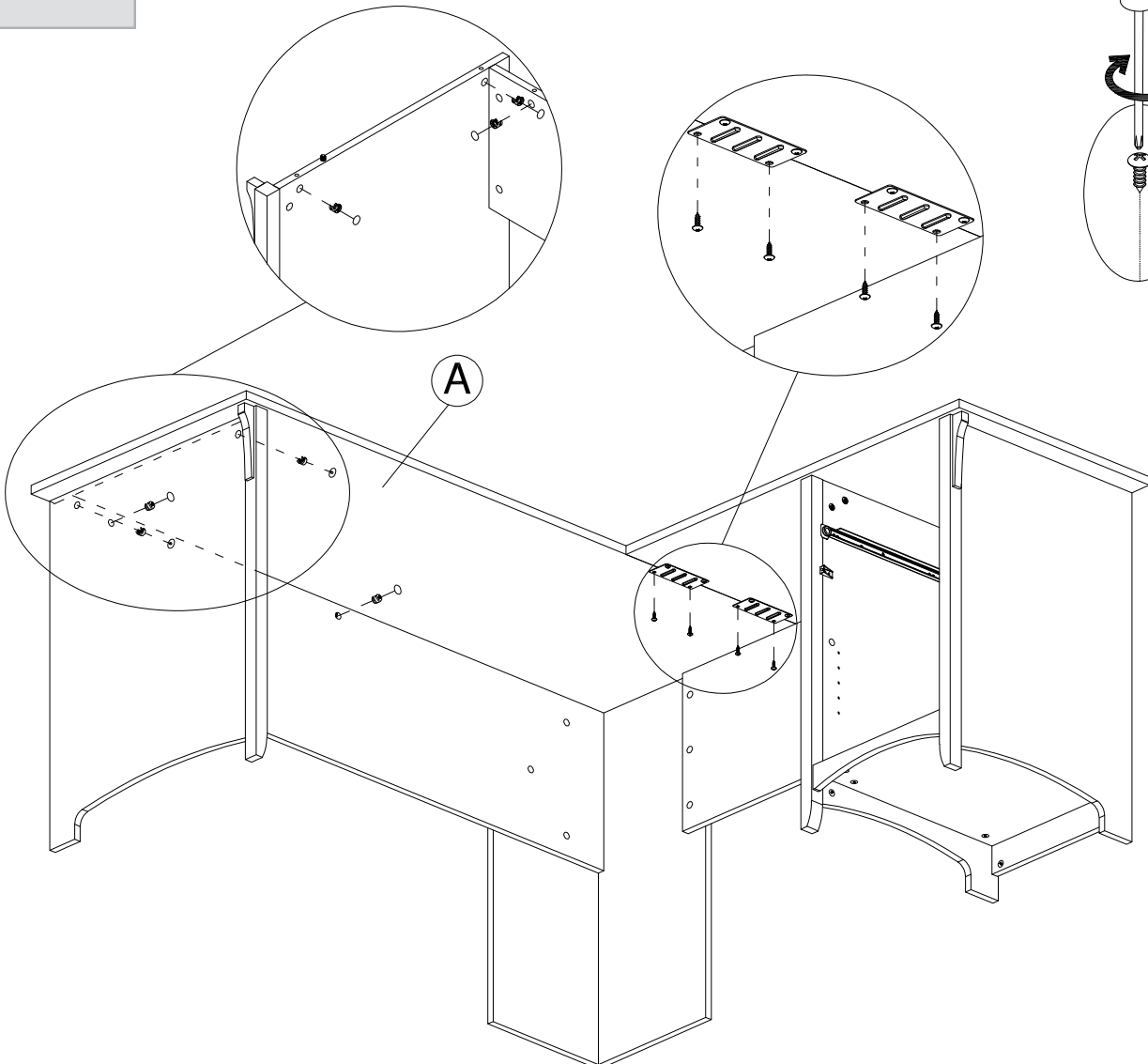
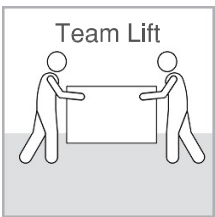
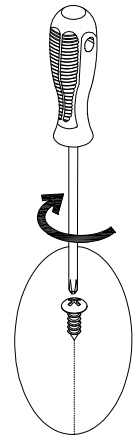
H181468



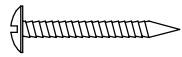
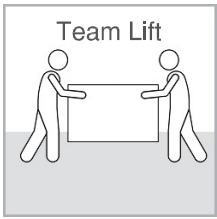
H35251



Tighten all screws.
Apriete todos los tornillos.
Serrez toutes les vis.

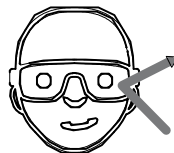
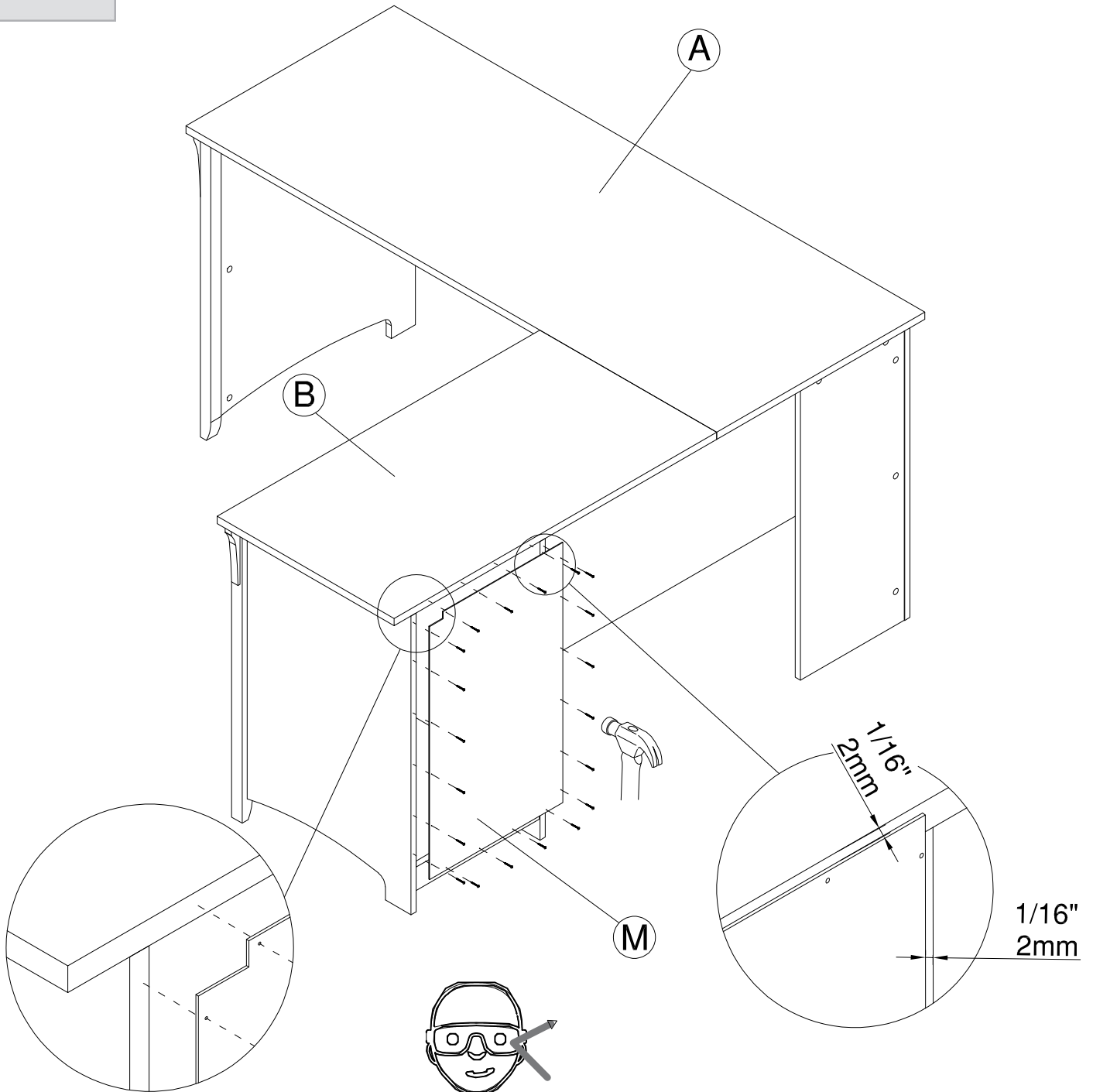


Have an assembly question or need a replacement part? Just call **1-800-950-4782**, we are here to help.



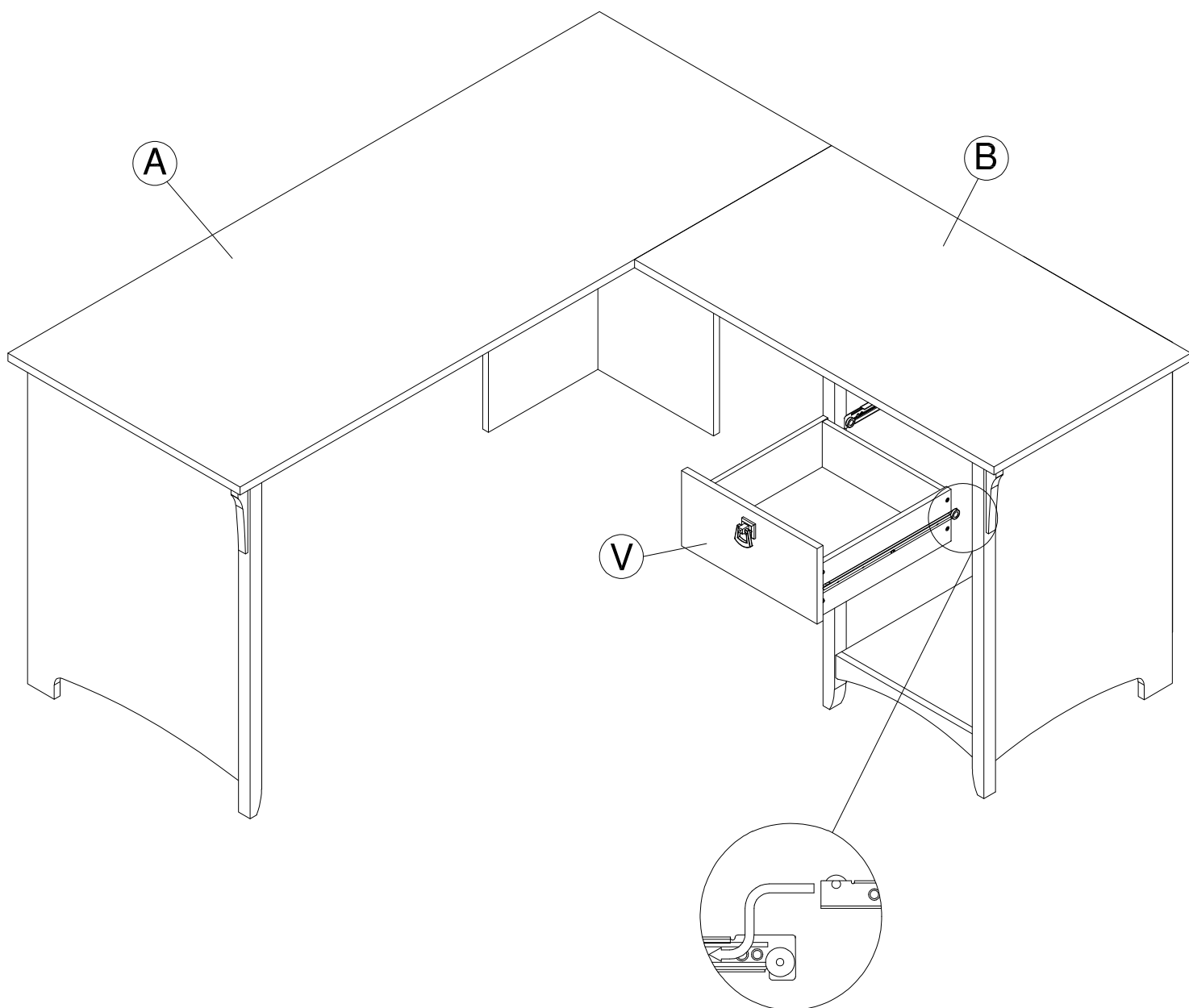
[20]

#3 x 3/4"



Safety glasses
Gafas de seguridad
Lunettes de protection

Have an assembly question or need a replacement part? Just call
1-800-950-4782, we are here to help.



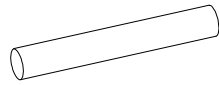
Have an assembly question or need a replacement part? Just call
1-800-950-4782, we are here to help.

STEP 33

Install Shelf

A190464C

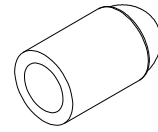
H23604



Shelf Pin
1" x 3/16"

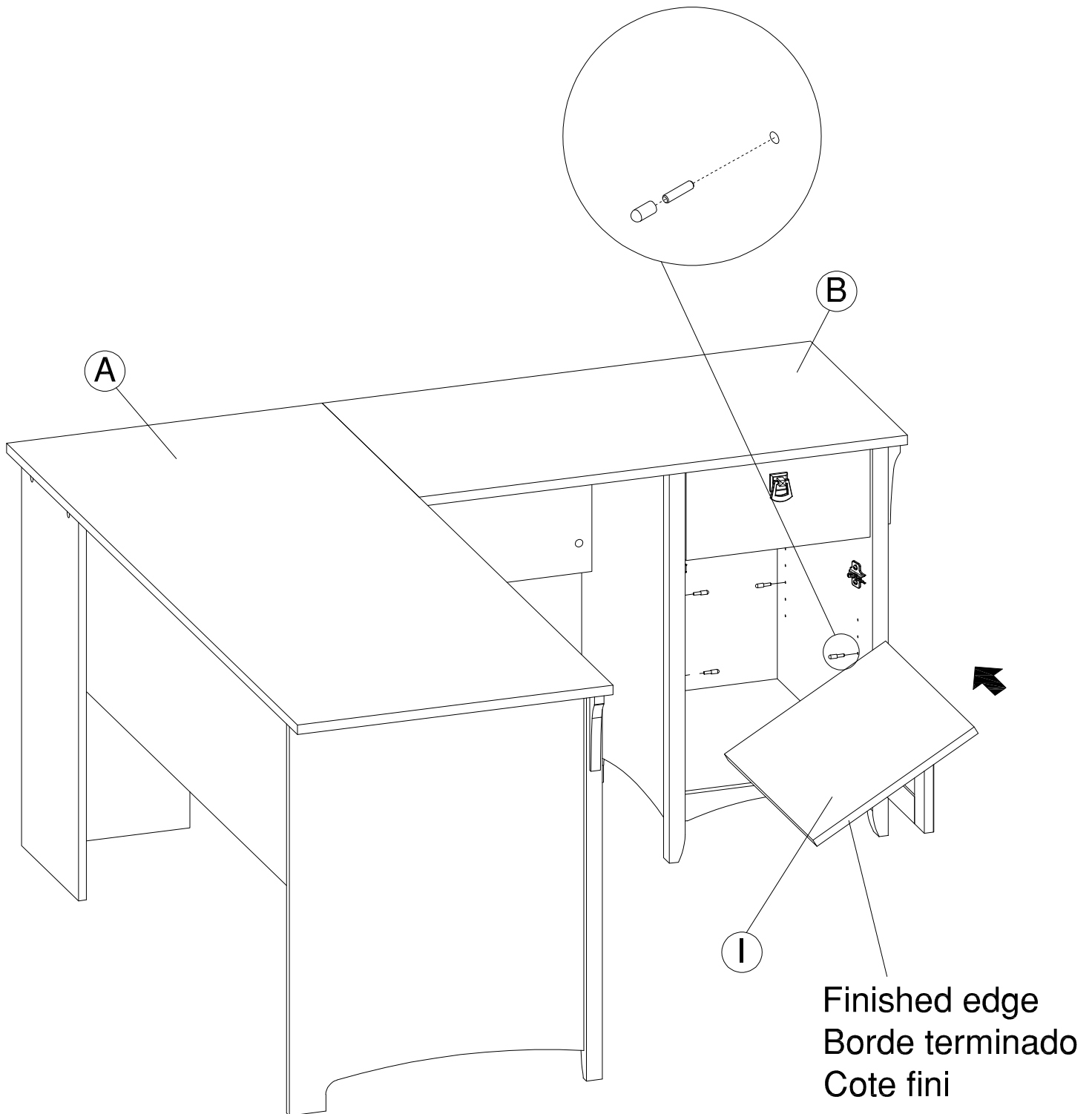
[4]

H126396



Shelf Pin Sleeve

[4]

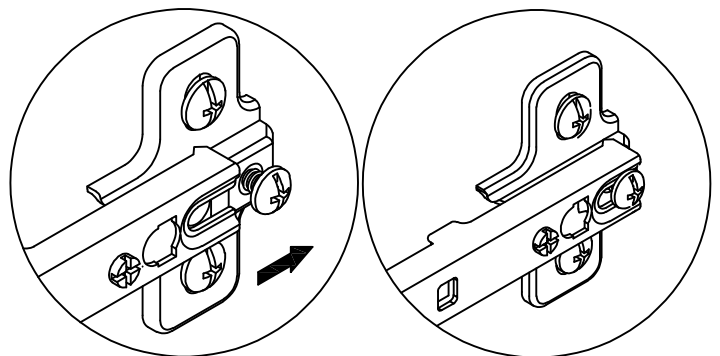
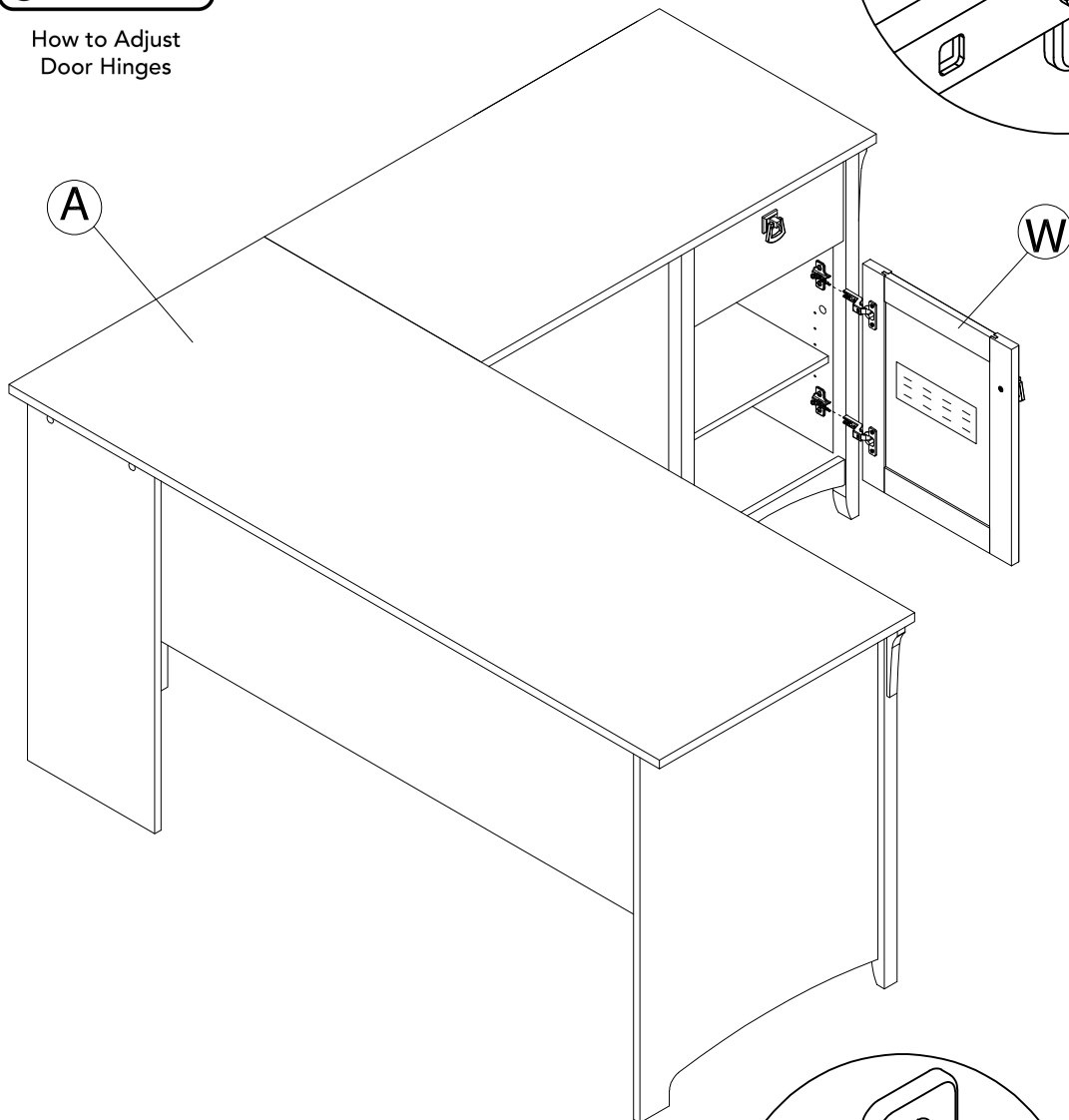
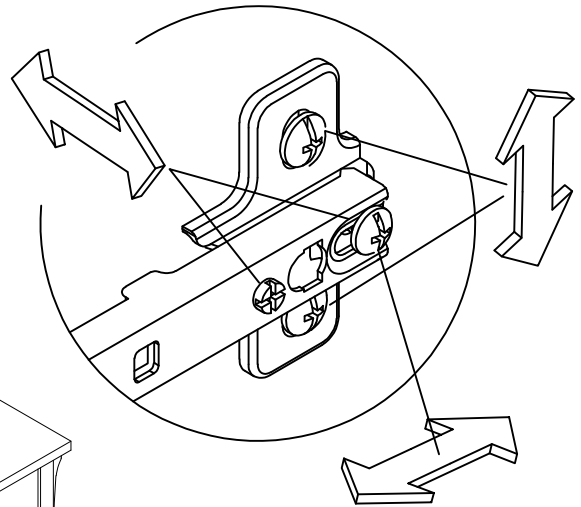


Have an assembly question or need a replacement part? Just call
1-800-950-4782, we are here to help.

Scan QR Code to
Watch Video on:



How to Adjust
Door Hinges



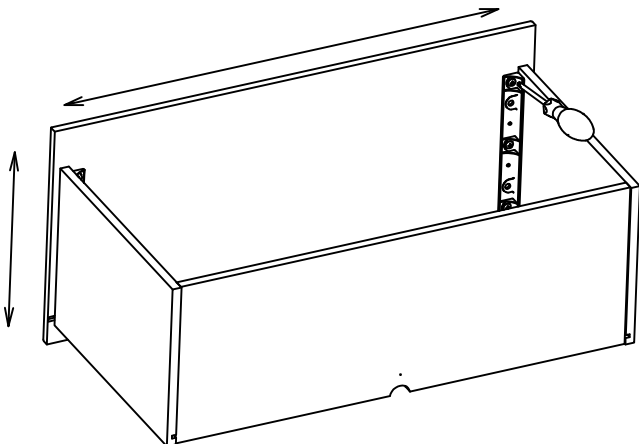
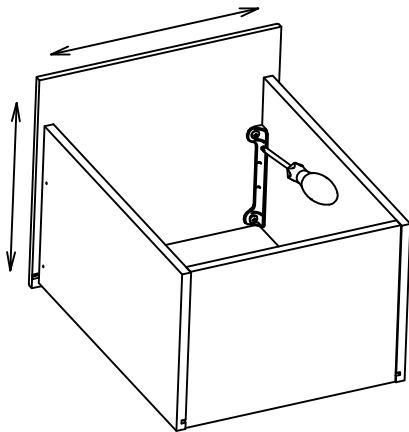
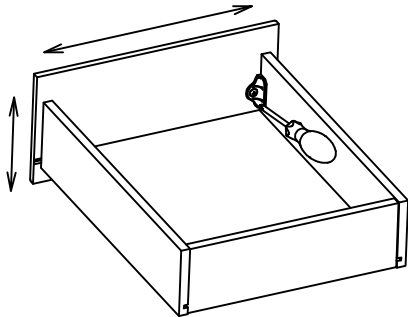
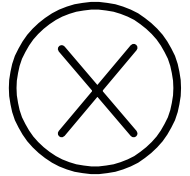
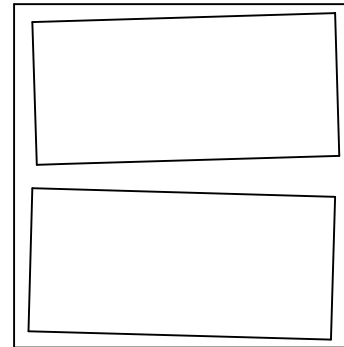
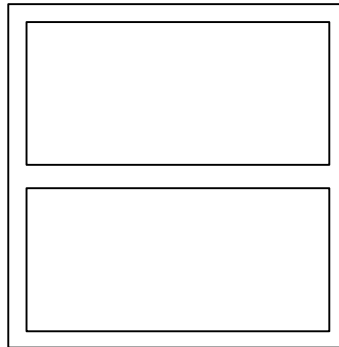
Have an assembly question or need a replacement part? Just call
1-800-950-4782, we are here to help.

Scan QR Code to Watch Video on:



How to Adjust Drawer Fronts

DRAWER FRONT VIEW



REQUIRED TOOL: PHILLIPS SCREWDRIVER

HERRAMIENTA REQUERIDA: DESTORNILLADOR PHILLIPS
 OUTIL REQUIS: TOURNEVIS CRUCIFORME



1. LOOSEN SCREWS.
2. ADJUST DRAWER FRONTS.
3. TIGHTEN SCREWS.

1. Afloje los tornillos
2. Ajustar frentes de cajón
3. Apriete los tornillos

1. Desserrer les vis
2. Ajuster les façades des tiroirs
3. Serrer les vis

Have an assembly question or need a replacement part? Just call **1-800-950-4782**, we are here to help.

Scan QR Code to Watch Video on:



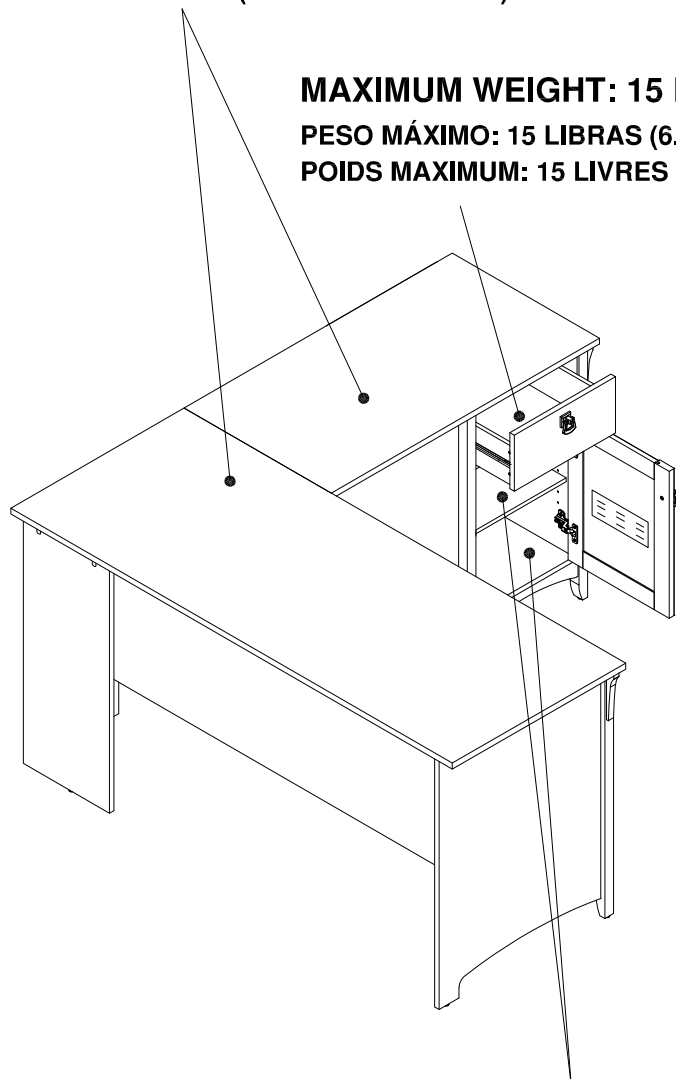
How to Clean the Surface

Gently clean surfaces with a damp sponge eraser.

MAXIMUM WEIGHT: 200 LBS (90.72 KG)

PESO MÁXIMO: 200 LIBRAS (90.72 KILOGRAMO)

POIDS MAXIMUM: 200 LIVRES (90.72 KILOGRAMME)



MAXIMUM WEIGHT: 15 LBS (6.75 KG)

PESO MÁXIMO: 15 LIBRAS (6.75 KILOGRAMO)

POIDS MAXIMUM: 15 LIVRES (6.75 KILOGRAMME)

MAXIMUM WEIGHT: 25 LBS (11.25 KG)

PESO MÁXIMO: 25 LIBRAS (11.25 KILOGRAMO)


POIDS MAXIMUM: 25 LIVRES (11.25 KILOGRAMME)

Congratulations! You are all done. If you have any questions or concerns, please call.

Have an assembly question or need a replacement part? Just call **1-800-950-4782**, we are here to help.

SAD160AW

A	[1]	W182684	M	[1]	W188659
B	[1]	W182685	N	[1]	W209078
C	[1]	W209064	O	[1]	W209085
D	[1]	S182687	P	[1]	W209092
E	[1]	W182688	Q	[1]	W209099
F	[1]	S182689	R	[1]	W182701
G	[1]	W209071	S	[1]	W182702
H	[1]	W182691	T	[1]	W182703
I	[1]	W182692	U	[1]	W182704
J	[1]	W182693	V	[1]	W208639
K	[1]	W182694	W	[1]	S208618
L	[1]	W182695			

H186067  [20]

#3 x 3/4" NICKEL

H174677  [23]

Cover Cap

H208730  [6]

Hole Plug

Have an assembly question or need a replacement part? Just call
1-800-950-4782, we are here to help.

SAD160VB

A	[1]	W183158	M	[1]	W188660
B	[1]	W183159	N	[1]	W209079
C	[1]	W209065	O	[1]	W209086
D	[1]	S183155	P	[1]	W209093
E	[1]	W183161	Q	[1]	W209100
F	[1]	S183156	R	[1]	W185247
G	[1]	W209072	S	[1]	W185248
H	[1]	W183183	T	[1]	W185249
I	[1]	W183184	U	[1]	W185250
J	[1]	W183185	V	[1]	W208640
K	[1]	W183186	W	[1]	S208619
L	[1]	W183187			

H34174  [20]

#3 x 3/4" BLACK

H160399  [23]

Cover Cap

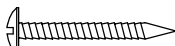
H208731  [6]

Hole Plug

Have an assembly question or need a replacement part? Just call
1-800-950-4782, we are here to help.

SAD160CG

A	[1]	W188600	M	[1]	W188661
B	[1]	W188601	N	[1]	W209080
C	[1]	W209066	O	[1]	W209087
D	[1]	S188603	P	[1]	W209094
E	[1]	W188604	Q	[1]	W209101
F	[1]	S188605	R	[1]	W188617
G	[1]	W209073	S	[1]	W188618
H	[1]	W188607	T	[1]	W188619
I	[1]	W188608	U	[1]	W188620
J	[1]	W188609	V	[1]	W208641
K	[1]	W188610	W	[1]	S208620
L	[1]	W188611			

H186067  [20]

#3 x 3/4" NICKEL

H186180  [23]

Cover Cap

H208732  [6]

Hole Plug

Have an assembly question or need a replacement part? Just call
1-800-950-4782, we are here to help.

SAD160RCP

A	[1]	W197544	M	[1]	W197556
B	[1]	W197545	N	[1]	W209081
C	[1]	W209067	O	[1]	W209088
D	[1]	S197547	P	[1]	W209095
E	[1]	W197548	Q	[1]	W209102
F	[1]	S197549	R	[1]	W197561
G	[1]	W209074	S	[1]	W197562
H	[1]	W197551	T	[1]	W197563
I	[1]	W197552	U	[1]	W197564
J	[1]	W197553	V	[1]	W208642
K	[1]	W197554	W	[1]	S208621
L	[1]	W197555			

H34174  [20]

#3 x 3/4" BLACK

H200199  [23]

Cover Cap


H208733  [6]

Hole Plug

Have an assembly question or need a replacement part? Just call
1-800-950-4782, we are here to help.

SAD160DG

A	[1]	W197567	M	[1]	W197579
B	[1]	W197568	N	[1]	W209082
C	[1]	W209068	O	[1]	W209089
D	[1]	S197570	P	[1]	W209096
E	[1]	W197571	Q	[1]	W209103
F	[1]	S197572	R	[1]	W197584
G	[1]	W209075	S	[1]	W197585
H	[1]	W197574	T	[1]	W197586
I	[1]	W197575	U	[1]	W197587
J	[1]	W197576	V	[1]	W208643
K	[1]	W197577	W	[1]	S208622
L	[1]	W197578			

H34174  [20]

#3 x 3/4" BLACK

H200206  [23]

Cover Cap


H208734  [6]

Hole Plug

Have an assembly question or need a replacement part? Just call
1-800-950-4782, we are here to help.

SAD160ABR

A	[1]	W197590	M	[1]	W197602
B	[1]	W197591	N	[1]	W209083
C	[1]	W209069	O	[1]	W209090
D	[1]	S197593	P	[1]	W209097
E	[1]	W197594	Q	[1]	W209104
F	[1]	S197595	R	[1]	W197607
G	[1]	W209076	S	[1]	W197608
H	[1]	W197597	T	[1]	W197609
I	[1]	W197598	U	[1]	W197610
J	[1]	W197599	V	[1]	W208644
K	[1]	W197600	W	[1]	S208623
L	[1]	W197601			

H34174  [20]

#3 x 3/4" BLACK

H200200  [23]

Cover Cap


H208735  [6]

Hole Plug

Have an assembly question or need a replacement part? Just call
1-800-950-4782, we are here to help.

SAD160G2W

A	[1]	W197613	M	[1]	W197625
B	[1]	W197614	N	[1]	W209084
C	[1]	W209070	O	[1]	W209091
D	[1]	S197616	P	[1]	W209098
E	[1]	W197617	Q	[1]	W209105
F	[1]	S197618	R	[1]	W197630
G	[1]	W209077	S	[1]	W197631
H	[1]	W197620	T	[1]	W197632
I	[1]	W197621	U	[1]	W197633
J	[1]	W197622	V	[1]	W208645
K	[1]	W197623	W	[1]	S208624
L	[1]	W197624			

H186067  [20]

#3 x 3/4" NICKEL

H170595  [23]

Cover Cap

H170594  [6]

Hole Plug

Have an assembly question or need a replacement part? Just call
1-800-950-4782, we are here to help.

WARRANTY INFORMATION/INFORMATIONS POUR LA GARANTIE/INFORMACIÓN DE GARANTÍA

BUSH FURNITURE'S WRITTEN WARRANTY TO YOU

In order to provide you with timely assistance, please thoroughly inspect your furniture for missing or defective parts immediately after opening the carton. To receive replacement or missing parts under this warranty, call our Consumer Service Department TOLL-FREE at 1-800-950-4782. Please have the Model, Part, and Lot Numbers found in the instruction manual available for your reference. You will also need your sales receipt or other proof of purchase. Replacement part(s) will be shipped to you at no charge with Bush Industries assuming all shipping and handling charges.

This Bush Furniture product is warranted to the original purchaser at the time of purchase and for a period of one year thereafter.

We warrant to you, the original purchaser, that our furniture and all its parts and components are free of defects in material or workmanship. "Defects," as used in this warranty, is defined as any imperfection which impairs the use of the furniture product.

Our warranty is expressly limited to the replacement of furniture parts and components. For one year after the date of purchase, Bush will replace any parts that are defective in material or workmanship.

This warranty applies under conditions of normal use. Our Bush Furniture products are not intended for outdoor use. This warranty does not cover: 1) defects caused by improper assembly or disassembly; 2) defects occurring after purchase due to product modification, intentional damage, accident, misuse, abuse, negligence or exposure to the elements; and 3) labor or assembly costs. 4) batteries are not included.

IMPLIED WARRANTIES, INCLUDING THE WARRANTY OF MERCHANTABILITY, SHALL NOT EXTEND BEYOND THE DURATION OF THE WRITTEN WARRANTY STATED ABOVE, AND IN NO EVENT SHALL BUSH BE LIABLE FOR INCIDENTAL OR CONSEQUENTIAL DAMAGES RESULTING FROM USE OF THE PRODUCT. Some states do not allow a limitation on how long an implied warranty lasts or the exclusion or limitation of incidental or consequential damages, so the above limitation and exclusion may not apply to you.

This warranty gives you specific legal rights. You may also have other rights that may vary from state to state.

VOTRE GARANTIE BUSH FURNITURE

Afin de vous assister rapidement, veuillez inspecter votre mobilier en détail immédiatement après l'ouverture du carton en cas de pièces manquantes ou défectueuses. Pour recevoir une pièce de rechange ou manquante couverte par cette garantie, appelez notre département de service clientèle GRATUITEMENT au 1-800-950-4782. Veuillez tenir à disposition les numéros de modèle, de pièce et de lot qui se trouvent dans le manuel d'instruction pour votre référence. Vous aurez également besoin de votre reçu ou d'une autre preuve d'achat. La (les) pièce(s) de rechange vous sera (seront) envoyée(s) sans frais, Bush Industries se chargeant de tous les frais d'expédition.

Tout le produit Bush Furniture est garanti à l'acheteur original à partir de la date d'achat pour une période d'un an.

Nous vous garantissons, à vous l'acheteur original, que notre mobilier et toutes ses pièces et composants sont sans défaut de matériau ou de fabrication. Le terme "défauts" utilisé dans cette garantie, est défini comme étant toutes les imperfections qui compromettent l'utilisation du meuble.

Notre garantie est expressément limitée au remplacement des pièces et des composants du mobilier. Pendant un an après la date d'achat, Bush remplacera toute pièce défectueuse dans le matériau ou sa fabrication.

Cette garantie d'applique sous des conditions d'utilisation normale. Nos produits ne sont pas destinés à être utilisés en plein air. Cette garantie ne couvre pas: 1) les défauts causés par un mauvais assemblage ou démontage, 2) les défauts ayant lieu après l'achat et dus à la modification du produit, des dommages intentionnels, des accidents, une mauvaise utilisation, un mauvais traitement, la négligence ou l'exposition aux éléments, et 3) les frais de main d'œuvre ou d'assemblage. 4) les piles ne sont pas incluses.

LES GARANTIES TACITES, Y COMPRIS LA GARANTIE DE QUALITE MARCHANDE, NE S'ETENDRONT PAS AU-DELA DE LA DUREE ECRITE CITEE CI-DESSUS, ET BUSH NE SERA EN AUCUN CAS RESPONSABLE DES DOMMAGES ACCESSOIRES OU INDIRECTS RESULTANT DE L'UTILISATION DU PRODUIT. Certains états ne permettent pas d'appliquer une limite à la durée de la garantie tacite, ni une exclusion ou limitation des dommages accessoires ou indirects; dans ce cas les limitations ou exclusion ci-dessus peuvent ne pas s'appliquer à vous.

Cette garantie vous donne des droits légaux spécifiques. Il se peut que vous ayez également d'autres droits qui peuvent varier d'un état à l'autre.

GARANTIA ESCRITA DE BUSH FURNITURE PARA USTED

Para brindarle asistencia oportuna, por favor, verifique detalladamente que a su mueble no le falte o tenga piezas defectuosas inmediatamente después de abrir la caja. Para recibir un reemplazo o la parte faltante bajo esta garantía, llame a nuestro Departamento de Servicio al Consumidor GRATIS al 1-800-950-4782. Sírvase traer los números de modelo, parte y lote que se encuentran en el manual de instrucciones disponible para su referencia. Además, necesitará el recibo de su compra u otra prueba de compra. La(s) pieza(s) de reemplazo le será(n) enviada(s) sin recargo por Bush Industries asumiendo los gastos de envío y manipuleo.

Todo mueble de Bush Furniture es garantizado al comprador original al momento de la compra y por un periodo de uno año en adelante.

Le garantizamos a usted, el comprador original, que nuestros muebles sus partes y componentes están libres de defectos en materiales o trabajo. "Defectos", según se usa en esta garantía, se define como una imperfección que perjudica el uso del producto mobiliario.

Nuestra garantía se limita expresamente al reemplazo de partes y componentes mobiliarios. Durante uno año después de la fecha de compra, Bush reemplazará cualquier parte defectuosa en material o trabajo.

Esta garantía se aplica bajo condiciones de uso normal. Nuestros productos de Bush Furniture no son para uso en exteriores. Esta garantía no cubre: 1) defectos causados por un ensamblaje o desensamblaje inadecuado; 2) defectos que ocurran después de la compra debido a modificación del producto, daño intencional, accidente, mal uso, abuso, negligencia o exposición a los elementos; y 3) costos de trabajo o ensamblaje. 4) las baterías no están incluidas.

LAS GARANTÍAS IMPLICADAS, INCLUYENDO LA GARANTÍA DE COMERCIABILIDAD, NO SE EXTENDERÁN MÁS ALLÁ DE LA DURACIÓN DE LA GARANTÍA ESCRITA MENCIONADA, Y EN NINGÚN CASO BUSH SERÁ RESPONSABLE POR DAÑOS INCIDENTALES O CONSIGUIENTES COMO RESULTADO DEL USO DEL PRODUCTO. Algunos estados no permiten una limitación sobre el tiempo de duración de la garantía implicada o la exclusión o limitación de daños incidentales o consiguientes, de manera que la limitación y exclusión mencionadas pueden no aplicarse para usted.

Esta garantía le otorga derechos legales específicos. Puede también tener otros derechos que pueden variar según los estados.

1-Year
Manufacturer's
Warranty

Register your product online:

Scan the QR Code or go to <https://bushfurniture.com/activate-warranty/>



Assembly tips & how to videos:

Scan the QR Code to access our video guides <https://bushfurniture.com/help-faq/#assembling>

