

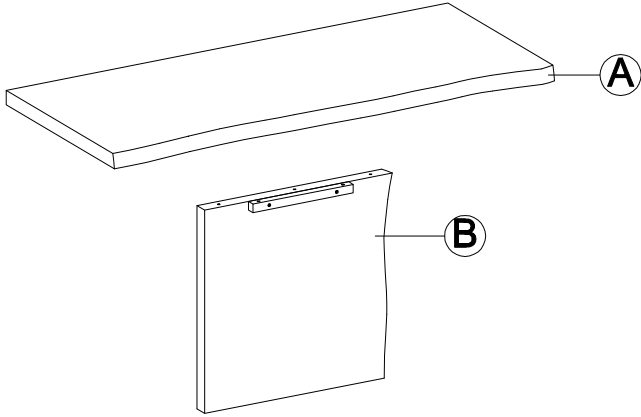
# ONE DESK ASSEMBLY INSTRUCTIONS



## PARTS PACKING CONFIGURATIONS

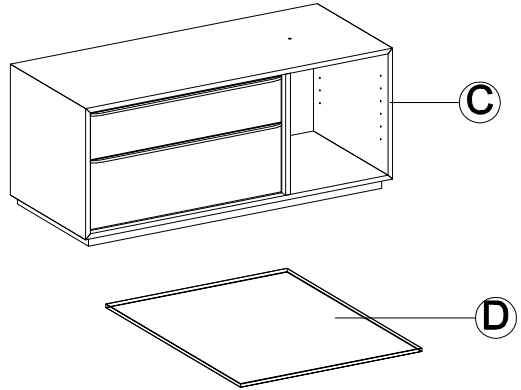
**BOX 1**

- A. DESK TOP            1PC
- B. SIDE PANEL        1PC



**BOX 2**

- C. DESK BASE        1PC
- D. GLASS SHELVES   2PCS



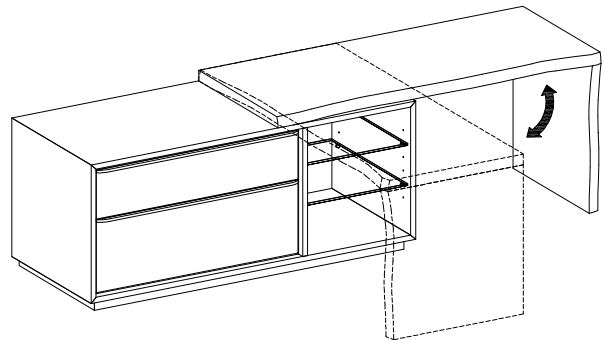
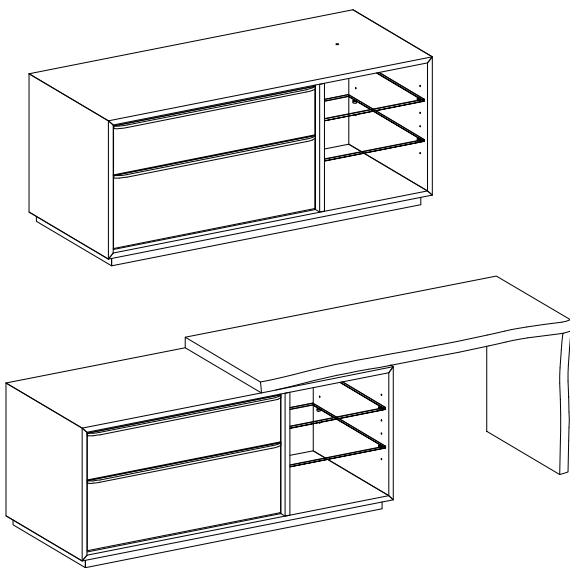
**HARDWARE KIT PACKED IN BOX 1**

NO.	DESCRIPTION	IMAGE	Q'TY
1	ALLEN BOLT (5/16"x1-1/2")		2 PCS
2	LOCK WASHER (5/16")		2 PCS
3	FLAT WASHER (5/16"x16mm)		2 PCS
4	ALLEN KEY (5mm)		1 PC
5	WOOD DOWEL(Ø8x30mm)		3 PCS
6	WOOD DOWEL(Ø12x30mm)		1 PC

**HARDWARE KIT PACKED IN BOX 2**

NO.	DESCRIPTION	IMAGE	Q'TY
7	SHELF SUPPORT PIN		8 PCS
8	WOOD PLUG(Do not use with Desk Top assembly)		1 PC

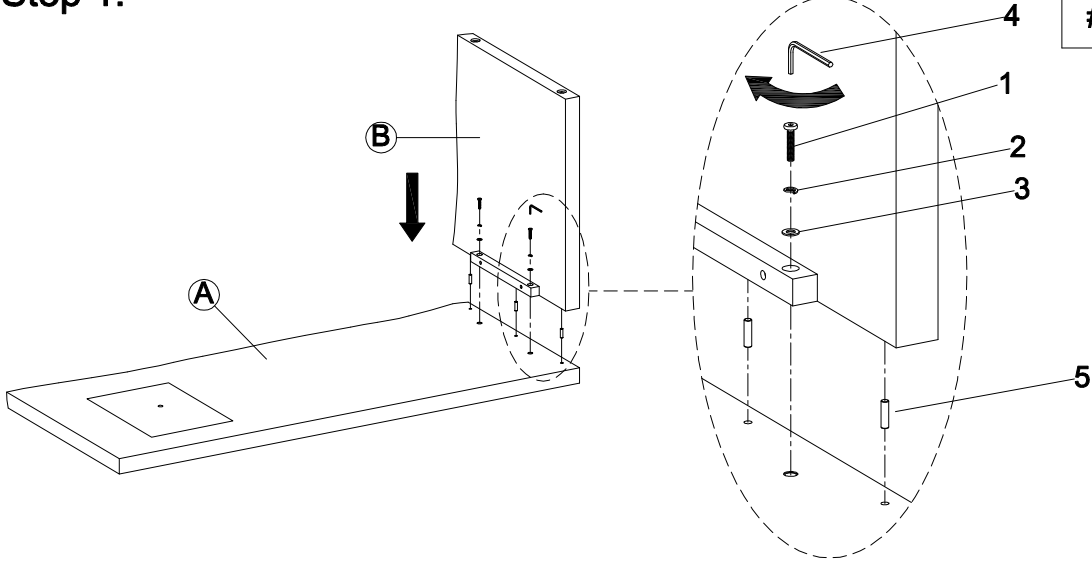
**FULLY ASSEMBLED**



# ONE DESK ASSEMBLY INSTRUCTIONS



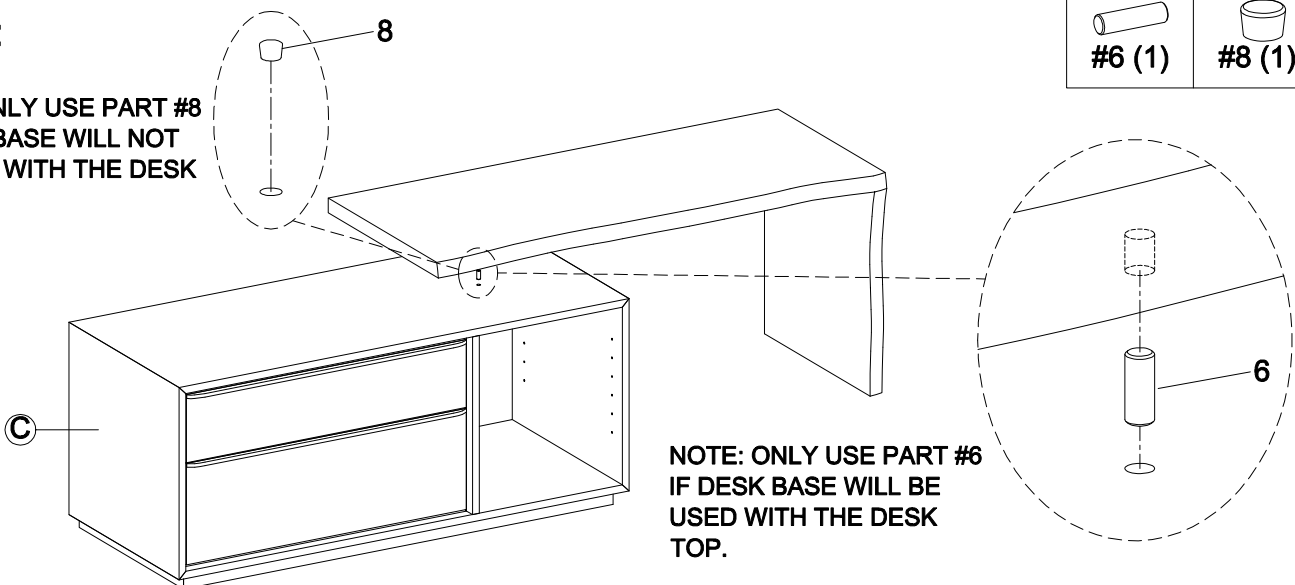
## Step 1:



#1 (2)	#2 (2)	#3 (2)
#4 (1)	#5 (3)	

## Step 2:

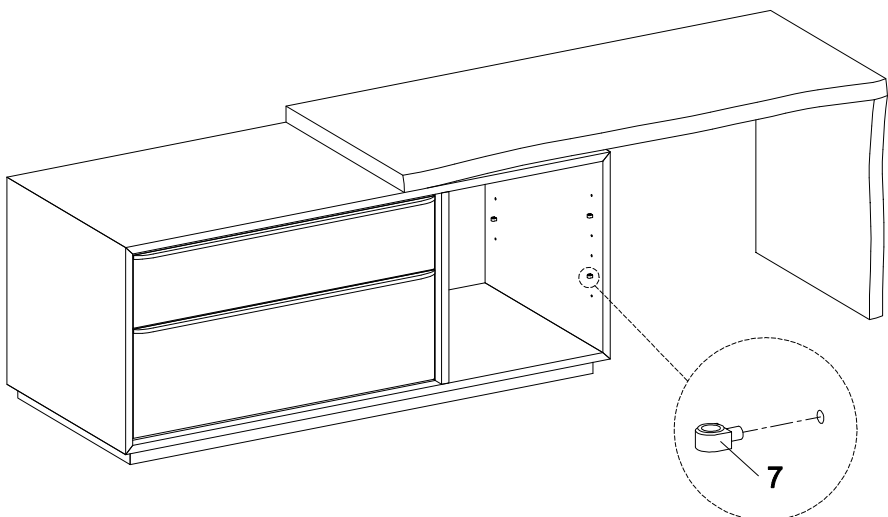
NOTE: ONLY USE PART #8 IF DESK BASE WILL NOT BE USED WITH THE DESK TOP.



NOTE: ONLY USE PART #6 IF DESK BASE WILL BE USED WITH THE DESK TOP.

#6 (1)	#8 (1)
--------	--------

## Step 3:

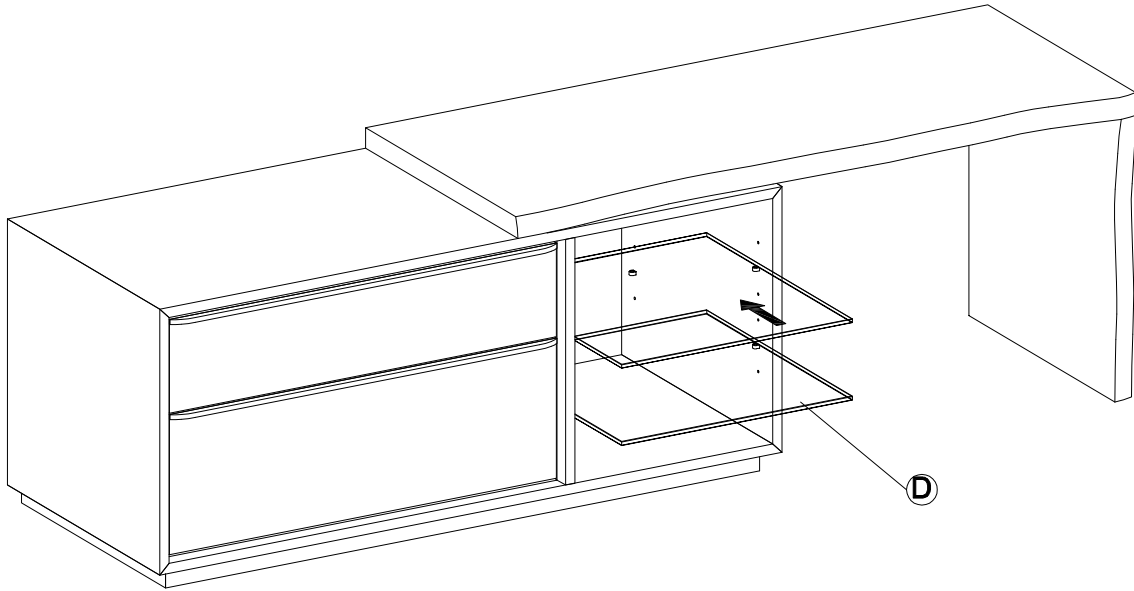


#7 (8)
--------

# ONE DESK ASSEMBLY INSTRUCTIONS



Step 4:



ASSEMBLY COMPLETE

