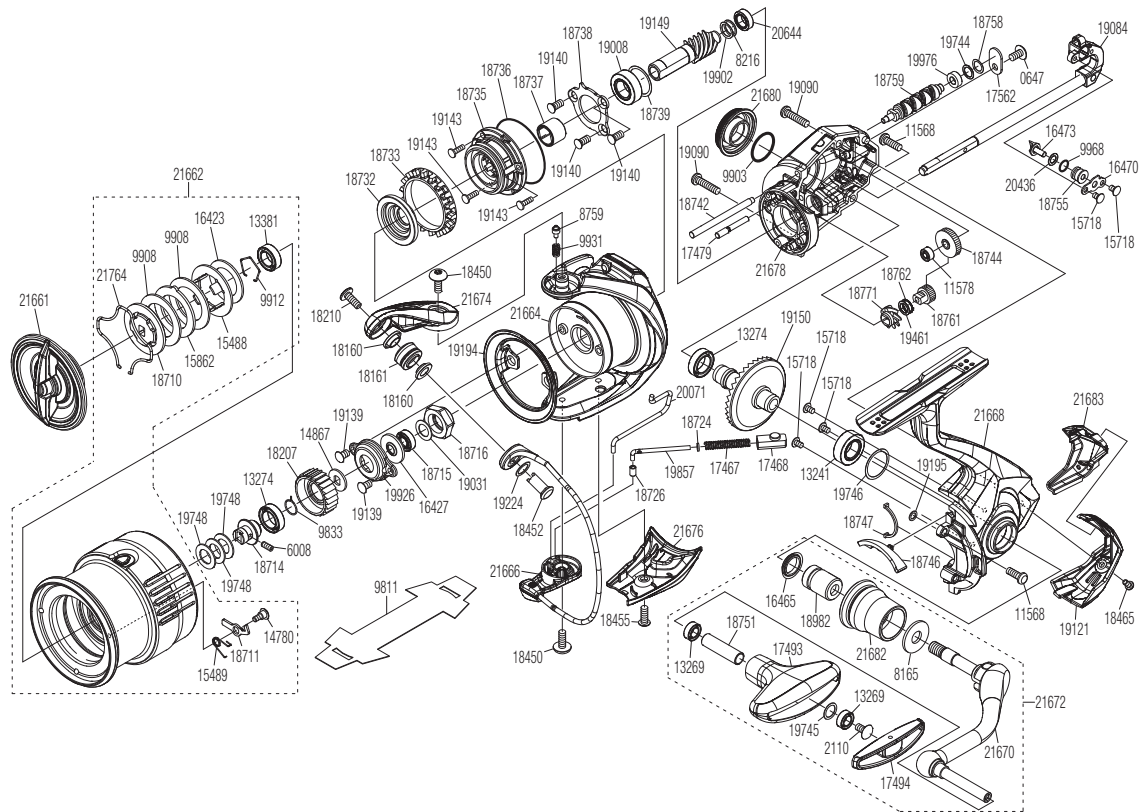


# SHIMANO

## EXSENCE SA-RB

## EXS-C3000MHG



Please note that the number of adjusting washers may not be the same as shown in the exploded views. (Adjustment will vary with each individual product.)

RD 18735 Roller Clutch Assembly please send the equipment out to after-sales service for replacement of the roller clutch assembly.

(51SF50E037X)

Part No.	Description	Part No.	Description	Part No.	Description
RD 0647	Screw	RD18465	Screw	RD19745	Washer
RD 2110	Screw	RD18710	Key Washer B	RD19746	Washer
RD 6008	Set Screw	RD18711	Drag Click	RD19748	Spool Washer
RD 8165	Washer	RD18714	Spool Bearing Bushing	RD19857	Bail Spring Guide A
RD 8216	Spacer	RD18715	Main Shaft Spacer Assembly	RD19902	Washer
RD 8759	Click Pin	RD18716	Rotor Nut	RD19926	Nut Lock Plate
RD 9833	Ratchet Spring	RD18724	Spring Guide A Support Collar	RD19976	Bushing
RD 9903	O Ring	RD18726	Bail Spring Guide A Bush	RD20071	Bail Trip Lever
RD 9908	Drag Washer A	RD18732	Rotor Ring	RD20436	Washer
RD 9912	Bearing Retainer	RD18733	Friction Ring	RD20644	Ball Bearing
RD 9931	Click Spring	RD18735	Roller Clutch Assembly	RD21661	Drag Knob Assembly
RD 9968	O Ring	RD18736	Roller Clutch Case Seal	RD21662	Spool Assembly
RD11568	Screw	RD18737	Roller Clutch Inner	RD21664	Rotor Assembly
RD11578	Ball Bearing	RD18738	Bearing Retainer	RD21666	Bail Assembly
RD13241	Ball Bearing	RD18739	Washer	RD21668	Side Cover Assembly
RD13269	Ball Bearing	RD18742	Oscillating Guide A	RD21670	Handle Shank Assembly
RD13274	Ball Bearing	RD18744	Idle Gear	RD21672	Handle Assembly
RD13381	Ball Bearing	RD18746	Bail Trip Strike	RD21674	Bail Arm
RD14780	Screw	RD18747	Flange Water Proof	RD21676	Bail Hold Support Guard
RD14867	Spool Support	RD18751	Handle Knob Shaft Pipe	RD21678	Body
RD15488	Key Washer A	RD18755	Oscillating Slider Bushing	RD21680	Handle Screw Cap
RD15489	Drag Click Spring	RD18758	Washer	RD21682	Handle Shaft Cover
RD15718	Screw	RD18759	Worm Shaft	RD21683	Rear Shield
RD15862	Eared Washer	RD18761	Idle Gear (Small)	RD21764	Retainer
RD16423	Drag Washer B	RD18762	Washer		
RD16427	Bearing Water Proof	RD18771	Idle Gear (Large)		
RD16465	Handle Shaft Seal	RD18982	Handle Shaft Cover B		
RD16470	Oscillating Pawl Cover	RD19008	Ball Bearing		
RD16473	Oscillating Pawl	RD19031	Washer		
RD17467	Bail Spring	RD19084	Main Shaft Assembly		
RD17468	Bail Spring Guide B	RD19090	Screw		
RD17479	Idle Gear Shaft	RD19121	Rear Protector		
RD17493	Handle Knob	RD19139	Screw		
RD17494	Handle Knob Seal	RD19140	Screw		
RD17562	Worm Shaft Retainer	RD19143	Screw		
RD18160	Bearing Spacer	RD19149	Pinion Gear		
RD18161	Line Roller Set	RD19150	Drive Gear		
RD18207	Drag Click Ratchet	RD19194	Rotor Brim		
RD18210	Screw	RD19195	Washer		
RD18450	Screw	RD19224	Washer		
RD18452	Line Roller Support	RD19461	Washer		
RD18455	Screw	RD19744	Washer		
				RD 9811	Reel Seat Spacer (accessory)