

INSTALLATION MANUAL

DOUBLE-HANDLE 4-HOLE SHOWER / BATH MIXER

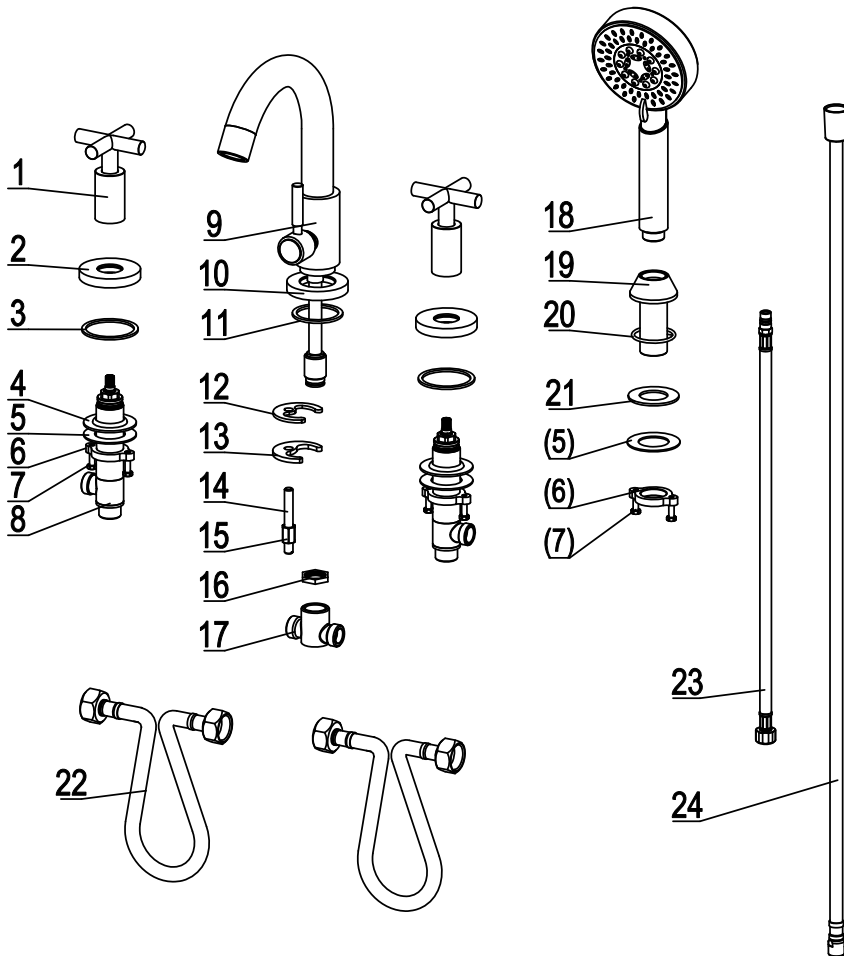
ITEM NO.: AB2503-PC AB2503-BN



※Components Checking

LIST OF COMPONENTS:

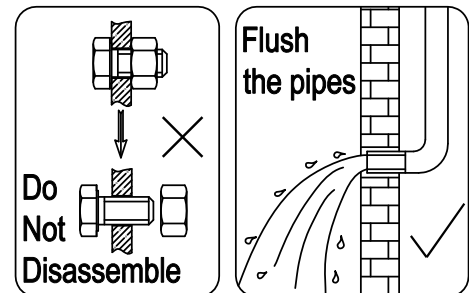
Please double-check the components list hereinafter and contact us or our distributor for any unconformity.
Remarks: 1. Without affecting their efficiency, components may be changed without further notice.
2. Drawings for reference only. Product size & shape refer to actual faucet.



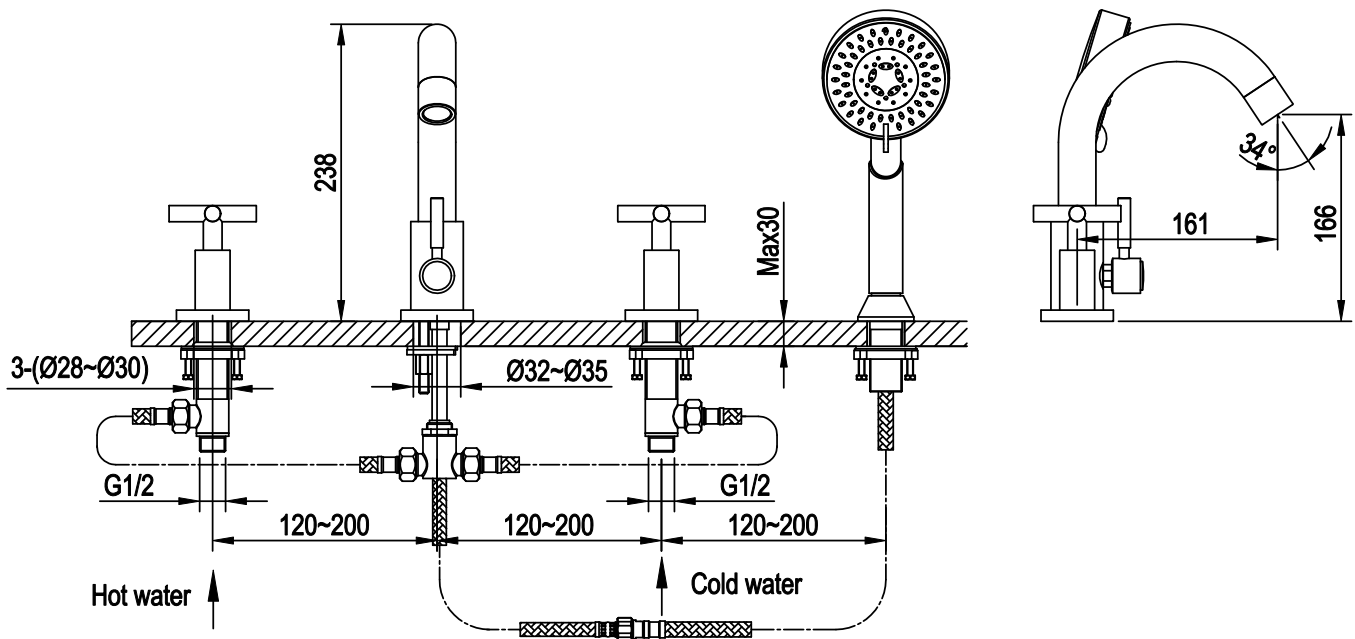
The Component List	Qty.
1. Handle	2
2. Base A	2
3. Washer A	2
4. Taper washer	2
5. Metal gasket	3
6. Nut	3
7. Screw	6
8. Control valve unit	2
9. Spout	1
10. Base B	1
11. Washer B	2
12. 1-hole washer	1
13. 1-hole gasket	1
14. Bolt	1
15. Hexagon nut A	1
16. Hexagon nut B	1
17. T-union	1
18. Handshower	1
19. Shower hook	1
20. O-ring	1
21. Washer C	1
22. Dicephalous hose	2
23. Connective hose	1
24. Shower hose	1

※Installation instructions:

- ☆ Do not disassemble the main body, as it has been installed & commissioned correctly & precisely before leaving the factory.
- ☆ To avoid the faucet from jamming, do flush the water pipe before installation.
- ☆ After installation, make sure every joint are safely sealed & no leaking.
- ☆ The nominal water pressure is 0.05 -1.0Mpa (including cold & hot water pressure), suitable for water temperature : 4℃ - 90℃.
- ☆ Make sure to connect the hot/cold inlet pipe correctly, if standing in front, hot water pipe connecting to the left & cold water pipe connecting to the right.



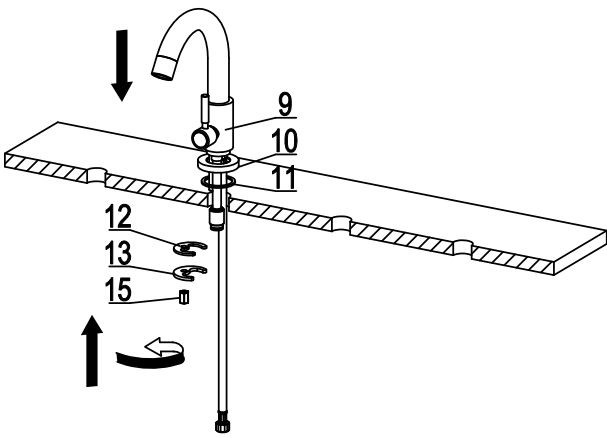
※ Dimension drawing



※ Installation Procedures

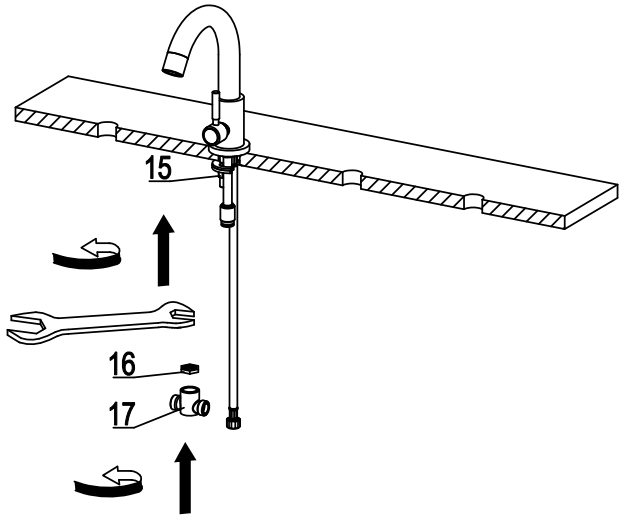
<p>1.</p>	<p>2.</p>
<p>1. Make sure of enough thickness of deck and the right size of the mounting holes before installation. The distance between two holes:120~200mm.</p>	<p>2.Loosen the hexagon nut A(15) from the bolt(14), screw the connective hose (23) and bolt(14) onto the spout(9) .</p>

3.



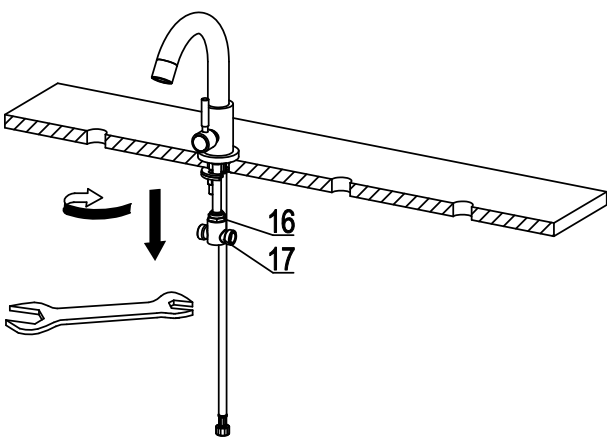
3. Put the spout(9) into the mounting hole with the base B (10) and washer B(11), fix the 1-hole washer(12) , 1-hole gasket(13) and hexagon nut A(15) from the bottom.

4.



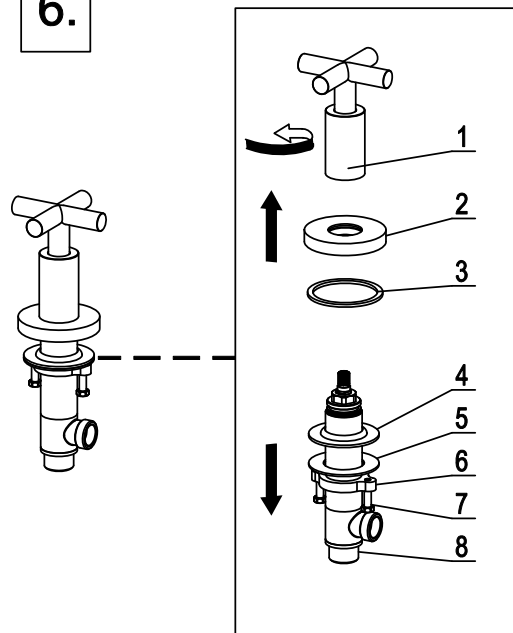
4. After adjusting the direction of the spout, tighten the hexagon nut A(15) with a wrench, and fix the hexagon nut B(16) and T-union(17) onto the inlet of the spout.

5.

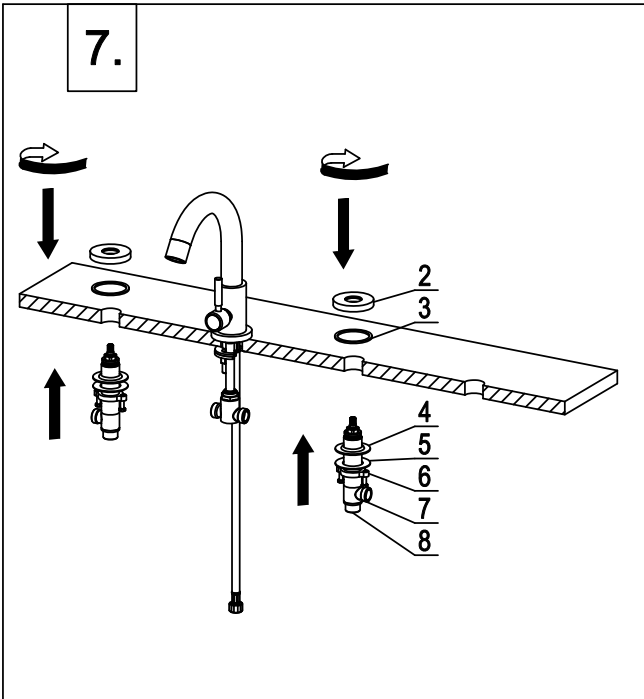


5. After adjusting the direction of the T-union(17), tighten the hexagon nut B(16) with a wrench.

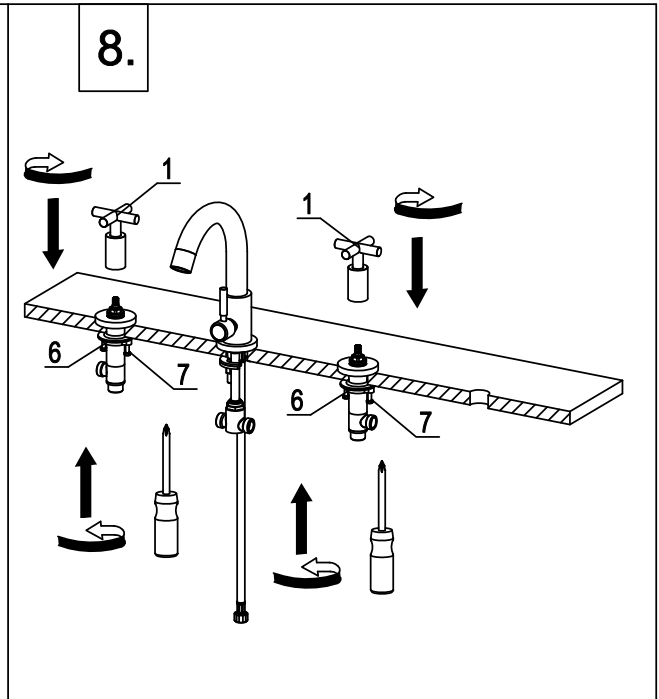
6.



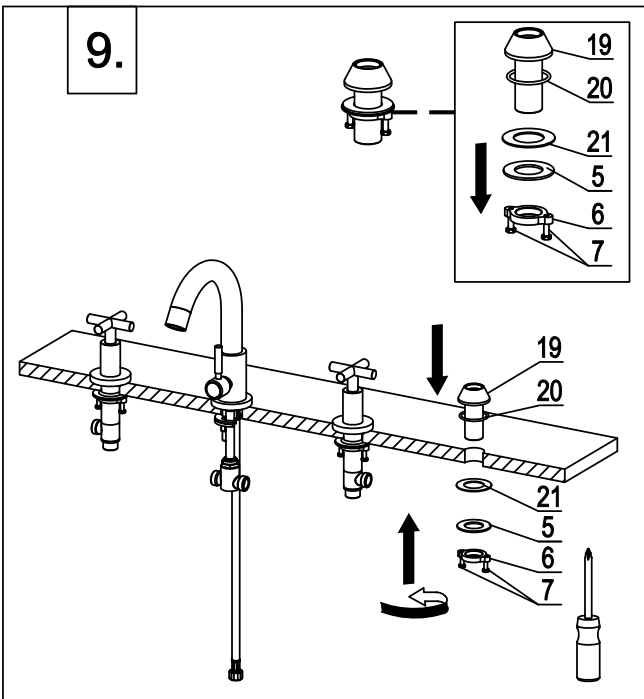
6. Remove the handle(1), base A(2) and washer A(3) from the control valve unit(8).



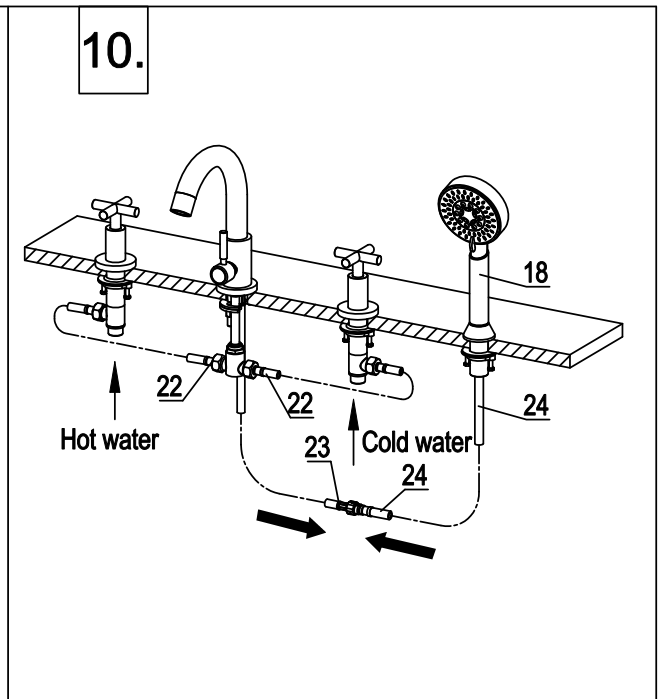
7. put the control valve unit(8) with the taper washer(4), metal gasket(5), nut(6) and screws(7) into the mounting hole from the bottom, then install the washer A(3) and base A(2) from the top.



8. After adjusting the direction of the control valve unit, screw the nut(6) and tighten the screws(7) with a screwdriver, then screw the handle(1) onto the control valve unit and adjust its direction.



9. Remove the nut(6), metal gasket(5) and washer C(21) from the shower hook(19). Put the shower hook with O-ring(20) into the mounting hole, fix the shower hook with the washer C, metal gasket nut and screws from the bottom.

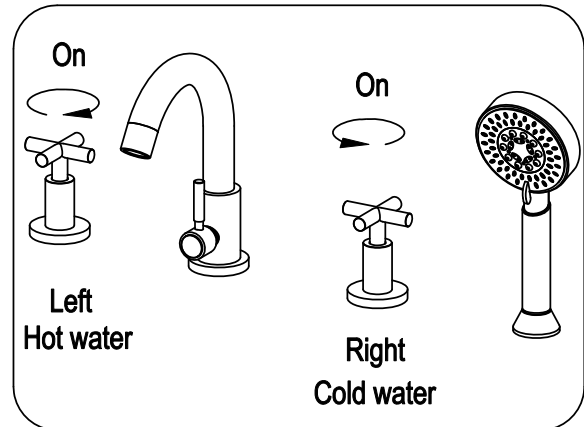


10. Connect correctly the supply hoses, dicephalous hose(22), connective hose(23), shower hose(24) and handshower(18) as per above fig. Finally, turn on the water supplies and check for leaks to finish installation.

✳ Usage

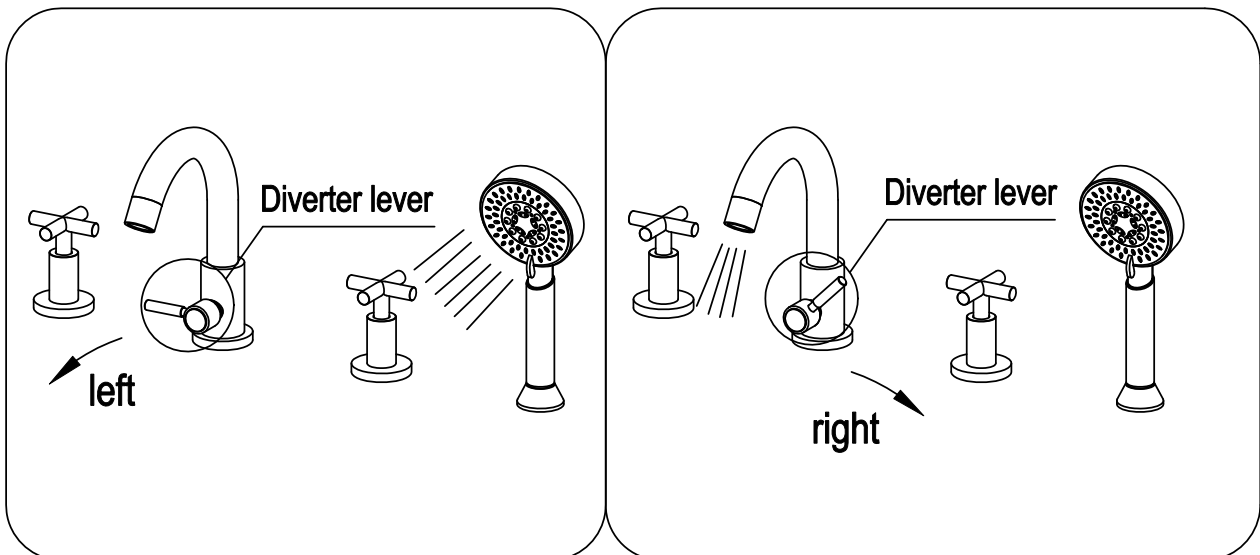
☆ Handle:

- 1) Control hot water with the left handle, and cold water with the right one.
- 2) Turn the left handle clockwise to open left valve, the more you turn, the large flow rate you will get.
To close or reduce the flow rate, just turn opposite way.
- 3) To open the right valve, just operate in reverse.



☆ Diverter:

- 1) Turn the diverter lever anti-clockwise to the left, the water comes from the handshower.
- 2) Turn the diverter lever clockwise to the right, the water comes from the spout.



✳ Cleaning & Maintenance

☆ To keep the product clean, shining and in good condition, follow the steps as below:

1. To clean, flush with clean water and dry with a soft cloth.
2. If any dirt, clean with soft liquid or transparent glass detergent.
3. Do not use any abrasive cleaning products, such as scrubbing detergent, polisher, sand-cloth, paper tissue, or scrapper.
4. Do not use detergents or soap that contain acid or that are undissolvable.



✳ This installation instruction is only for your reference, the final right to explain & to revise it belongs to us.