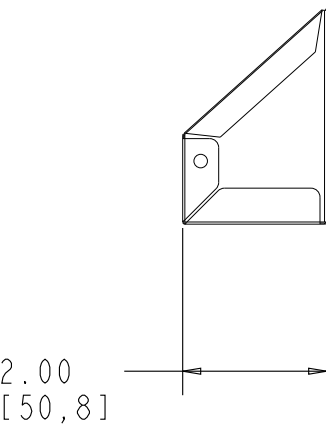
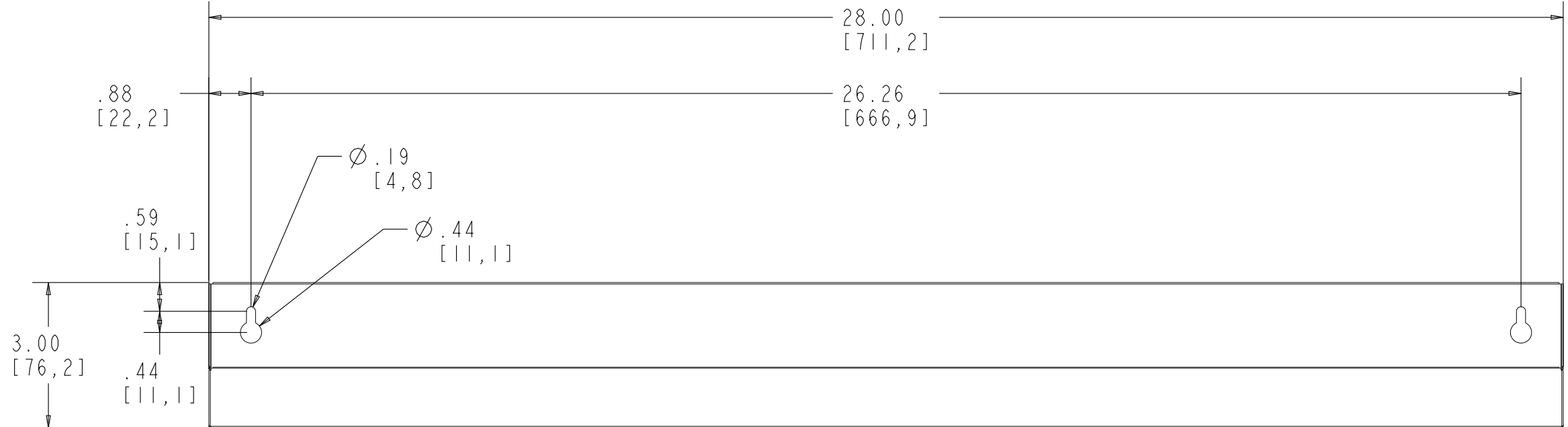


NOTES:  
 1. MATERIAL: .015 TK BRIGHT 430 STAINLESS STEEL

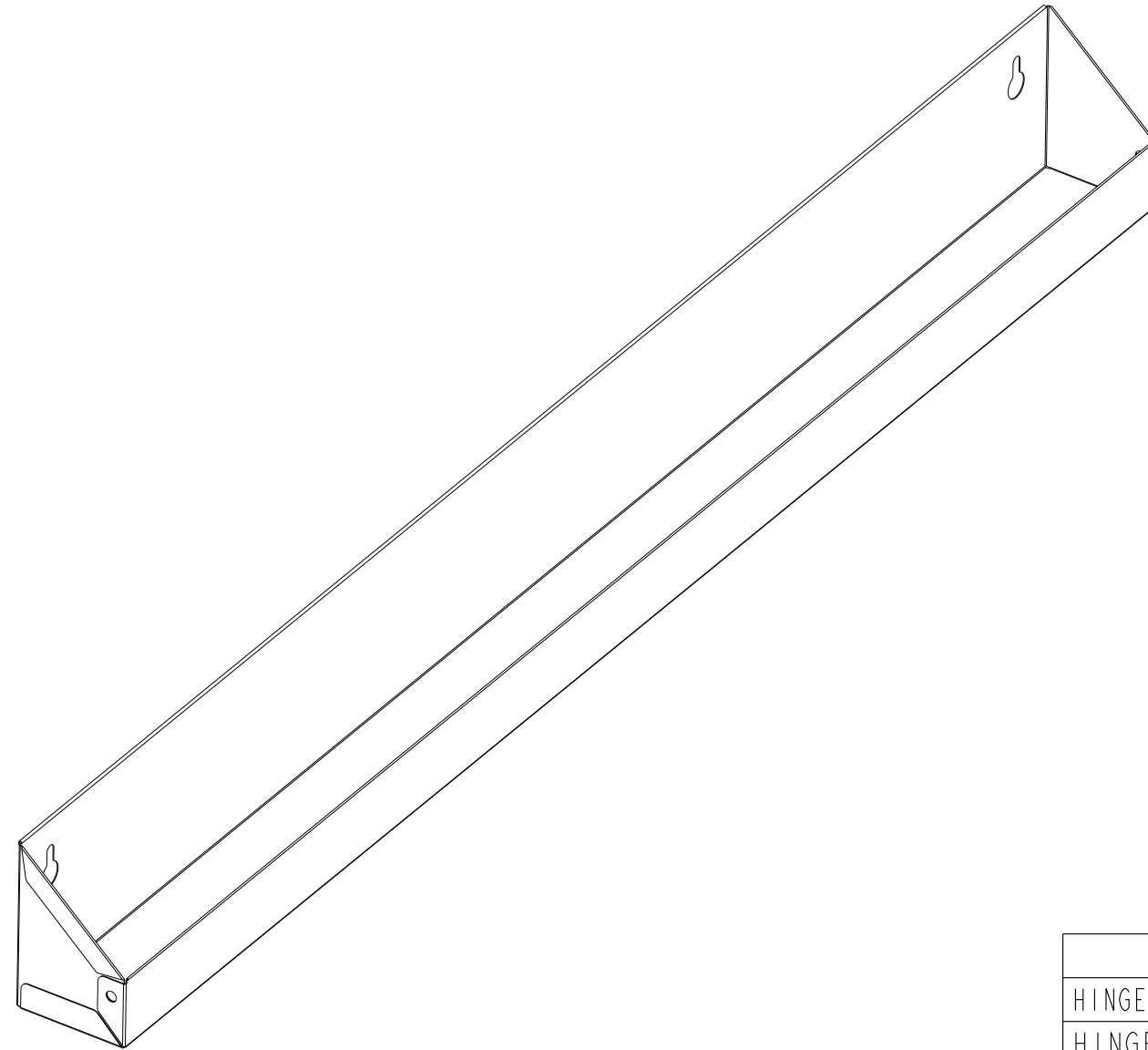


This drawing is the property of Rev-A-Shelf (RAS) and is disclosed in confidence to the extent its subject matter is original to RAS. Any vendor receiving this drawing from RAS shall hold and use this drawing for the sole benefit of RAS and shall not disclose it to, or use or reproduce it for any third party, or perform any act adverse to the interest of RAS with respect to this drawing without the express written permission of RAS. Vendors shall not revise any physical, dimensional or performance characteristic unless authorized by Rev-A-Shelf Engineering.

REV.	DATE	BY	DESCRIPTION OF CHANGE

INCH [MM]	AMERICAN PROJECTION	DRAWN	BY	DATE	REV-A-SHELF, INC.
			BKT	7/29/14	
TOLERANCES			MATERIAL	DRAWING NO.	SCALE
MAT.	DEC.	ANGLES		6581-11-2800	
(WOOD) .XX ±.03 [8mm]	.XX ±.02 [5mm]	± 1/2°	FINISH	PART NO.	SHEET OF
(ALL) .XXX ±.005 [13 mm]	FRACTIONS ±1/32 [8 mm]			6581-11-2800	

CUSTOMER DRAWING



PART DIMENSIONS	
WIDTH	28.00 [711,2]
DEPTH *	2.00 [50,8]
HEIGHT **	3.00 [76,2]

\* DEPTH W/ SOFT-CLOSE HINGES: 2.61 [66,2]

\*\* HEIGHT W/ SOFT-CLOSE HINGES: 3.82 [97]

MIN CABINET OPENING ***				
	FACE FRAME	FRAMELESS	INSET FACE FRAME	INSET FRAMELESS
WIDTH	30.25 [768]	30.25 [768]	30.25 [768]	30.25 [768]
DEPTH	2.75 [69,9]	2.75 [69,9]	3.50 [88,9]	3.50 [88,9]
HEIGHT	3.88 [98,4]	3.88 [98,4]	3.88 [98,4]	3.88 [98,4]

\*\*\* MCO BASED ON SOFT-CLOSE HINGES

HINGE SPECIFICATIONS				
HINGE PART NUMBER	LD-0220-50SC-40	RELEASE PART NUMBER	N/A	MAX WEIGHT RATING
HINGE TYPE	PIVOT	HINGE EXTENSION	50°	
HINGE CLOSING	SOFT-CLOSE	HINGE LENGTH	N/A	N/A
HINGE MOUNTING	SIDE	HINGE FINISH	ZINC	

CUSTOMER DRAWING

This drawing is the property of Rev-A-Shelf (RAS) and is disclosed in confidence to the extent its subject matter is original to RAS. Any vendor receiving this drawing from RAS shall hold and use this drawing for the sole benefit of RAS and shall not disclose it to, or use or reproduce it for any third party, or perform any act adverse to the interest of RAS with respect to this drawing without the express written permission of RAS. Vendors shall not revise any physical, dimensional or performance characteristic unless authorized by Rev-A-Shelf Engineering.

REV.	DATE	BY	DESCRIPTION OF CHANGE

INCH [MM]	AMERICAN PROJECTION	DRAWN	BY	DATE	REV-A-SHELF, INC.
			BKT	7/29/14	
			MATERIAL	DRAWING NO.	SCALE
			FINISH	6581-11-2800	0.375
				PART NO.	SHEET OF
				6581-11-2800	2 2

TOLERANCES  
 MAT. DEC.  
 (WOOD) .XX ±.03 [.8mm]  
 (OTHER) .XX ±.02 [.5mm]  
 (ALL) .XXX ±.005 [.13 mm]  
 FRACTIONS ±1/32 [.8 mm]

ANGLES ±1/2°