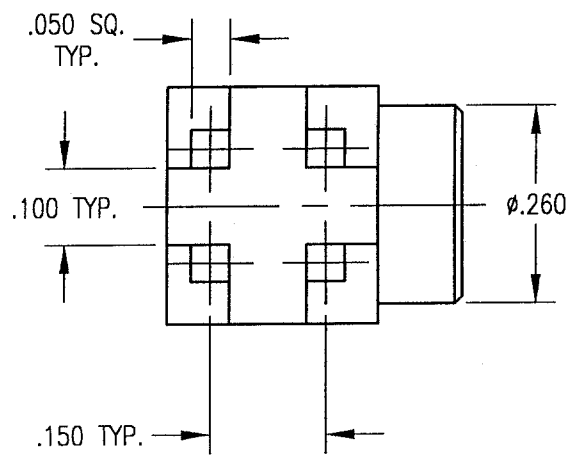
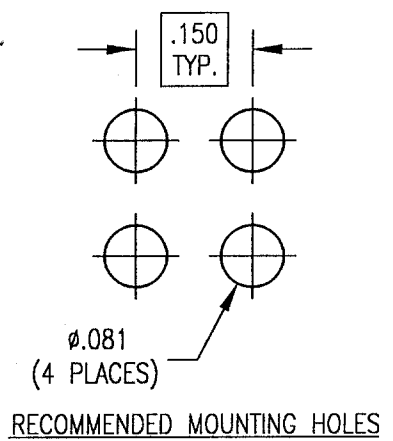
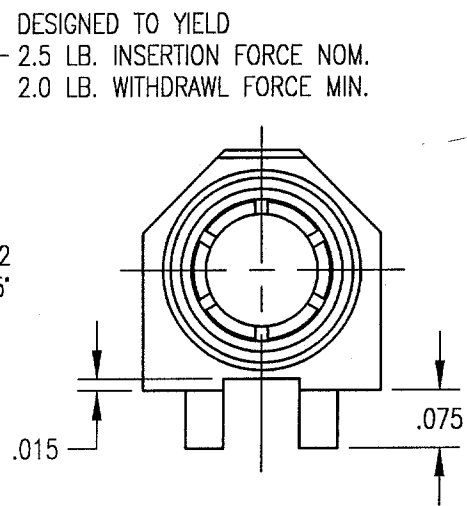
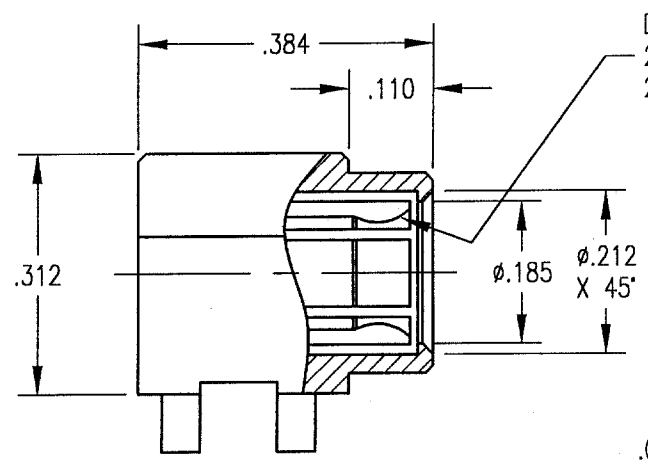


DRG. NO.		01247	
REV	DESCRIPTION	BY	APPD
B	ECN 2410	JH	JH



- NOTES:
- MATERIALS:
 OUTER BODY: BRASS PER ASTM B16
 FINGERS: BERYLLIUM COPPER PER ASTM B196
 - FINISH:
 BODY AND FINGERS: .000030 MIN. GOLD PER MIL-G-45204 OVER
 .000050 MIN. NICKEL PER QQ-N-290
 - DESIGNED FOR USE IN .042 P.C. BOARD.
 - INSERTION: 3 LB. MAX.
 WITHDRAWL: 2 LB. MIN.

PER ASME Y14.5M-1994 UNLESS OTHERWISE SPECIFIED: DIMENSIONS ARE IN INCHES OR INCHES/MM		Litton	
TOLERANCES: DECIMALS .XX ± .01/0.254 XXX ± .005/0.127 ANGLES ± 2°		400 Park Road Wolcott, Connecticut 06795	
SCALE: 4:1		Winchester Electronics/RETCONN	
CUSTOMER DRAWING		TITLE RIGHT ANGLE P.C. MOUNT POWER RECEPTACLE	
DRAWN KJT	DATE 10/20/99	CHECKED JED	DATE 11/9/99
APPROVED JMC	DATE 11/9/99	APPROVED JH	DATE 11/9/99
A		01247	SHT. OF REV. 1 1 B