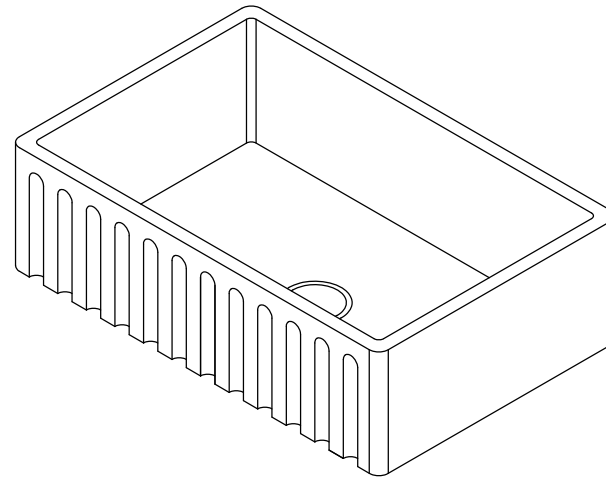
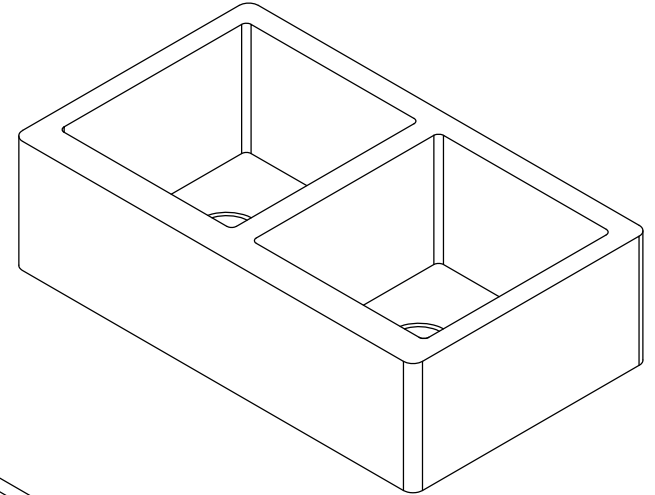


# GOURMETIER™

KINGSTON CREATION



	<b>⚠ WARNING</b>
<b>Lifting hazard.</b>	
Single person lift could cause injury. Use assistance when moving or lifting.	

www.kingstonbrass.com  
TOLL-FREE CUSTOMER SERVICE: 1-877-2-KBRASS  
TECHNICAL SUPPORT E-mail: [service@kingstonbrass.com](mailto:service@kingstonbrass.com)  
12775 Reservoir Street, Chino, CA 91710

# GOURMETIER™

## KINGSTON CREATION

### INSTALLATION INSTRUCTIONS

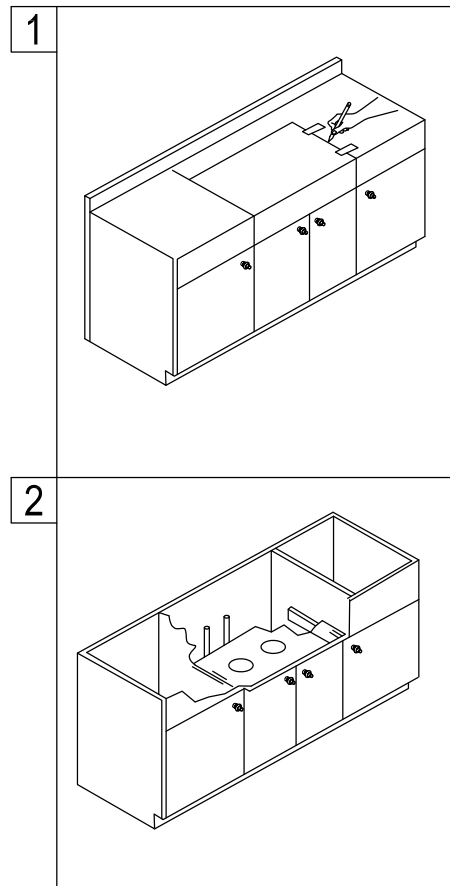
#### For Use CERAMIC FARMHOUSE SINK

This sink is designed to be installed as a undermount on a cabinet, please follow the directions accordingly.

#### Before Installation:

- Follow all local building codes.
- Open box and make sure that all the components are complete.

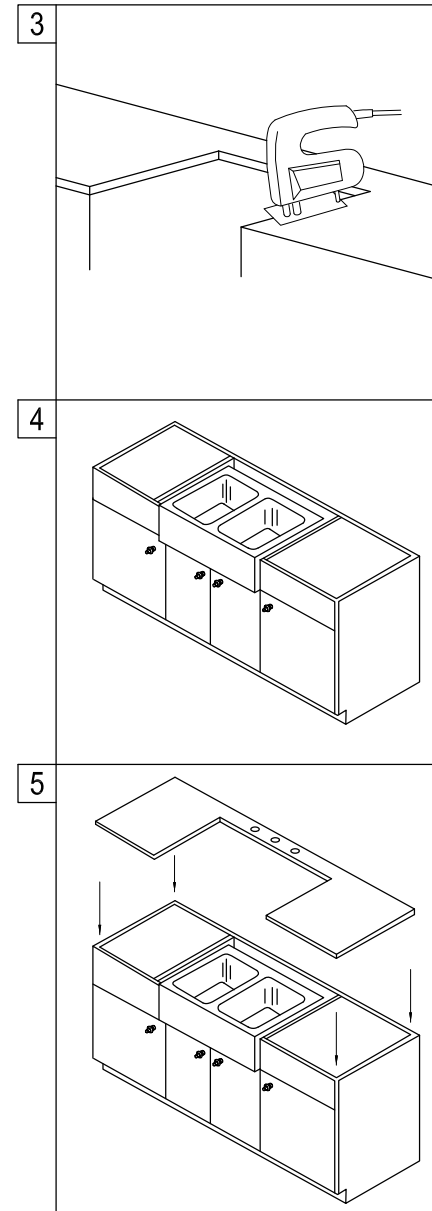
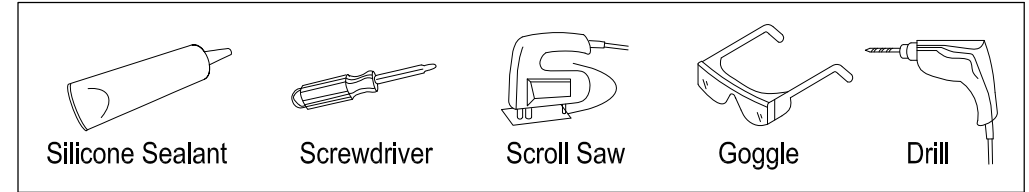
#### Installation Step:



1. Cut out the template and place it on the countertop, making sure that the sink front is parallel to the front of the counter. Be sure the sink is properly centered, both front to back and side to side. Check for adequate clearance relative to cabinet walls and pull-out or tilt-down drawers. Tape the template in place. Trace around the template.

2. Install 2" x 4" supports across the base cabinet, the sink should be able to sit on top of the supports and its top rim should be at a point right below the finished countertop.

#### Need Tools:



3. Cut the countertop along the template line and add 1/8" to the height of the sink and cut front of the cabinet using that dimension with the proper tool for the countertop material, sink should be supported by the 2" x 4" supports not the cabinet front, depending on the configuration of your base cabinet, it may be necessary to remove the doors and replace them with smaller doors.

4. Install the sink in the opening, check that the sink is level from side to side and front to back, add wood shims if necessary, once sink has been leveled, fill the gaps using silicone caulking.

5. Install drain basket, faucets and other accessories such as a side spray or soap/lotion dispenser onto the sink.