



Project Name: _____

Location: _____

Item #: _____ Qty: _____

Model: _____

ICE STORAGE BINS

MODEL: MIB310N MIB470N MIB580N MIB400 MIB580

The Maxx Ice family of ice bins are available in multiple models to fit your ice storage capacity needs, and are designed to fit perfectly with Maxx Ice Intelligent Series Modular 22" and 30" ice machines as well as similar sized commercial machines.



MIB310N



MIB470N



MIB580N



MIB400



MIB580

FEATURES AND CONSTRUCTION

- Stainless steel and black trim exterior (MIB310N / MIB470N / MIB580N)
- All-stainless steel exterior (MIB400 / MIB580)
- Polyethylene storage bin liner for improved sanitation
- LED illuminated interior when access lid is open - (powered via connection to ice machine head - sold separately). Feature available only in MIB310N, MIB470N, and MIB580N
- Ice scoop and holder are above the ice line for easy access and improved sanitation
- 6" adjustable legs
- 3/4" drain hookup

MAXIMUM STORAGE CAPACITY

MIB310N	310 lbs (141 kg)
MIB470N	470 lbs (213 kg)
MIB580N	580 lbs (263 kg)
MIB400	400 lbs (213 kg)
MIB580	580 lbs (263 kg)

COMPATIBLE MAXX ICE MODELS*

MIB310N (22" Width):

- MIM360N
- MIM360NH

MIB470N / MIB580N / MIB400 / MIB580 (30" Width):

- MIM370N
- MIM370NH
- MIM500N
- MIM500NH
- MIM650N
- MIM650NH
- MIM1000N
- MIM1000NH

3RD PARTY APPROVALS



Certified to ANSI NSF 12

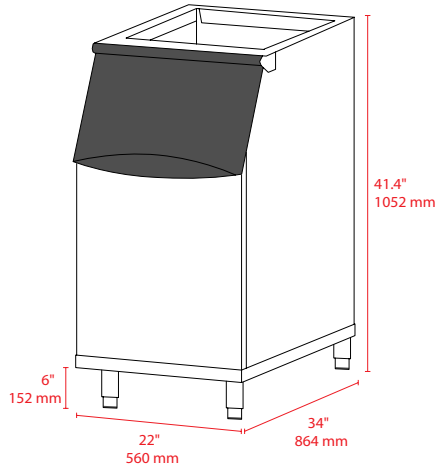
MAXX ICE WARRANTY (USA / CANADA)

Contact Maxx Ice for warranty statement at TechnicalServices@TheLegacyCompanies.com or 877.368.2797

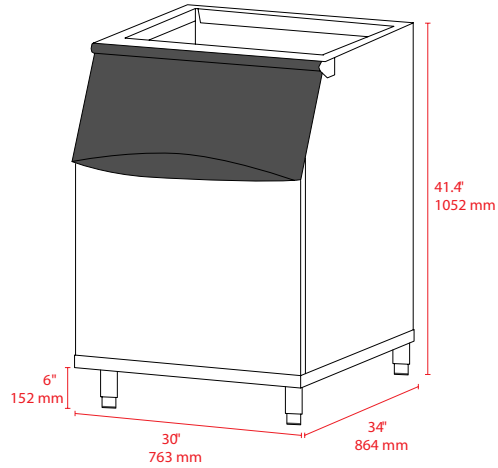
*MIB Series bins will accommodate any similarly sized ice machine from any manufacturer



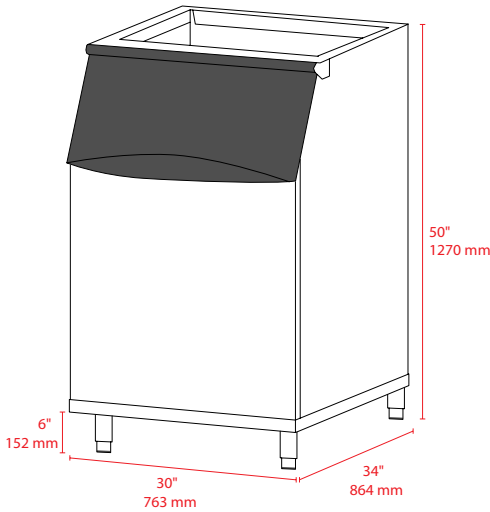
MIB310N



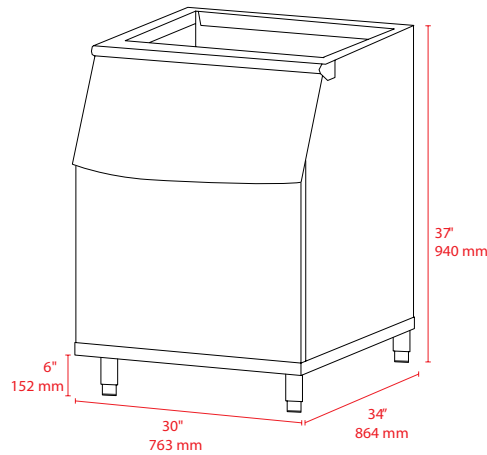
MIB470N



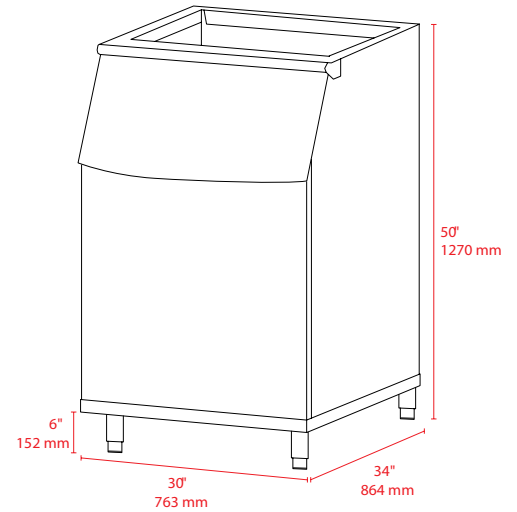
MIB580N



MIB400



MIB580



MODEL	EXTERNAL DIMENSIONS	MAXIMUM ICE STORAGE CAPACITY	AHRI CAPACITY	SHIPPING WEIGHT	DRAIN LINE CONNECTION
MIB310N	22" x 34" x 41.4" (560 x 864 x 1052 mm)	310 lbs (141 kg)	246 lbs (112 kg)	99.5 lbs (45 kg)	3/4"
MIB470N	30" x 34" x 41.4" (763 x 864 x 1052 mm)	470 lbs (213 kg)	376 lbs (171 kg)	117 lbs (53 kg)	3/4"
MIB580N	30" x 34" x 50" (763 x 864 x 1270 mm)	580 lbs (263 kg)	464 lbs (210 kg)	164 lbs (75 kg)	3/4"
MIB400	30" x 24" x 37" (763 x 864 x 940 mm)	400 lbs (181 kg)	320 lbs (145 kg)	112 lbs (50.8 kg)	3/4"
MIB580	30" x 34" x 50" (763 x 864 x 1270 mm)	580 lbs (263 kg)	464 lbs (210 kg)	164 lbs (75 kg)	3/4"

INSTALLATION

- Designed to fit perfectly with Maxx Ice Intelligent Series Modular Ice Machines and most other commercial modular ice machines.
- A gravity drain line is required to install these ice bins