

Wall-Mounted Rectangular Eye/Face Wash Bowl

FEATURES:

- (6) aerated chrome plated spray outlets
- Rectangular stainless steel bowl
- Yellow polypropylene shrouds
- Stainless steel push handle activation
- Chrome plated 1/2" NPT female brass valve
- 1/2" NPT female inlet
- Chrome plated brass in-line strainer
- 9.3 GPM (35.2 L/min) @ 30 PSI flow rate

OPTIONS:

- FPV: Freeze Protection Valve
- HFO: Hand/Foot Operation
- HS: Hand held drench hose
- PT: P-Trap
- SPV: Scald Protection Valve
- SSBV2: 1/2" Stainless Steel Ball Valve
- ADA: ADA compliant wall mount bracket

ADD-ONS:

- SE-TW-EW: Thermostatic Mixing Valve

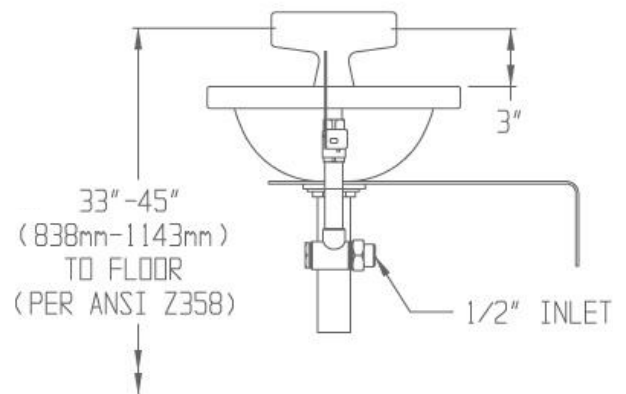
STANDARDS:

- ANSI/ISEA Z358.1 certified
- ADA compliant (SE-400-ADA)

WARRANTY:

Visit www.speakman.com for full product warranty information

- 3 Year Limited Warranty (commercial)



| ENSURE YOU ARE ANSI/ISEA Z358.1 Tepid Water Compliant by incorporating Speakman's 9.7 GPM Thermostatic Mixing Valve. | |
|--|--|
| | <ul style="list-style-type: none"> • STW-370: Thermostatic Mixing Valve (valve only) • SE-TW-EW: Thermostatic Mixing Valve with necessary connections for eye and eye/face wash products |

All dimensions are in inches (millimeters) unless otherwise specified and are subject to change without notice.

Architect/Engineer Approval Space:

P: 800-537-2107
 F: 800-977-2747
 W: WWW.SPEAKMAN.COM
 R: 03-MAY 2022