

Talis N
HighArc Kitchen Faucet, A-Style 2-Spray Pull-Down, 1.75 GPM
 Finishes : **polished nickel** Part no. : **72846831**



Description

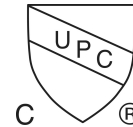
Features

- Swivel range adjustable in 4 steps 60°, 110°, 150° or 360°
- Aerated and needle spray
- Toggle spray diverter
- MagFit magnetic sprayhead docking
- Single-hole installation
- Flow: 1.75 GPM (6.6 L/Min)
- Ceramic cartridge
- 3/8" connections
- Integrated double backflow prevention
- 1 3/8" Mounting hole required
- Single lever kitchen mixer, connection hoses, Fastening set, Assembly instructions
- MASS/Massachusetts
- NSF61/IAPMO/N3016-(No NSF Logo!)
- DOE/FTC
- NSF372(LL)/Iapmo/6738-(No NSF Logo!)
- TECQ/Texas Registered
- ADA/IAPMO/3016
- CEC/California/Watersaving

Technology



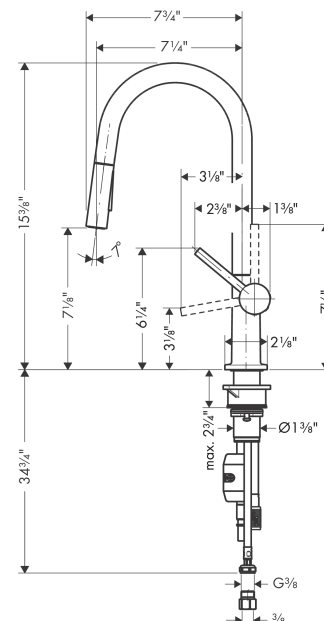
Compliance



Product image



Scale drawing

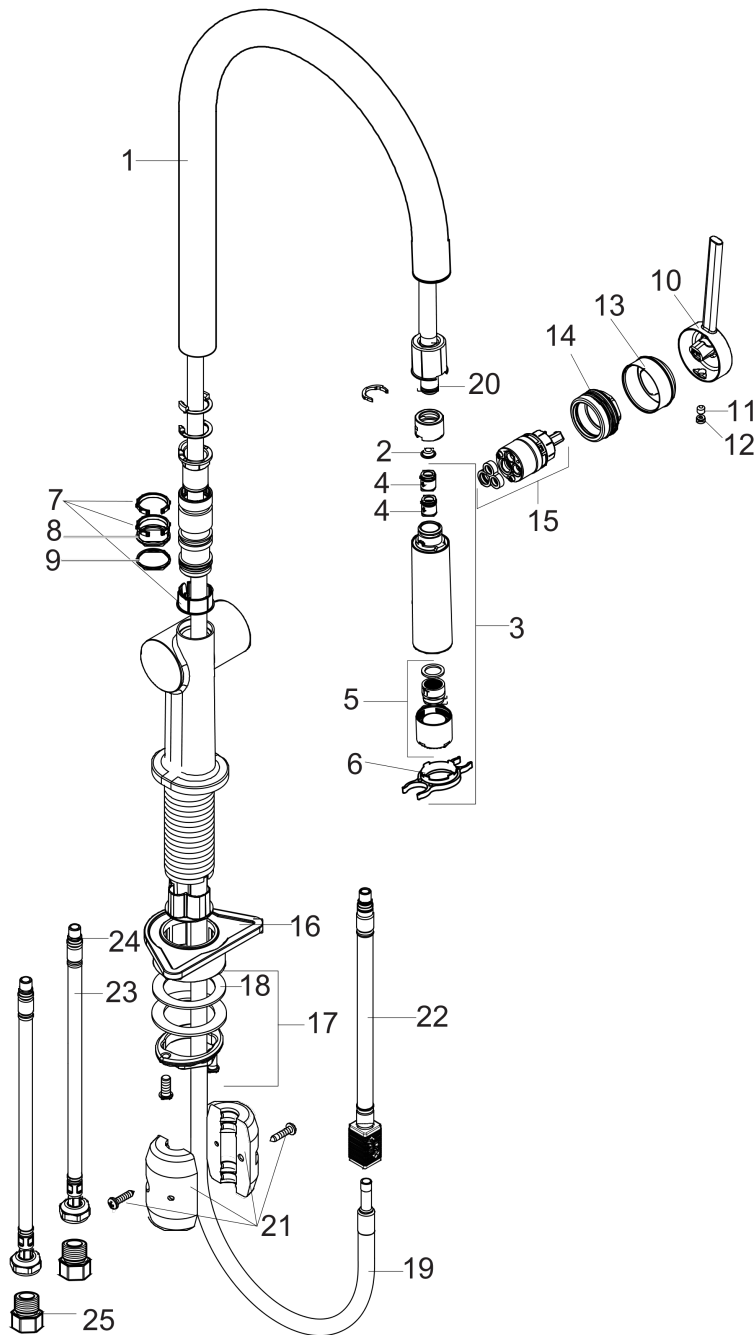


Talis N
HighArc Kitchen Faucet, A-Style 2-Spray Pull-Down, 1.75 GPM
 Finishes : **polished nickel** Part no. : **72846831**



Exploded drawing

Year of production: >06/20



Talis N
HighArc Kitchen Faucet, A-Style 2-Spray Pull-Down, 1.75 GPM
 Finishes : **polished nickel** Part no. : **72846831**



Spare parts list

Year of production: >06/20

Pos.	Description	Part no.	PC	PU
1	spout cpl.	93826830	0	1
2	filter	98516000	0	1
3	handspray	93741831	0	1
4	non return valve DW 10	96456000	0	1
5	spray former	93342001	0	1
6	service tool	95910000	0	1
7	set of lever collars	98365000	0	1
8	O-ring 19x2	98426000	0	1
9	O-ring 20x1,5	98197000	0	1
10	hollow set screw M5x5	98446000	0	1
11	screw cover	93735610	0	1
12	nut	93738000	0	1
13	cartridge, assy	93740000	0	1
14	support	97523000	0	1
15	fixing set (Ø 34)	95049000	0	1
16	lever collar	97548000	0	1
17	hose	93745000	0	1
18	O-ring 8x2	98112000	0	1
19	weight	92500000	0	1
20	hose	93744000	0	1
21	connection hose 900 mm M8x0,75 G3/8	93746000	0	1
22	O-ring 6,6x1,6	93019000	0	1
23	adapter for connection hose	88802000	0	1