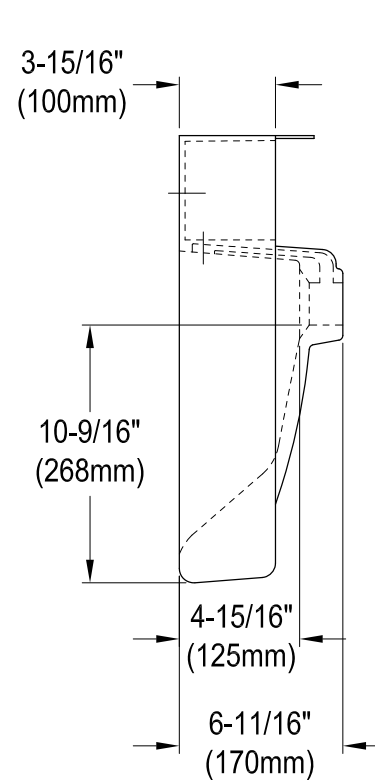
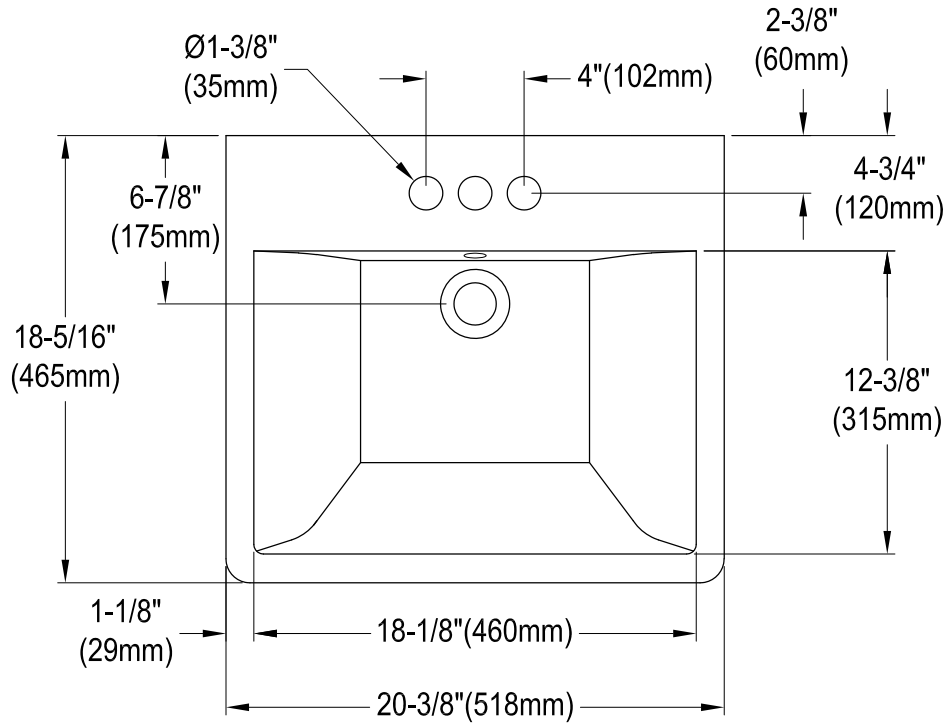


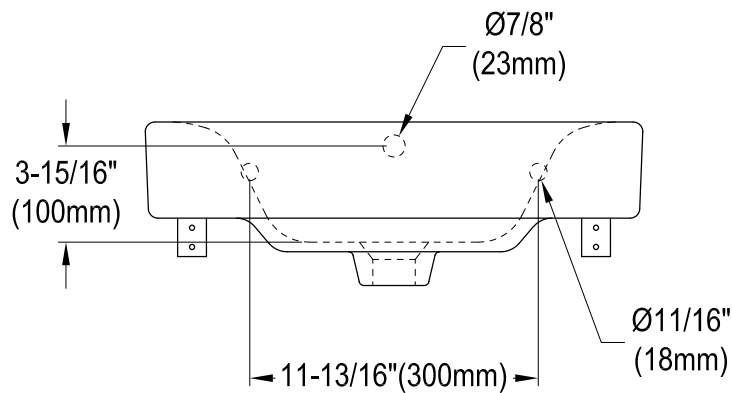
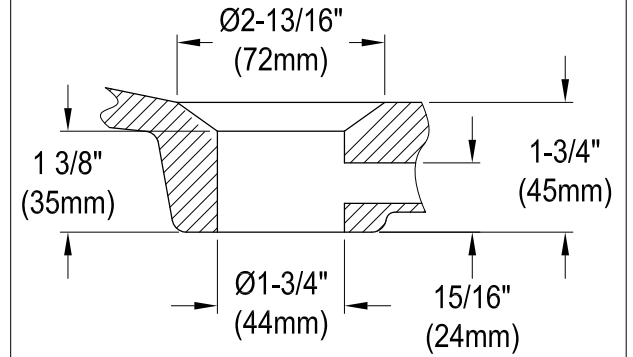
# EV2019W34

## Semi-Recessed Bathroom Sink



### Drain Hole Size

Scale (3:1)



### Bracket (2 pcs)

Scale 2:1

