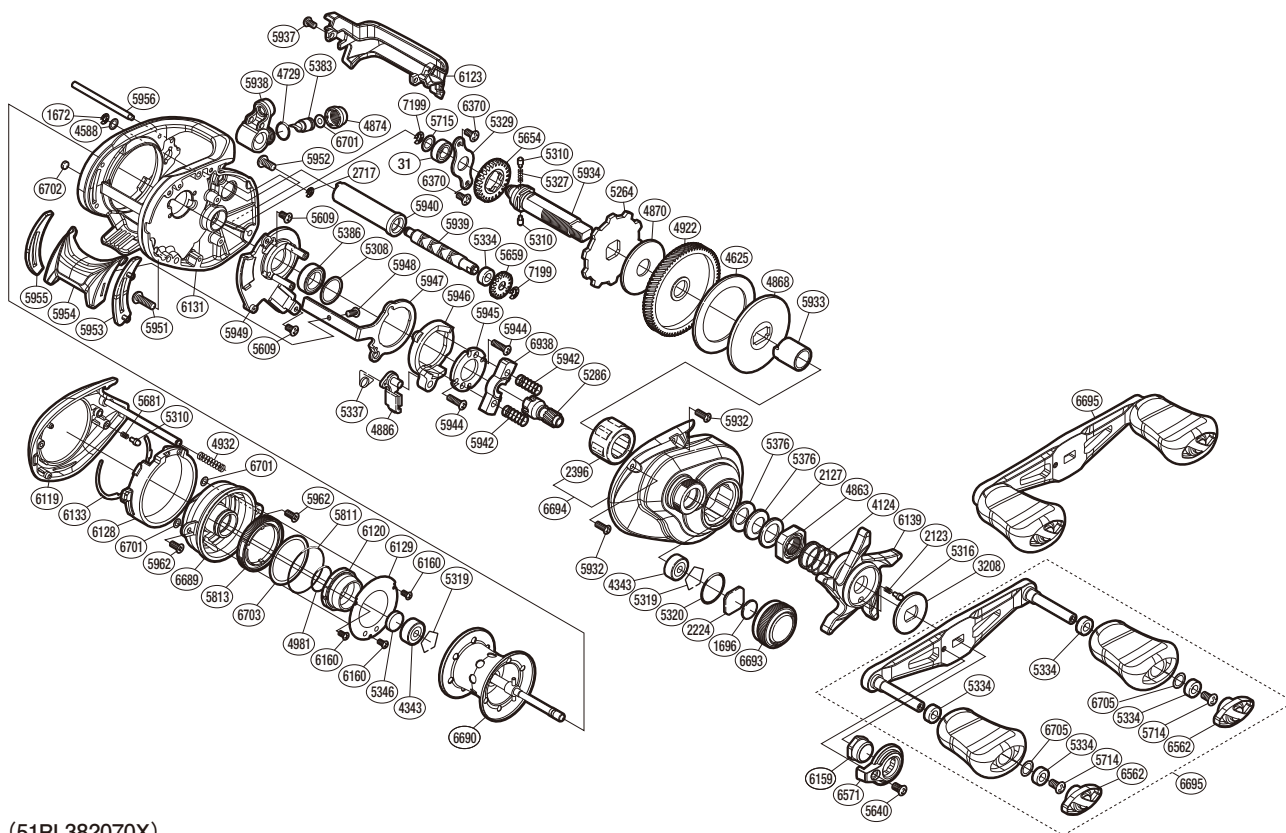


# SHIMANO

## SLX

## SLXMGL70HG



(51RL382070X)

#	Part No.	Description	#	Part No.	Description	#	Part No.	Description
0031	105BL	Ball Bearing	5334	10PXZ	Bushing	5953	100MH	Clutch Bar Guide B
1672	105NC	E Lock	5337	10R1H	Clutch Pawl Spring	5954	100ML	Clutch Button
1696	10896	Cast Control Spacer B	5346	10EX5	Spacer B	5955	100MW	Clutch Bar Guide A
2123	10BT2	Click Spring	5376	109F5	Drag Spring Washer	5956	100UT	Stabilizer Bar
2127	10J1N	Star Drag Spacer	5383	10BHQ	Line Guide Pawl	5962	B100UL	Screw
2224	1085F	Spool Tension Spacer A	5386	10EX6	Ball Bearing	6119	10E6T	Left Side Plate Assembly
2396	10F5C	Roller Clutch Bearing	5609	10LCT	Screw	6120	10E6U	Brake Pipe Gear Assembly
2717	105NB	E Lock	5640	101VV	Screw	6123	10E6W	Level Wind Protector
3208	10J22	Star Drag Click Plate	5654	101K8	Idle Gear	6128	100NE	B Side Plate Cam Lever
4124	10A70	Star Drag Spring	5659	10SRL	Idle Gear	6129	100HC	Br Dial Retainer Plate
4343	105C3	Ball Bearing	5681	10KNH	Spring	6131	100N9	Frame
4588	10FJZ	Washer	5714	10LFA	Screw	6133	100ND	Washer
4625	106XT	Drag Washer	5715	10G6D	Washer	6139	100HF	Star Drag
4729	108WQ	O Ring	5811	10CG1	O Ring	6159	10E67	Handle Nut
4863	10A3T	Star Drag Nut	5813	1000Y	Brake Dial	6160	10E7R	Screw
4868	10D3H	Key Washer	5932	10LCY	Screw	6370	10E23	Screw
4870	10CHF	Drag Washer	5933	100UC	Roller Clutch Inner Tube	6562	1027R	Handle Knob Seal
4874	10FJB	Pawl Cap	5934	100UP	Drive Shaft	6571	1017T	Handle Nut Plate
4886	10MME	Clutch Pawl	5937	100U4	Screw	6689	10RWT	Dial Case
4922	10CMC	Drive Gear	5938	10DUG	Line Guide Assembly	6690	10SY0	Spool Assembly
4932	10GQZ	Spring	5939	100U6	Worm Shaft	6693	10050	Cast Control Cap
4981	10LA8	O Ring	5940	100UF	Level Wind Guard	6694	10SXZ	Right Side Plate Assembly
5264	10D73	Anti-Reverse Ratchet	5942	100U9	Yoke Spring	6695	10RWZ	Handle Assembly
5286	10CSC	Pinion Gear	5944	10LV0	Screw	6701	10CFU	Washer
5308	10190	Washer	5945	100US	Clutch Cam Retainer	6702	108SL	Washer
5310	10HJG	Idle Gear Pin	5946	100UK	Clutch Cam	6703	10RHW	Washer
5316	10MFC	Click Pin	5947	100UG	Clutch Plate	6705	1020Z	Washer
5319	1054D	Bearing Retainer	5948	10LF4	Screw	6938	10S8M	Yoke
5320	10R22	O Ring	5949	10DUK	Clutch Guard Assembly	7199	105NK	E Lock
5327	10JDY	Idle Gear Spring	5951	100UU	Screw			
5329	109T1	Drive Shaft Retainer	5952	100UV	Screw			

Please note that the number of adjusting washers may not be the same as shown in the exploded views. (Adjustment will vary with each individual product.)

(230330)\_005