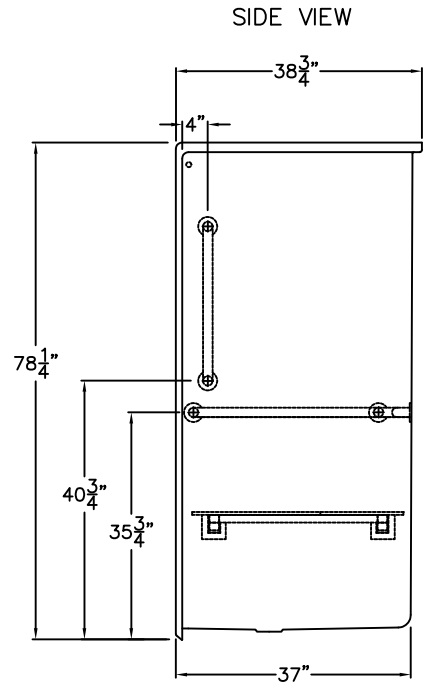
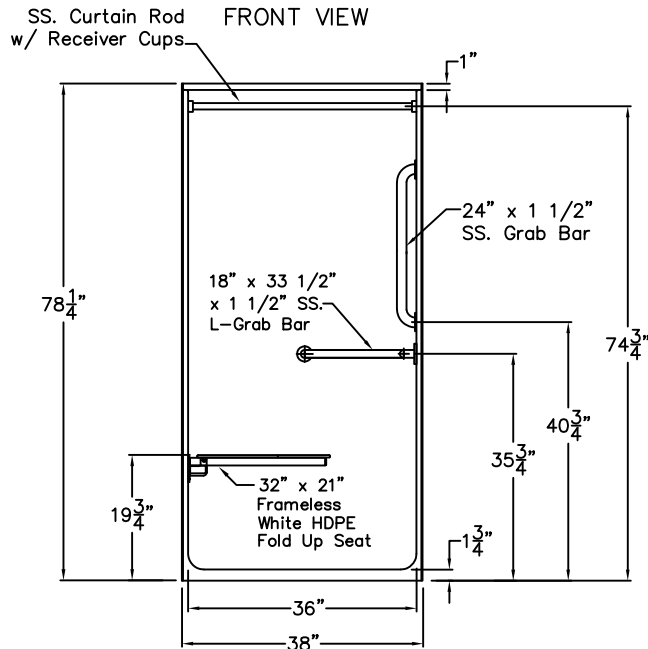


Special Needs Series

SUBMITTAL DATA



Transfer Shower Stall

The shower enclosure shall be Praxis Model HS 738 right or left. Finished surface shall be of a sanitary-grade polyester Gelcoat exhibiting a minimal thickness of 15 dry mils, and a finished cured Barcol hardness of 80-90 as tested with ASTM D-2583. Unit construction shall be of molded reinforced fiberglass with a 15% minimum fiberglass content. The unit shall have outside dimensions of 39" x 39 1/2" x 78". The base shall be attached to the sump of the unit in such a manner to form an integral part with an inner and outer coating of reinforced polyester resin. The unit shall meet ADA, ANSI A117.1, BOCA, Home Innovation Research Lab, CSA B45.5-11, IAPMO Z124-2011, UPC, and shall meet the requirements of the Southern Building Code.

The enclosure shall be equipped with the following installed accessories:

- 1) one 18" x 33 1/2" x 1 1/2" diameter, 18 gauge stainless steel L-grab bar,
- 1) one 24" x 1 1/2" diameter, 18 gauge stainless steel grab bar vertical on the valve wall, with 1 1/2" statute clearance secured from the rear with stainless steel bolts and 3" x 3" x 11 gauge metal mounting plate,
- 3) Frameless white 32" x 21" HDPE fold up seat,
- 4) one inch diameter, 18 gauge stainless steel curtain rod with receiver cups,
- 5 1 3/4" Threshold.

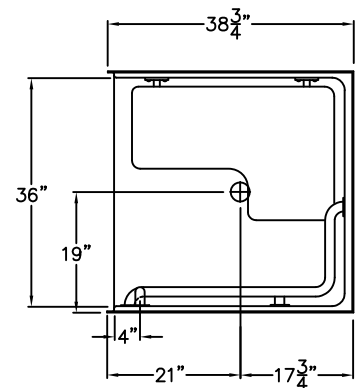
Available Options: 1) Hand held shower set (includes: hand set, 60" flex hose, swivel connector, vacuum breaker, brass nipple, locknut, wall brackets and shower wall outlet), 2) 24" or 30" slide bar, 3) Pressure balance valve, 4) Factory installed Easy Base, 5) Green shower curtain, anti-bacterial, and hooks, 6) White shower curtain and hooks.

THIS UNIT FEATURES THE OUTSIDE DIMENSIONS OF 39" OF OVERALL WIDTH. THIS DOES NOT ALLOW FOR FULL ENCLOSURE OF THE BOLTS THAT ARE USED TO SECURE THE BARS AND SEAT IN PLACE. THE BOLT AND NUT COMBINATION SHOULD NOT PROTRUDE ANY MORE THAN 3/4" ON EITHER SIDE OF THE SHOWER WALLS. THIS MAY REQUIRE THE NEED TO NOTCH STUDS TO ALLOW BOLT CLEARANCE FOR INSTALLATION.

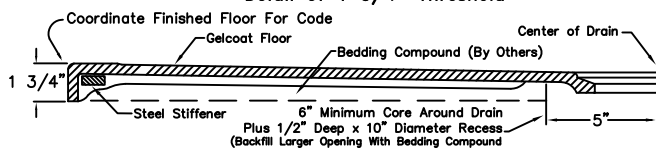
FOR A DRY WALL ENCLOSED FIRE WALL INSTALLATION, ADJUSTMENT OF THE WALLBOARD MAY BE NECESSARY TO PROVIDE CLEARANCE OF THE BOLT (S) WHILE MAINTAINING THE INTEGRITY OF THE DRYWALL ENCLOSED FIRE WALL ENCLOSURE.

NOTE: THIS UNIT WILL NOT ACCEPT A DOOR!

TOP VIEW



Detail of 1 3/4" Threshold



DUE TO THE NATURE OF THE MATERIALS DIMENSIONS MAY VARY ± 1/2"

PRAXIS

Approved by Print Name:

Drawing#: H 738 SLB VB FHDP CR

Approved by Signature:

Date Approved:

Date: 6-21-07

Revised: 6-4-14

Rep.:

Wholesaler:

Quote No.:

PRAXIS INDUSTRIES, LLC.
 435 INDUSTRIAL RD - SAVANNAH, TN 38372
 1 (800) 443-7269 - FAX (731) 925-4290