

## Features

- Two Lever handles offer separate control of hot and cold water
- 7-5/8" (194 mm) nondiverter spout
- KOHLER® ceramic disc valves exceed industry longevity standards for a lifetime of durable performance
- Coordinates with Alteo faucets, accessories, and showering components to complete your bathroom
- Trim only, requires valve to complete installation

## Material

- Premium metal construction for durability and reliability
- KOHLER® finishes resist corrosion and tarnishing

## Installation

- Deck- or bath-mount

## Required Products/Accessories

K-300-K 1/2" ceramic high-flow valve system

or

K-301-K 3/4" high-flow bath valve

## Recommended Products/Accessories

K-23723 Faucet cleaner  
K-37050 18" Towel Bar  
K-37051 24" Towel Bar  
K-37054 Pivoting toilet paper holder  
K-37055 Robe Hook  
K-37056 Vertical toilet paper holder  
K-37057 Towel Ring

## Optional Products/Accessories

73444 Roughing-in Kit for 1/2" Valve Systems  
1086701 Roughing-in Kit for 3/4" Valve Systems



ADA CSA B651 OBC

## Codes/Standards

ASME A112.18.1/CSA B125.1

ADA

ICC/ANSI A117.1

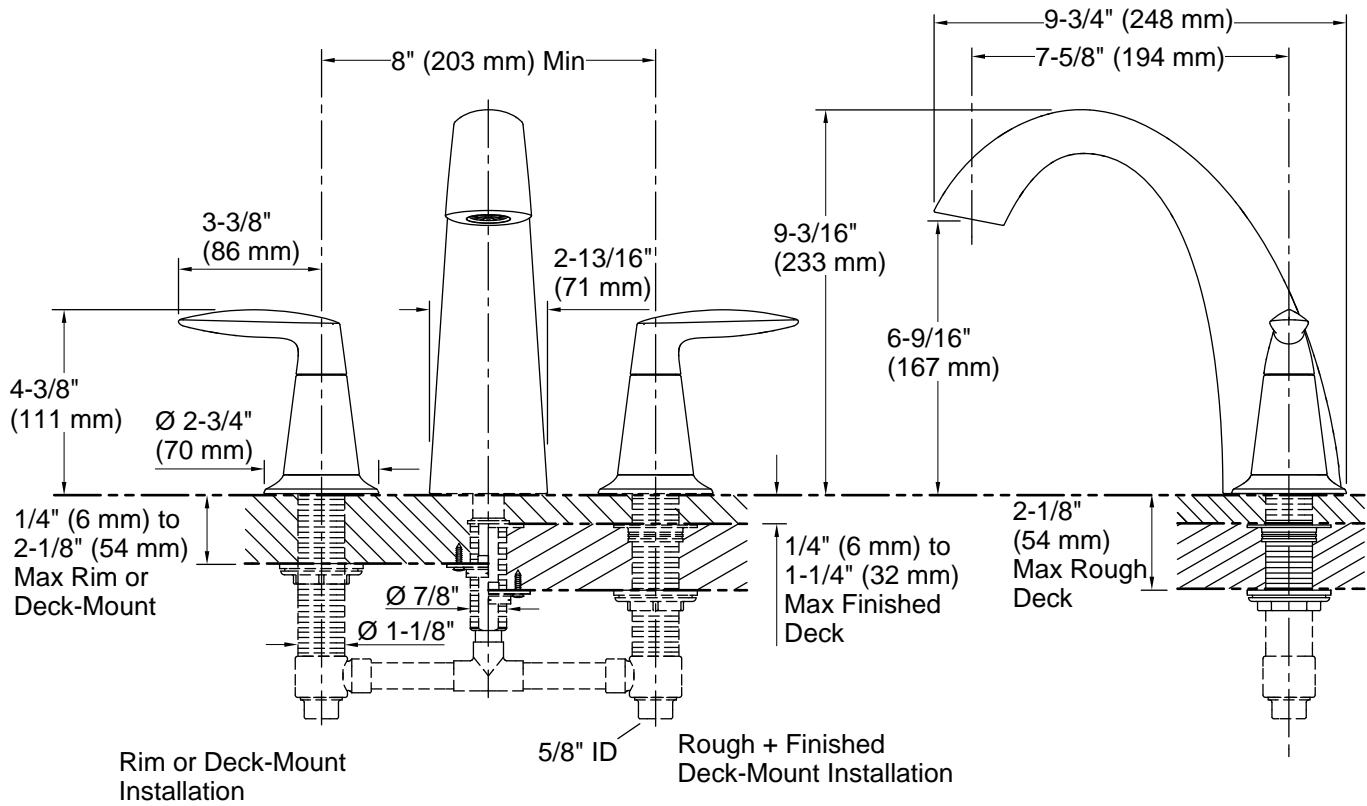
CSA B651

OBC

IAPMO Certification

## KOHLER® Faucet Lifetime Limited Warranty

See website for detailed warranty information.



## Technical Information

All product dimensions are nominal.

Drain included: No

### Spout:

Spout reach: 7-1/2" (191 mm)

### Handshower:

Rated maximum flow: 0 gal/min (0 l/min)

## Notes

Install this product according to the installation instructions.

ADA, OBC, CSA B651 compliant when installed to the specific requirements of these regulations.