

Dotted line size: 381*432mm

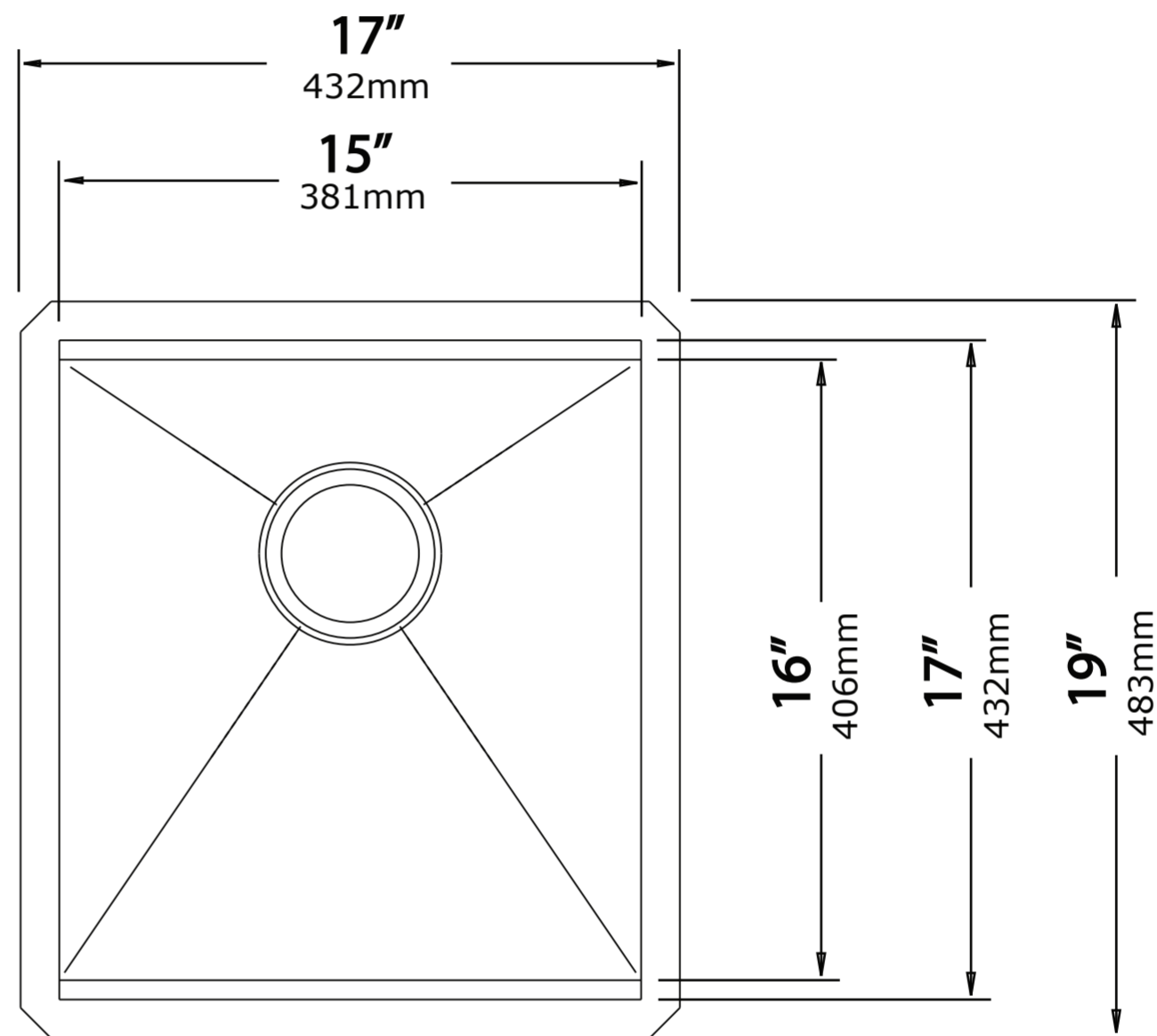
Kräus®

www.kraususa.com

Model No.
KWU111-17
KWU1101-17-PGM

Undermount Cut-out

Pro Hotline: 516.801.8955
Customer Service: 800.775.0703



NOTE: Cutout template is provided as a guide **ONLY** and must be checked against actual sink to verify correct fit.

Please tear perforated edge for zero / flushed reveal →

Please use outer edge for positive reveal 3/8" →